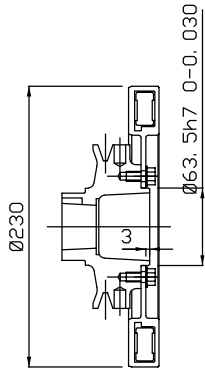
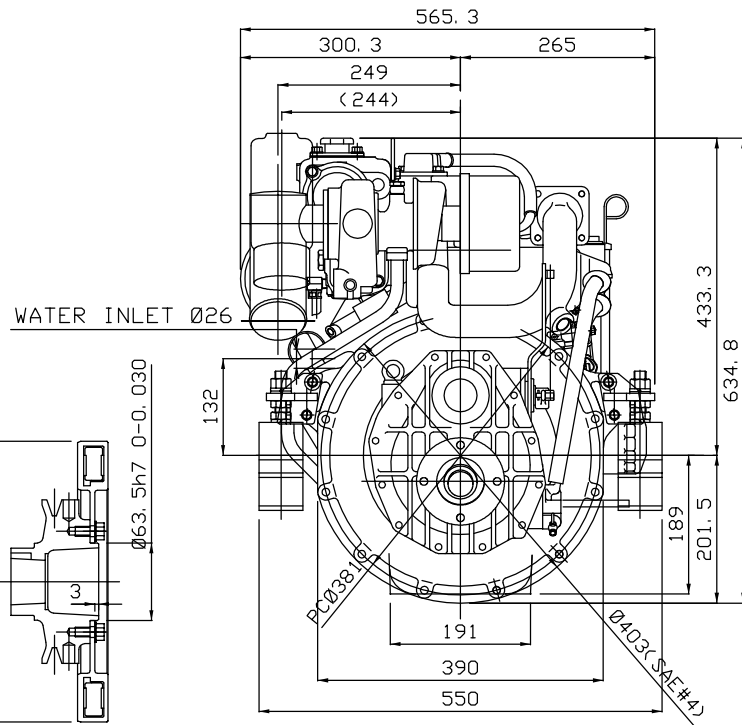
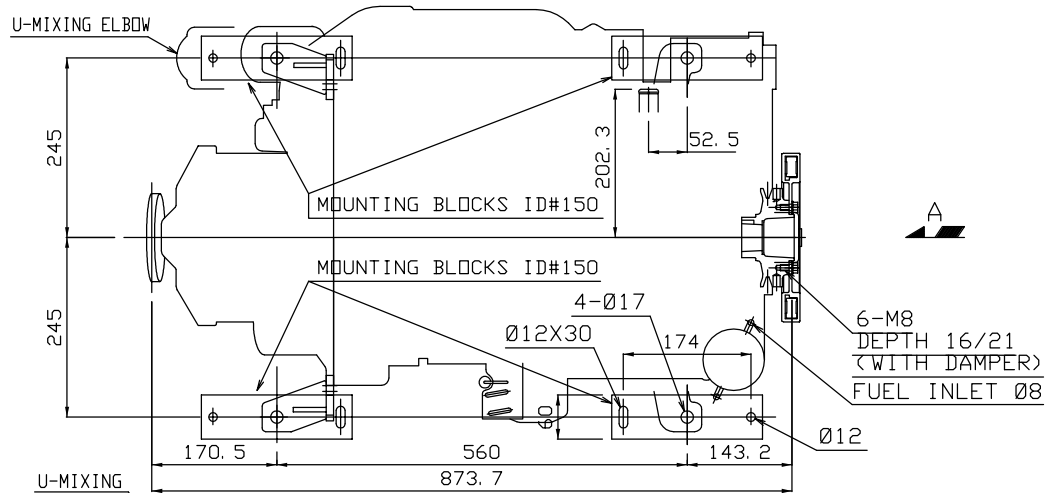
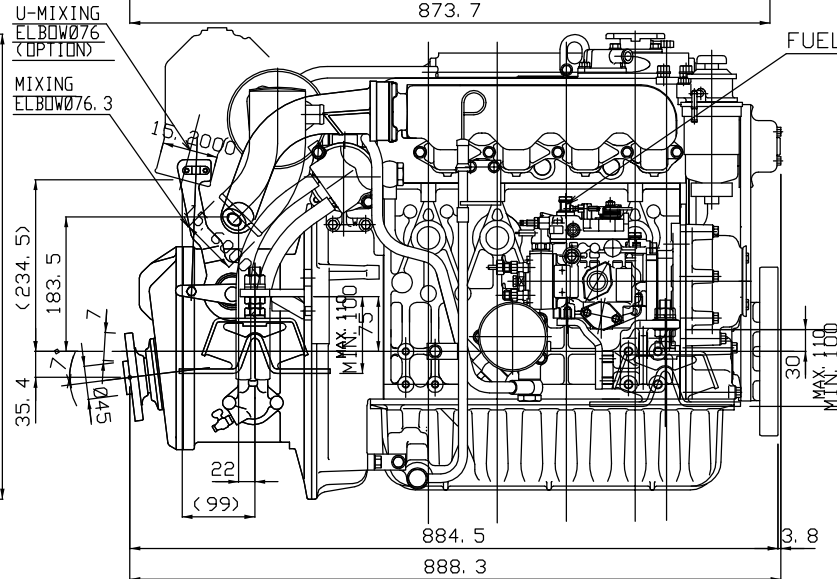


DETAIL OF COUPLING
SCALE 1/3

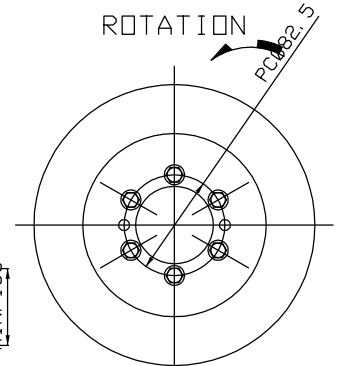


DETAIL OF PULLEY (SCALE 1/3)



FUEL OVERFLOW Ø8

ROTATION



DETAIL OF PULLEY
(SCALE 1/3)
VIEW IN DIRECTION OF ARROW A

NOTE

1. DWG. SHOWS MOUNTING BLOCKS AT ORIGINAL HEIGHT. THE HEIGHT WILL BE DOWNED APPROXIMATELY 4 MM FOLLOWING COMPRESSED MOUNTING BLOCKS.
2. WHEN DESIGNING ENGINE BED, CONSIDER THE CLEARANCE BETWEEN L. D. RETURN PIPE AND ENGINE BED, SHOWN BY *. THE FIGURE 12 MM SHOWS CLEARANCE AT THE MIDDLE HEIGHT OF MOUNTING BLOCKS AND MINIMUM CLEARANCE IS 8 MM.
3. ALL DIMENSIONS ARE IN MILLIMETERS

Scale 1/5 (1/3)	YANMAR MARINE INTERNATIONAL 24 April 2005	4JH3-T-4JH3-TE WITH KM4A1
GROUP, USER=EM2, MT01		