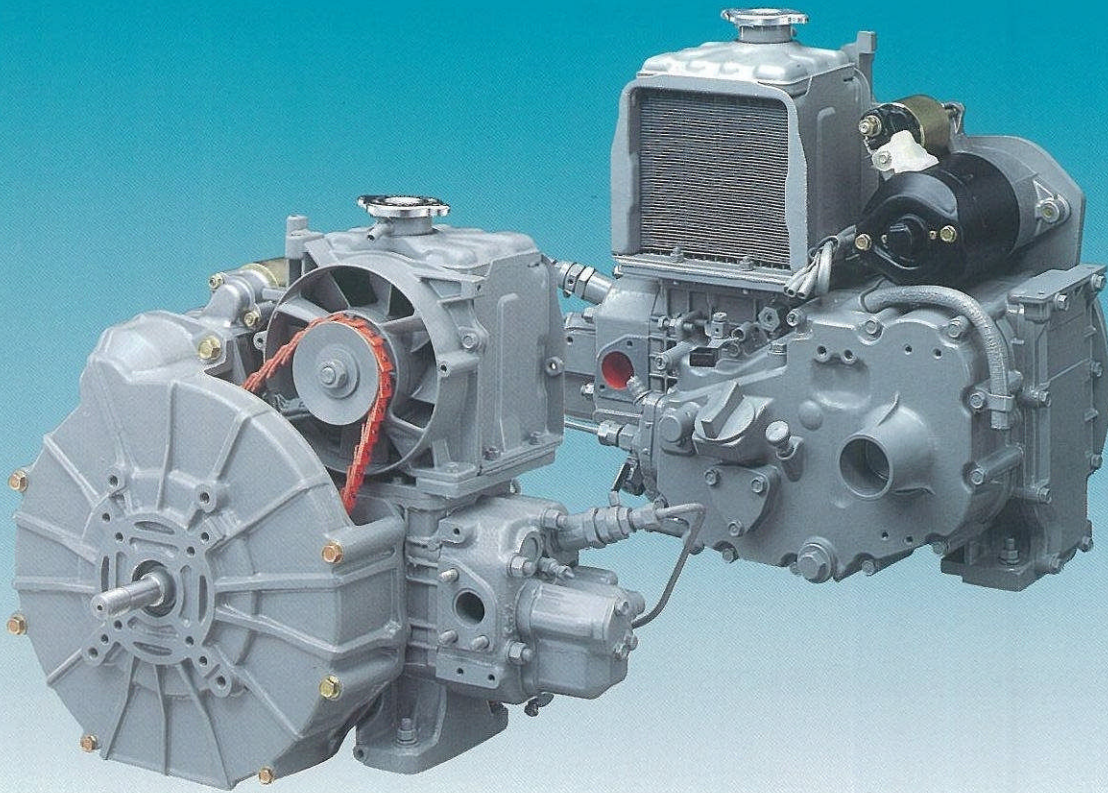


Kubota

KUBOTA WATER-COOLED DIESEL ENGINE



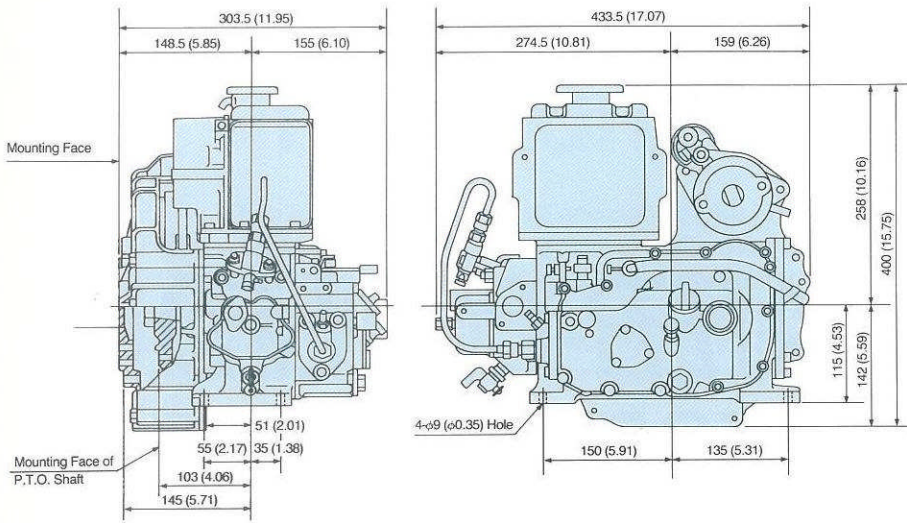
EB Series

Displacement Range: 212 to 624 cc

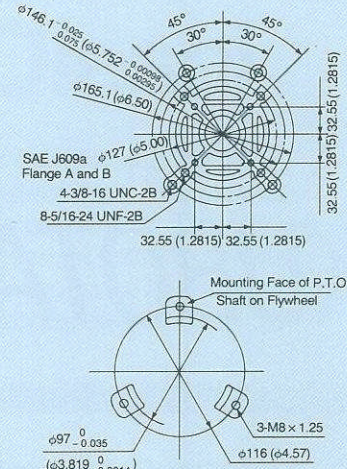
Maximum Output Range: 4.0 to 15.0 HP

DIMENSIONS mm (inch)

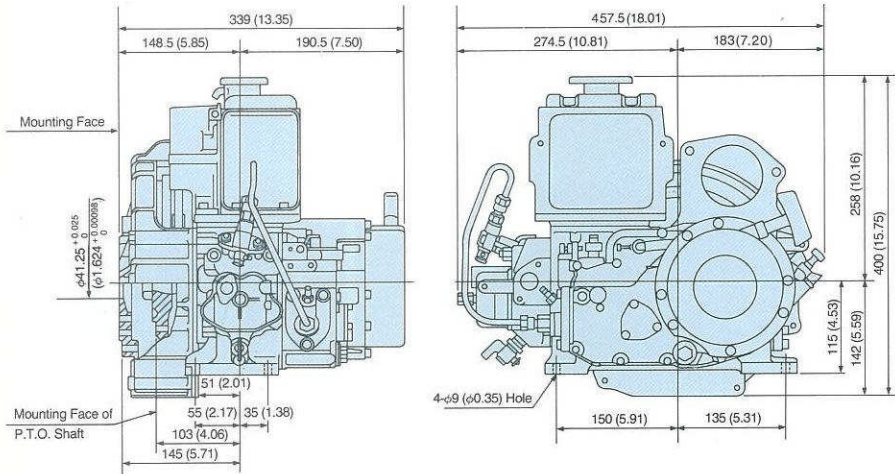
MODEL: EB200-SAE



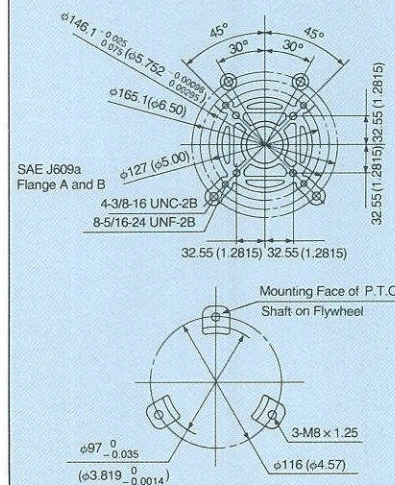
Mounting Face



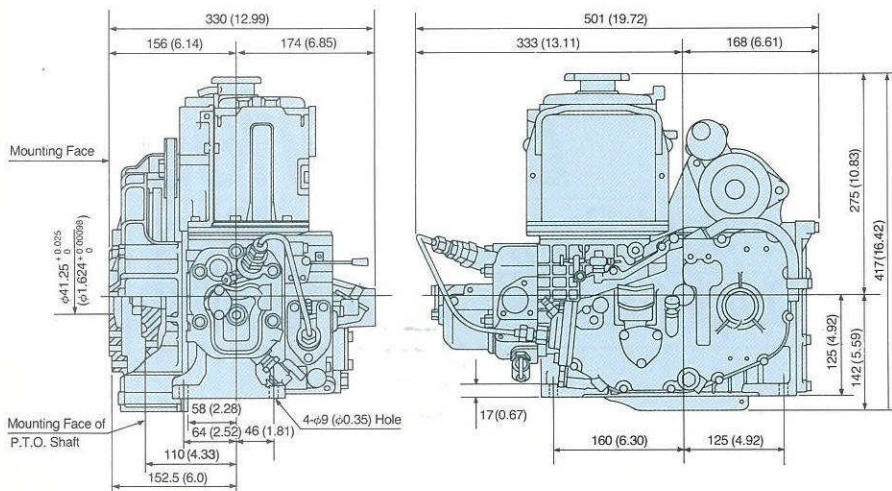
MODEL: EB200R-SAE



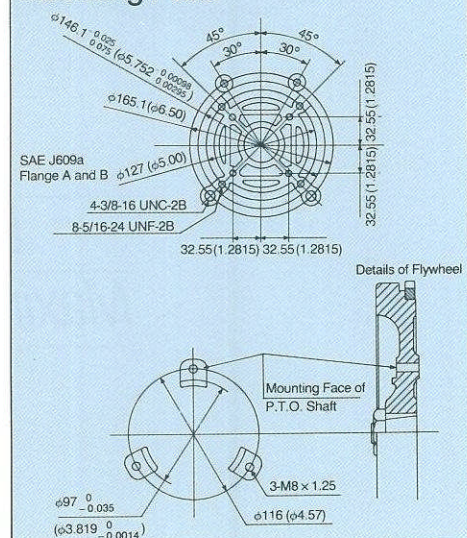
Mounting Face



MODEL: EB300-SAE

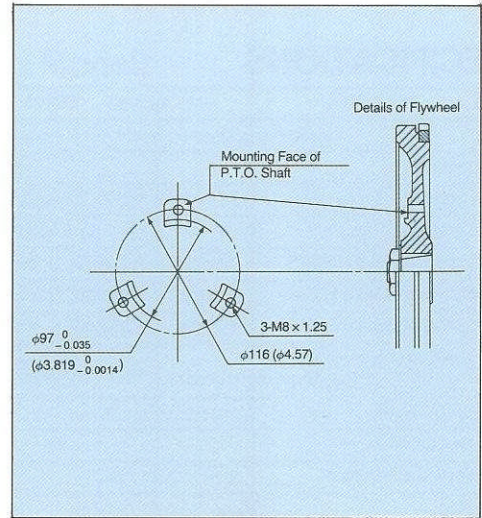
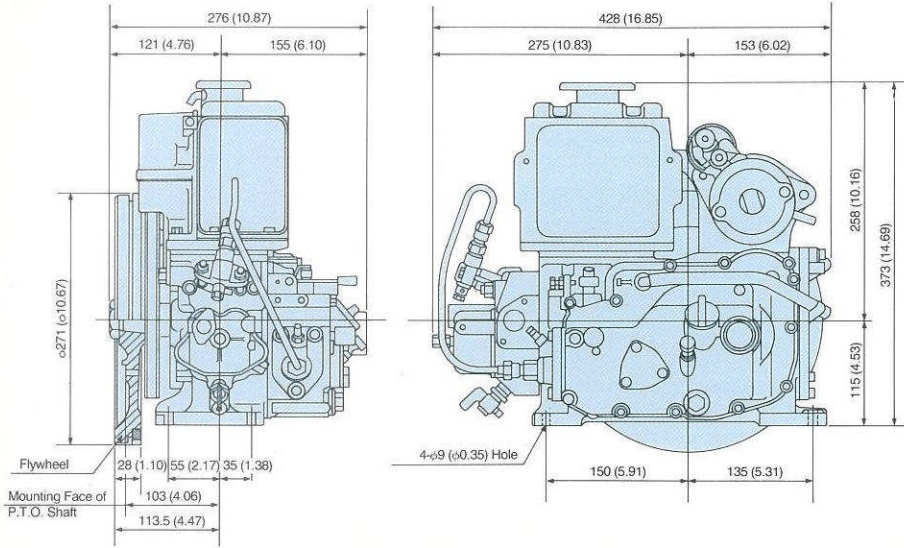


Mounting Face

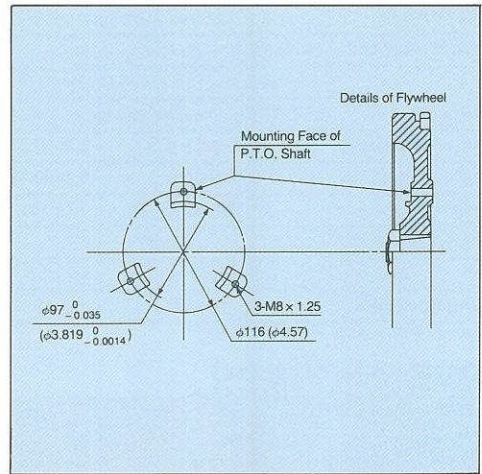
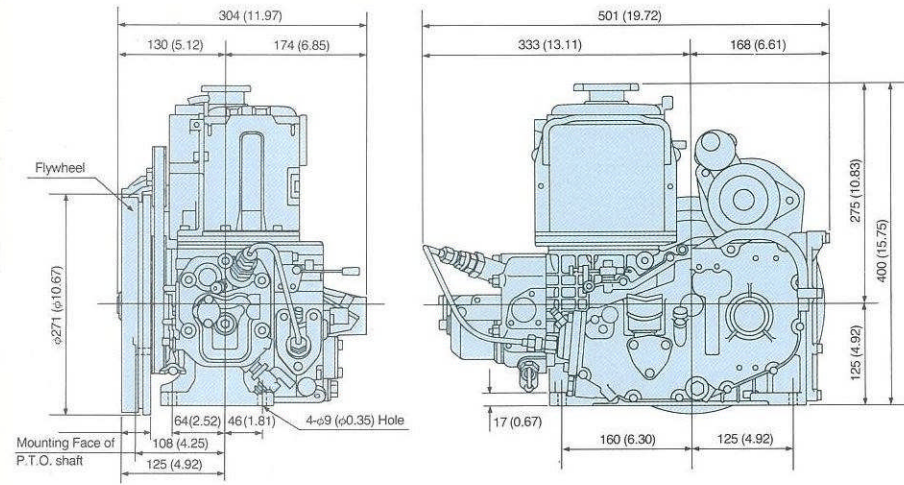


DIMENSIONS mm (inch)

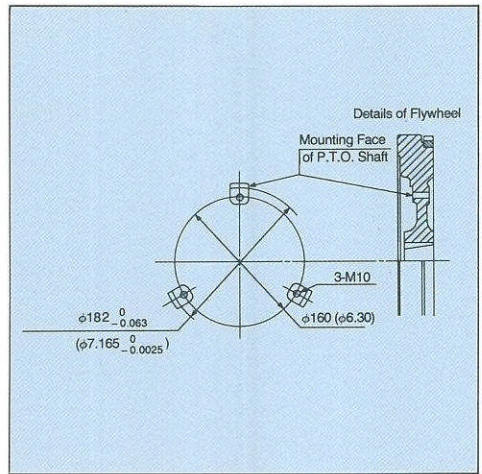
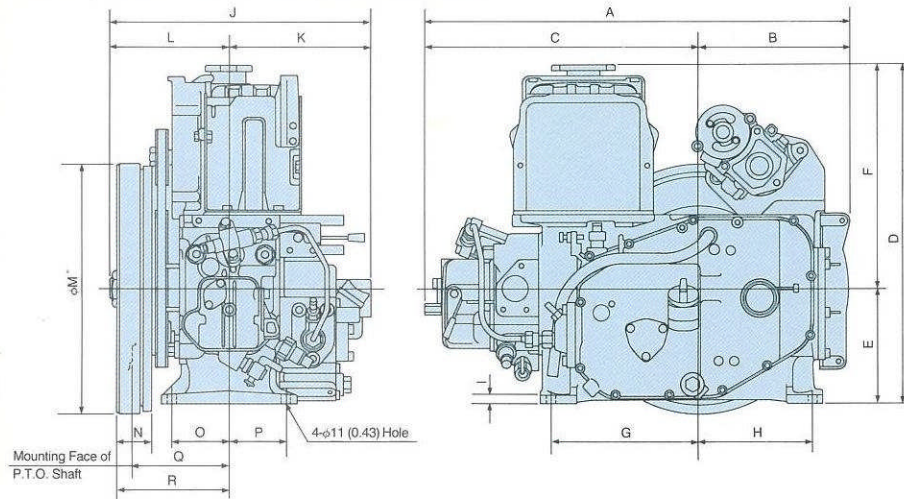
MODEL: EB200



MODEL: EB300



MODEL: EB400 / EB500 / EB600



MODEL	A	B	C	D	E	F	G	H	I	J	K	L	M	N	O	P	Q	R
EB400	527	187	340	419	140	279	182	141	15	318	171	147	$\phi 310$	43	70	70	120	138
	(20.75)	(7.36)	(13.39)	(16.50)	(5.51)	(10.98)	(7.17)	(5.55)	(0.59)	(12.52)	(6.73)	(5.79)	($\phi 12.20$)	(1.69)	(2.76)	(2.76)	(4.72)	(5.43)
EB500	531	174	357	449	150	299	199	124	15	358	196	162	$\phi 326$	47	72	98	132.5	154
	(20.91)	(6.85)	(14.06)	(17.68)	(5.91)	(11.77)	(7.83)	(4.88)	(0.59)	(14.09)	(7.72)	(6.38)	($\phi 12.83$)	(1.85)	(2.83)	(3.86)	(5.22)	(6.06)
EB600	562	182	380	455	155	300	212	111	16	370	202	168	$\phi 345$	57	75	95	135.5	162
	(22.13)	(7.17)	(14.96)	(17.91)	(6.10)	(11.81)	(8.35)	(4.37)	(0.63)	(14.57)	(7.95)	(6.61)	($\phi 13.58$)	(2.24)	(2.95)	(3.74)	(5.33)	(6.38)

Above dimensions may be changed without notice

Fuel Consumption

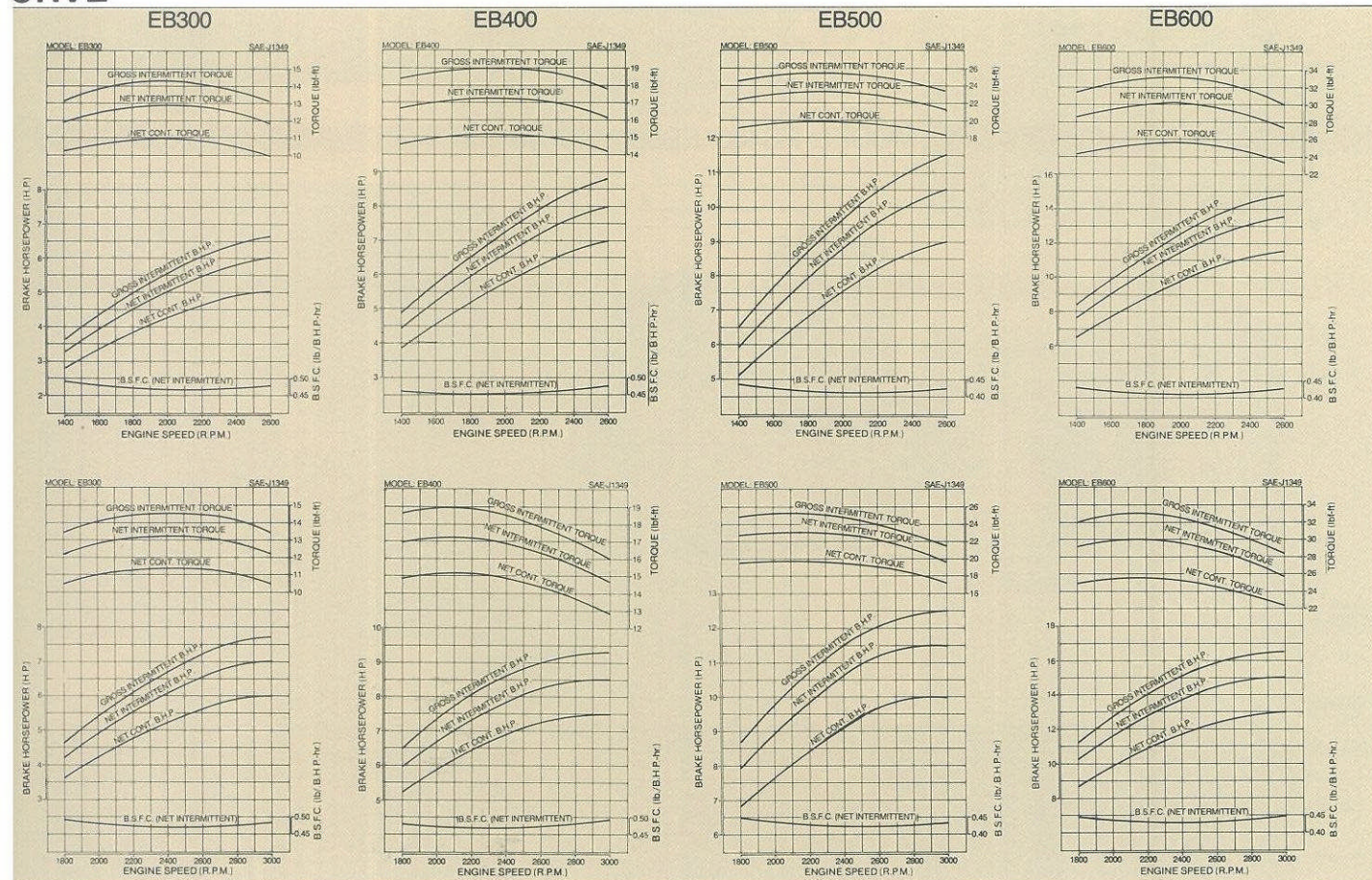
PECIFICATIONS

Model	EB200	EB300	EB400	EB500	EB600
Type	Horizontal, water-cooled 4-cycle diesel engine				
No. of cylinder	1				
Bore x Stroke [in (mm)]	2.60 x 2.45 (66 x 62.2)	2.95 x 2.76 (75 x 70)	3.15 x 2.95 (80 x 75)	3.39 x 3.31 (86 x 84)	3.70 x 3.54 (94 x 90)
Displacement [cu. in. (cc)]	12.94 (212)	18.86 (309)	22.94 (376)	29.72 (487)	38.08 (624)
AE Gross Intermittent B.H.P. [HP/rpm]	4.4/2600* / 5/3000**	7.4/2600* / 7.7/3000**	8.8/2600* / 9.3/3000**	11.5/2600* / 12.5/3000**	14.8/2600* / 16.5/3000**
AE Net Intermittent B.H.P. [HP/rpm]	4.0/2600* / 4.5/3000**	6/2600* / 7.0/3000**	8.0/2600* / 8.5/3000**	10.5/2600* / 11.5/3000**	13.5/2600* / 15/3000**
AE Net Continuous B.H.P. [HP/rpm]	3.5/2600* / 4/3000**	5/2600* / 6.0/3000**	7.0/2600* / 7.5/3000**	9.0/2600* / 10/3000**	11.5/2600* / 13/3000**
Net Intermittent maximum torque [lbf·ft/rpm (kgf·m/rpm)]	8.68/2200 (1.20/2200)	13/2000* (1.80/2000)*	13.24/2400** (1.83/2400)**	17.24/2000* (2.38/2000)*	17.24/2200** (2.38/2200)**
Combustion system	TVCS (Three-Vortex Combustion System)				
Compression ratio	24	23	24	23	21
Fuel injection pump type	Bosch "mini" type				
Nozzle type	Bosch "throttle" type				
Fuel injection pressure [lbf/in. ² (kg/cm ²)]	1991 (140)				
Injection timing	TC—20°	TC—23°		TC—20°	
Cooling system	Radiator				
Lubricating system	Forced lubricating by trochoid pump				
Direction of revolution	Counterclockwise (from flywheel side)				
Fuel	ASTM No. 2 diesel fuel or equivalent				
Lubrication oil	Quality better than API service CC class				
Cooling water capacity [US gal. (ℓ)]	0.24 (0.9)	0.32 (1.2)	0.34 (1.3)	0.42 (1.6)	0.55 (2.1)
Lubricating oil capacity [US gal. (ℓ)]	0.24 (0.9)	0.34 (1.3)	0.61 (2.3)	0.63 (2.4)	0.74 (2.8)
Dry weight [lbs. (kg)]	77.2 (35)	105.8 (48)	147.7 (67)	180.8 (82)	213.8 (97)
Starting system	Cell starting				
Alternator [V x kW]	12 x 0.8		12 x 1.0		12 x 1.4
Charging generator [V x W]	12 x 40				

*Low speed model **High speed model

Specifications subject to change without notice.

CURVE



Higher Output at Lower

SPECIFICATIONS (Direct Coupling Model)

Model	EB200-SAE	EB200R-SAE	EB300-SAE
Type	Horizontal, water-cooled 4-cycle diesel engine		
No. of cylinder	1		
Bore x Stroke [in (mm)]	2.60 x 2.45 (66 x 62.2)		2.95 x 2.76 (75 x 70)
Displacement [cu. in. (cc)]	12.94 (212)		18.86 (309)
SAE Gross Intermittent B.H.P. [HP/rpm]	4.4/2600*	5/3000**	4.4/2600* 5/3000** 7.4/2600* 7.7/3000**
SAE Net Intermittent B.H.P. [HP/rpm]	4.0/2600*	4.5/3000**	4.0/2600* 4.5/3000** 6/2600* 7.0/3000**
SAE Net Continuous B.H.P. [HP/rpm]	3.5/2600*	4/3000**	3.5/2600* 4/3000** 5/2600* 6.0/3000**
Net Intermittent maximum torque [lbf · ft/rpm (kgf · m/rpm)]	8.68/2200 (1.20/2200)		13/2000* 13.24/2400** (1.80/2000)* (1.83/2400)**
Combustion system	TVCS (Three-Vortex Combustion System)		
Compression ratio	24		23
Fuel injection pump type	Bosch "mini" type		
Nozzle type	Bosch "throttle" type		
Fuel injection pressure [lbf/in. ² (kg/cm ²)]	1991 (140)		
Injection timing	TC-20°		TC-23°
Cooling system	Radiator		
Lubricating system	Forced lubricating by trochoid pump		
Direction of revolution	Counterclockwise (from flywheel side)		
Fuel	ASTM No. 2 diesel fuel or equivalent		
Lubrication oil	Quality better than API service CC class		
Cooling water capacity [US gal. (ℓ)]	0.24 (0.9)		0.32 (1.2)
Lubricating oil capacity [US gal. (ℓ)]	0.24 (0.9)		0.34 (1.3)
Dry weight [lbs. (kg)]	88.2 (40)	81.6 (37)	119.1 (54)
Starting system	Cell starting	Recoil	Cell starting
Starter [V x kW]	12 x 0.8	—	12 x 0.8
Charging generator [V x W]	12 x 40	—	12 x 40

*Low speed model **High speed model

EB200-SAE

EB200R-SAE

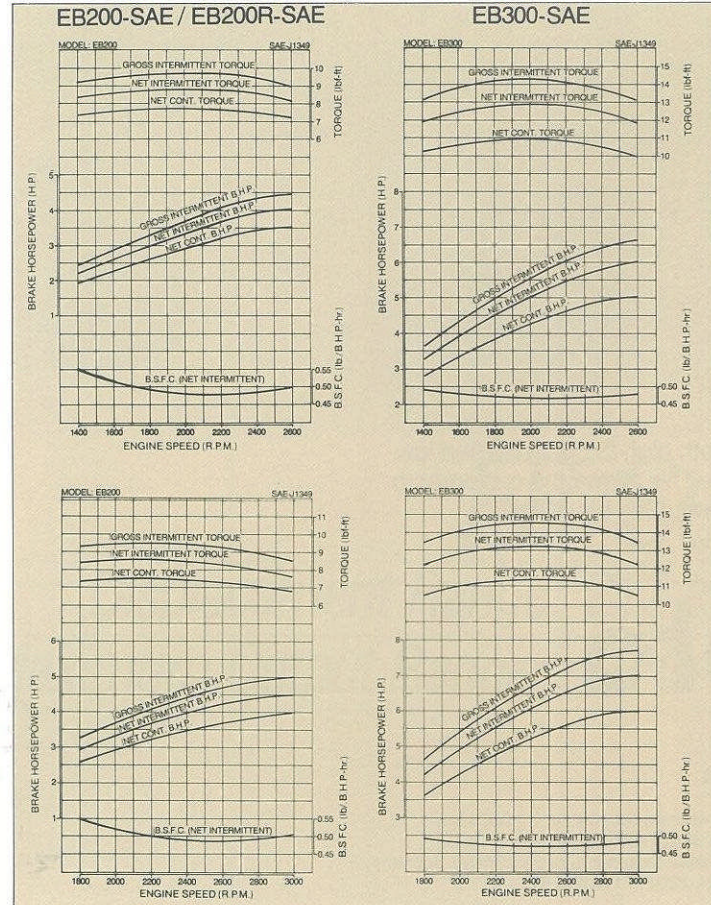
EB300-SAE

EB200

EB300

EB400

PERFORMANCE CURVE



PERFORMANCE

