

KEY	DESCRIPTION	PART NUMBER	QTY	MATERIAL	VW PART NUMBER
1	ADAPTOR	50196-0000	1	----	044 145 249
2	BEARING - BALL	SP2600-0500	2	SKF 6303-2RS1	065 121 273
3	BODY	50214-1100	1	50214-8300 BODY CASTING	065 121 037
4	CAM	53082-0000	1	BRASS CZ122, BS2872	065 121 122
5	ENDCOVER	50215-0000	1	BRASS, CZ108, BS2870	065 121 020
6	HEX HEAD SCREW	X3001-176F	4	STAINLESS STEEL	065 121 953
7	IMPELLER	17937-0101	1	NEOPRENE, BRASS INSERT	065 121 021
8	LIPSEAL	SP2700-1027	1	NITRILE, SS SPRING	065 121 228
9	O RING (2.4 x 15.6)	X4020-215A	1	NITRILE	065 127 248A
10	O RING (2.4 x 69.6)	X4020-269A	1	NITRILE	065 127 248
11	RETAINING RING	SP1701-438	1	CARBON STEEL	065 127 199
12	ROLL PIN	SP3100-10	1	STAINLESS STEEL	065 121 200
13	SCREW	X3004-174F	1	STAINLESS STEEL	065 129 289
14	SHAFT	50217-0200	1	STAINLESS STEEL 1.4404	065 121 236
15	SPLINE SEAL	4345	1	NEOPRENE	065 121 675
16	WEARPLATE	4156	1	BRASS CZ108	065 121 543

PACKAGING ITEMS		
CARTON	PC100-0007	1
LABEL - CARTON	23007-5212	1

QUALIFICATION TEST SPECIFICATION.

PUMP SPEED: 2460 rpm ± 10 rpm.  
 INLET PRESSURE: -0.001 bar OR LES.  
 DISCHARGE PRESSURE: 0.45 bar OR HIGHER  
 MINIMUM FLOW RATE: 120 L/min.  
 TEST MEDIUM: WATER

PRODUCTION TEST SPECIFICATION

PUMP SPEED: 1450 rpm  
 DIFFERENTIAL PRESSURE: 1 bar  
 MINIMUM FLOW RATE: 58 L/min  
 TEST MEDIUM: WATER

SERVICE KIT SK425-0001. VW PART NUMBER 065 198 243.

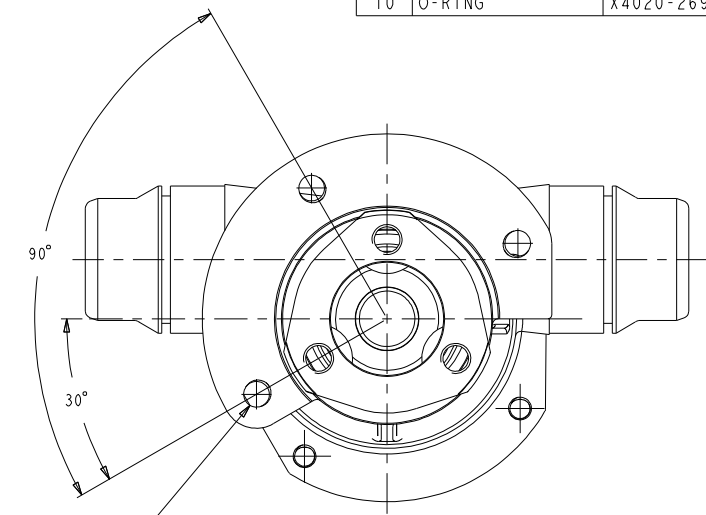
KEY	DESCRIPTION	PART NUMBER	QTY	VW PART NUMBER
15	SPLINE SEAL	4345	1	065 121 675
7	IMPELLER	17937-0101	1	065 121 021
10	O-RING	X4020-269A	1	065 127 248
	GASKET	890	1	065 121 290

SERVICE KIT SK425-0011. VW PART NUMBER 065 198 243A.

	DESCRIPTION	PART NUMBER	QTY	VW PART NUMBER
	SPLINE SEAL	4345	1	065 121 675
7	IMPELLER	17937-0101	1	065 121 021
8	LIPSEAL	SP2700-1027	1	065 121 228
6	HEX HEAD SCREW	X3001-176F	4	065 121 953
10	O-RING	X4020-269A	1	065 127 248
	GASKET	890	1	065 121 290

SERVICE KIT SK425-0031. VW PART NUMBER 065 198 243C

KEY	DESCRIPTION	PART NUMBER	QTY	VW PART NUMBER
16	WEARPLATE	4156	1	065 121 543
5	ENDCOVER	50215-0000	1	065 121 020
4	CAM	53082-0000	1	065 121 122
13	SCREW	X3004-174F	1	065 129 289
10	O-RING	X4020-269A	1	065 127 248



<b>Jabco</b> <b>xylem</b> SINGLEY ROAD, HODDESDON HERTS, EN11 0BU, ENGLAND (0)1992 450145 www.jabco.com	UNLESS OTHERWISE STATED DIMENSIONS ARE IN MM TOLERANCES UNLESS OTHERWISE STATED ARE: DECIMALS X.X ±. X.XX ±. X.XX ±. ANGULAR ±°.	SCALE: 1.000	MATERIAL: ----
		DRAWN: B. STOCK CHKD/APPD: S. CURRIE	TITLE: INSTALLATION / ASSEMBLY DRAWING NO.: 50210-1101
		26/4/01	29/11/07
			2002

K	011856	26/09/12
J	008046	13/01/11
H	003991	02.12.08
G	001455	28/11/07
ISSUE	ECN No.	DATE