

KUBOTA

Workshop Manual

05 Series

Diesel Engine

TO THE READER

This Workshop Manual has been prepared to provide servicing personnel with information on the mechanism, service and maintenance of KUBOTA Diesel Engines 05 SERIES. It is divided into two parts, "Mechanism" and "Disassembling and Servicing" for each section.

■ Mechanism

Information on the construction and function are included for each engine section. This part should be understood before proceeding with troubleshooting, disassembling and servicing.

■ Disassembling and Servicing

Under the heading "General" section comes general precautions, troubleshooting, lists of servicing specifications and periodic inspection items. For each engine section, there are "Checking and Adjustment", "Disassembling and Assembling", and "Servicing" which cover procedures, precautions, factory specification and allowable limits.

All the engines that have been manufactures since January of 1994 are clean exhaust engines.

The mark [E] in the WSM refers to the said clean engine.

All information, illustrations and specifications contained in this manual are based on the latest production information available at the time of publication.

The right is reserved to make changes in all information at any time without notice.

Due to covering many models of this manual, illustration or picture being used have not been specified as one model.

May '96

© KUBOTA Corporation 1996

01640Z00040

SAFETY FIRST

This symbol, the industry's "Safety Alert Symbol", is used throughout this manual and decals on the engine itself to warn of the possibility of personal injury. Read these instructions carefully.

It is essential that you read the instructions and safety regulations before you attempt to repair or use this unit.



DANGER : Indicates an imminently hazardous situation which, if not avoided, will result in death or serious injury.



WARNING: Indicates a potentially hazardous situation which, if not avoided, could result in death or serious injury.



CAUTION : Indicates a potentially hazardous situation which, if not avoided, may result in minor or moderate injury.

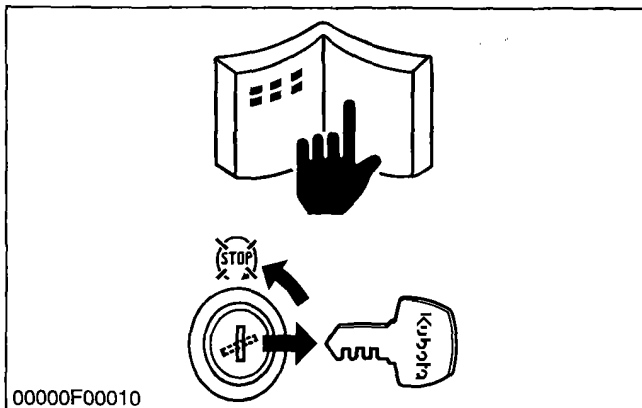


IMPORTANT : Indicates that equipment or property damage could result if instructions are not followed.



NOTE : Gives helpful information.

00000Z00011



00000F00010

BEFORE SERVICING AND REPAIRING

- (1) Read all instructions and safety instructions in this manual and on your engine safety decals.
- (2) Clean the work area and engine.
- (3) Place the engine on a firm and level ground.
- (4) allow the engine to cool before proceeding.
- (5) Stop the engine, and remove the key.
- (6) Disconnect the battery negative cable.

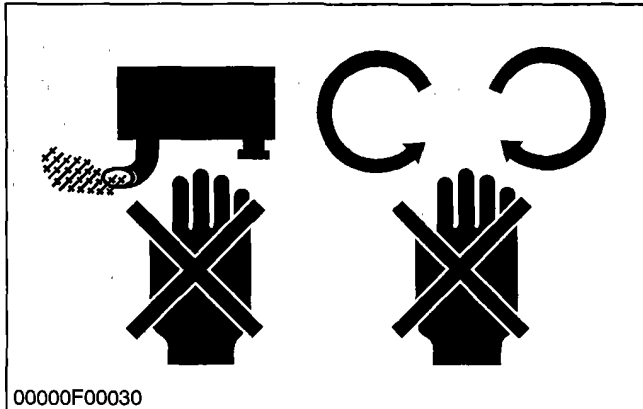
00000Z00021



SAFETY STARTING

- (1) Do not start the engine by shorting across starter terminals.
- (2) Unauthorized modifications to the engine may impair the function and / or safety and affect engine life.

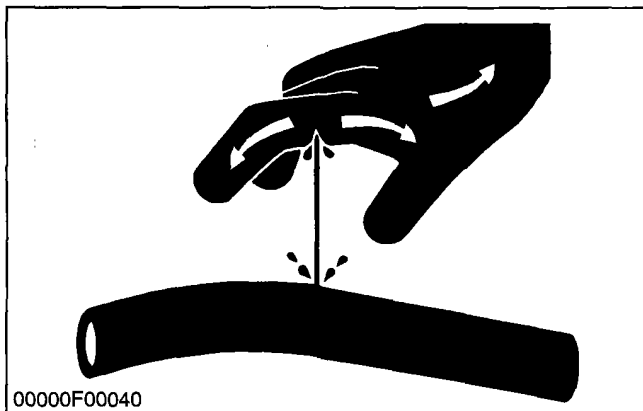
00000Z00031



SAFETY WORKING

- (1) Do not work on the engine **while** under the influence of alcohol, medication, or **other substances** or while fatigued.
- (2) Wear close fitting clothing and safety equipment appropriate to the job.
- (3) Use tools appropriate to the work. Makeshift tools, parts, and procedures are not recommended.
- (4) When servicing is performed together by two or more persons, take care to perform all work safely.
- (5) Do not touch the rotating or hot parts while the engine is running.
- (6) Never remove the radiator cap while the engine is running, or immediately after stopping. Otherwise, hot water will spout out from radiator. Only remove radiator cap when cool enough to touch with bare hands. Slowly loosen the cap to first stop to relieve pressure before removing completely.
- (7) Escaping fluid (fuel or hydraulic oil) under pressure can penetrate the skin causing serious injury. Relieve pressure before disconnecting hydraulic or fuel lines. Tighten all connections before applying pressure.
- (8) Wear a suitable hearing protective device such as earmuffs or earplugs to protect against objectionable or uncomfortable loud noises.

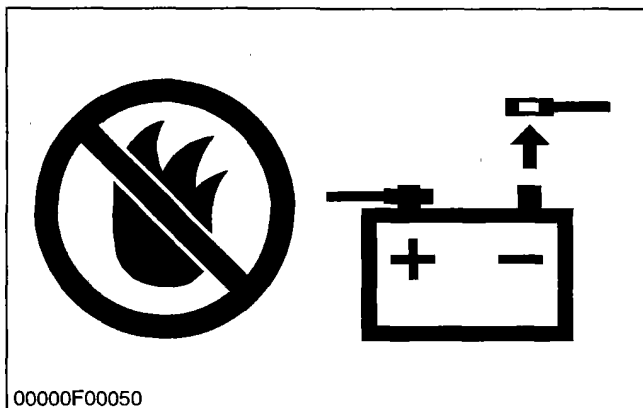
00000Z00041

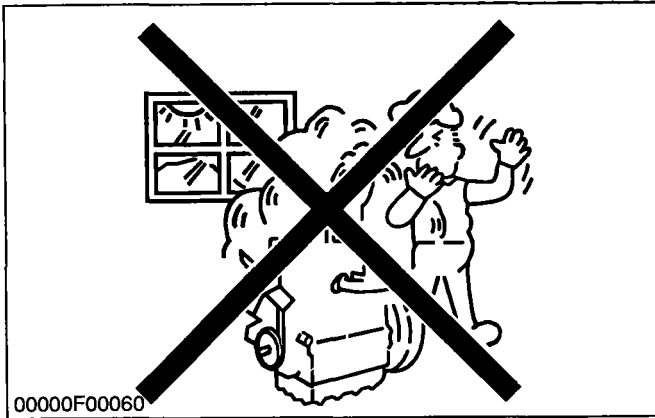


AVOID FIRES

- (1) Fuel is extremely flammable and explosive under certain conditions. Do not smoke or allow flames or sparks in your working area.
- (2) To avoid sparks from an accidental short circuit, **always** disconnect the battery negative cable first and connect it last.
- (3) Battery gas can explode. Keep sparks and open flame away from the top of battery, especially when charging the battery.
- (4) Make sure that no fuel has been spilled on the engine.

00000Z00050

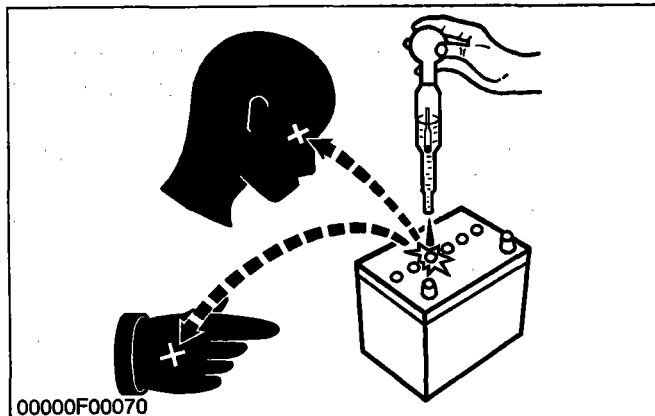




VENTILATE WORK AREA

- (1) If the engine must be running to do same work, make sure the area is well ventilated. Never run the engine in a closed area. The exhaust gas contains poisonous carbon monoxide.

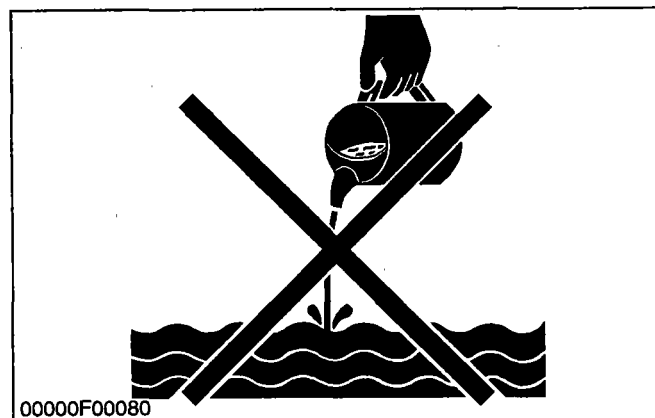
00000Z00060



PREVENT ACID BURNS

- (1) Sulfuric acid in battery electrolyte is poisonous. It is strong enough to burn skin, clothing and cause blindness if splashed into eyes. Keep electrolyte away from eyes, hands and clothing. If you spill electrolyte on yourself, flush with water, and get medical attention immediately.

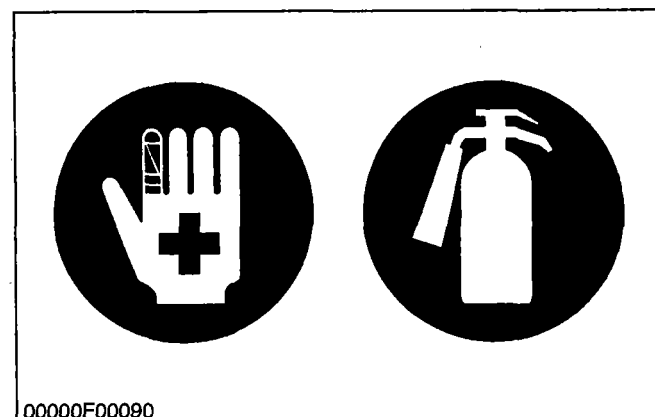
00000Z00070



DISPOSE OF FLUIDS PROPERLY

- (1) Do not pour fluids into the ground, down a drain, or into a stream, pond, or lake. Observe relevant environmental protection regulations when disposing of oil, fuel, coolant, electrolyte and other harmful waste.

00000Z00080



PREPARE FOR EMERGENCIES

- (1) Keep a first aid kit and fire extinguisher handy at all times.
- (2) Keep emergency numbers for doctors, ambulance service, hospital and fire department near your telephone.

00000Z00090

SPECIFICATIONS

Model		D905-B (E)		D1005-B (E)		V1205-B (E)		V1205-T-B (E)		V1305-B (E)		
Number of cylinders		3				4						
Type		Vertical, water-cooled, 4-cycle diesel engine										
Bore x stroke mm (in.)		72 x 73.6 (2.83 x 2.90)		76 x 73.6 (2.99 x 2.90)		72 x 73.6 (2.83 x 2.90)		76 x 73.6 (2.99 x 2.90)		76 x 73.6 (2.99 x 2.90)		
Total displacement cm ³ (cu. in.)		898 (54.86)		1001 (61.08)		1198 (73.10)		1198 (73.10)		1335 (81.46)		
Brake Horsepower	SAE net cont.	kW/rpm (HP/rpm)	12.7/3000 (17.0/3000)	15.3/3600 (20.5/3600)	14.2/3000 (19.0/3000)	16.8/3600 (22.5/3600)	17.2/3000 (23.0/3000)	20.1/3600 (27.0/3600)	21.6/3000 (29.0/3000)	25.7/3600 (34.5/3600)	19.0/3000 (25.5/3000)	22.4/3600 (30.0/3600)
	SAE net intermittent	kW/rpm (HP/rpm)	14.9/3000 (20.0/3000)	17.5/3600 (23.5/3600)	16.8/3000 (22.5/3000)	19.4/3600 (26.0/3600)	20.1/3000 (27.0/3000)	23.5/3600 (31.5/3600)	25.4/3000 (34.0/3000)	29.8/3600 (40.0/3600)	22.4/3000 (30.0/3000)	25.7/3600 (34.5/3600)
	SAE gross intermittent	kW/rpm (HP/rpm)	16.8/3000 (22.5/3000)	19.4/3600 (26.0/3600)	18.7/3000 (25.0/3000)	21.6/3600 (29.0/3600)	22.4/3000 (30.0/3000)	26.1/3600 (35.0/3600)	28.0/3000 (37.5/3000)	32.8/3600 (44.0/3600)	25.0/3000 (33.5/3000)	28.7/3600 (38.5/3600)
	DIN6271-NA	kW/rpm (ps/rpm)	12.5/3000 (17.0/3000)	15.1/3600 (20.5/3600)	14.0/3000 (19.0/3000)	16.5/3600 (22.5/3000)	16.9/3000 (23.0/3000)	19.9/3600 (27.0/3600)	21.3/3000 (29.0/3000)	25.4/3600 (34.5/3600)	18.8/3000 (25.5/3000)	22.1/3600 (30.0/3600)
	DIN6271-NB	kW/rpm (ps/rpm)	14.3/3000 (19.5/3000)	16.5/3600 (22.5/3600)	15.8/3000 (21.5/3000)	18.4/3600 (25.0/3600)	19.1/3000 (26.0/3000)	22.1/3600 (30.0/3600)	24.3/3000 (33.0/3000)	28.3/3600 (38.5/3600)	21.3/3000 (29.0/3000)	24.6/3600 (33.5/3600)
	DIN70020	kW/rpm (ps/rpm)	15.4/3000 (21.0/3000)	18.4/3600 (25.0/3600)	17.3/3000 (23.5/3000)	20.2/3600 (27.5/3600)	21.0/3000 (28.5/3000)	24.3/3600 (33.0/3600)	26.5/3000 (36.0/3000)	31.3/3600 (42.5/3600)	23.2/3000 (31.5/3000)	26.8/3600 (36.5/3600)
Maximum bare speed rpm		3200	3800	3200	3800	3200	3800	3200	3800	3200	3800	
Minimum idling speed rpm		600										
Maximum torque		N·m/rpm kgf·m/rpm ft·lbs/rpm	53.8/2000 5.49/2000 39.71/2000	52.8/2400 5.38/2400 38.91/2400	60.6/2000 6.18/2000 44.7/2000	58.4/2400 5.95/2400 43.0/2400	72.7/2000 7.41/2000 53.60/2000	70.7/2400 7.21/2400 52.15/2400	91.5/2000 9.33/2000 67.48/2000	89.7/2400 9.15/2400 66.18/2400	80.8/2000 8.24/2000 59.60/2000	77.4/2400 7.89/2400 57.07/2400
Combustion Chamber		Spherical type										
Fuel injection pump		Bosch MD type mini pump										
Governor		Centrifugal mechanical governor										
Direction of rotation		Counter-clockwise (viewed from flywheel side)										
Injection nozzle		Mini nozzle (DNOFD)										
Injection timing	Without timer	18 to 20° (0.31 to 0.35 rad.) before T.D.C.	21 to 23° (0.37 to 0.40 rad.) before T.D.C.	18 to 20° (0.31 to 0.35 rad.) before T.D.C.	21 to 23° (0.37 to 0.40 rad.) before T.D.C.	18 to 20° (0.31 to 0.35 rad.) before T.D.C.	21 to 23° (0.37 to 0.40 rad.) before T.D.C.	18 to 20° (0.31 to 0.35 rad.) before T.D.C.	21 to 23° (0.37 to 0.40 rad.) before T.D.C.	18 to 20° (0.31 to 0.35 rad.) before T.D.C.	21 to 23° (0.37 to 0.40 rad.) before T.D.C.	
	With timer	8 to 10° (0.14 to 0.17 rad.) before T.D.C.	9 to 11° (0.16 to 0.19 rad.) before T.D.C.	8 to 10° (0.14 to 0.17 rad.) before T.D.C.	9 to 11° (0.16 to 0.19 rad.) before T.D.C.	8 to 10° (0.14 to 0.17 rad.) before T.D.C.	9 to 11° (0.16 to 0.19 rad.) before T.D.C.	8 to 10° (0.14 to 0.17 rad.) before T.D.C.	9 to 11° (0.16 to 0.19 rad.) before T.D.C.	8 to 10° (0.14 to 0.17 rad.) before T.D.C.	9 to 11° (0.16 to 0.19 rad.) before T.D.C.	
Firing order		1-2-3				1-3-4-2						
Injection pressure		140 kgf/cm ² (13.73 MPa, 1991 psi)										
Compression ratio		22 : 1										
Lubricating system		Forced lubrication by pump										
Oil pressure indicating		Electrical type switch										
Lubricating filter		Full flow paper filter (cartridge type)										
Cooling system		Pressurized radiator, forced circulation with water pump (not included in the basic engine)										
Starting system		Electric starting with starter										
Starting support device		12 V, 0.9 kW	12 V, 1.0 kW	12 V, 1.2 kW								
Battery		12 V, 65 AH, equivalent				12 V, 70 AH, equivalent						
Dynamo for charging		12 V, 150 W	12 V, 360 W									
Fuel		Diesel fuel No. 2-D (ASTM D975)										
Lubricating oil		MIL-L-46152, MIL-L-2104C, quality better than CD class (API)						Quality better than CE class (API)		Quality better than CD class (API)		
Lubricating oil capacity	125 mm (4.92 in.)	5.1 L (5.39 U.S.qts., 4.49 Imp.qts.)				6.0 L (6.34 U.S.qts., 5.28 Imp.qts.)		6.7 L (7.08 U.S.qts., 5.90 Imp.qts.)		6.0 L (6.34 U.S.qts., 5.28 Imp.qts.)		
	101 mm (3.97 in.)	4.0 L (4.23 U.S.qts., 3.52 Imp.qts.)				4.7 L (4.97 U.S.qts., 4.14 Imp.qts.)		—		4.7 L (4.97 U.S.qts., 4.14 Imp.qts.)		
Weight (Dry) kg (lbs)		93.0 (205.0)				110.0 (242.5)		114.0 (251.3)		110.0 (242.5)		

01640Z00070

Model		D1105-B (E)	V1505-B (E)	D1105-T-B (E)	V1505-T-B (E)
Number of cylinders		3	4	3	4
Type		Vertical, water-cooled, 4-cycle diesel engine			
Bore x stroke mm (in.)		78 x 78.4 (3.07 x 3.09)			
Total displacement cm ³ (cu. in.)		1123 (68.53)	1498 (91.41)	1123 (68.53)	1498 (91.41)
Brake horsepower	SAE net cont. kW/rpm (HP/rpm)	16.4/3000 (22.0/3000)	21.6/3000 (29.0/3000)	20.5/3000 (27.5/3000)	27.2/3000 (36.5/3000)
	SAE net intermittent kW/rpm (HP/rpm)	18.7/3000 (25.0/3000)	25.0/3000 (33.5/3000)	23.5/3000 (31.5/3000)	31.3/3000 (42.0/3000)
	SAE gross intermittent kW/rpm (HP/rpm)	20.9/3000 (28.0/3000)	28.0/3000 (37.5/3000)	26.1/3000 (35.0/3000)	34.7/3000 (46.5/3000)
	DIN6271-NA kW/rpm (ps/rpm)	16.2/3000 (22.0/3000)	21.3/3000 (29.0/3000)	20.2/3000 (27.5/3000)	26.8/3000 (36.5/3000)
	DIN6271-NB kW/rpm (ps/rpm)	17.6/3000 (24.0/3000)	23.5/3000 (32.0/3000)	22.4/3000 (30.5/3000)	29.8/3000 (40.5/3000)
	DIN70020 kW/rpm (ps/rpm)	19.5/3000 (26.5/3000)	26.1/3000 (35.5/3000)	24.6/3000 (33.5/3000)	32.7/3000 (44.5/3000)
Maximum bare speed rpm		3200			
Minimum idling speed rpm		850 to 950			
Maximum torque N·m/rpm kgf·m/rpm ft·lbs/rpm		68.3/2000 6.96/2000 50.3/2000	91.5/2000 9.33/2000 67.5/2000	86.0/2000 8.77/2000 63.4/2000	114.7/2000 11.7/2000 84.6/2000
Combustion chamber		Spherical type (E-TVCE)			
Fuel injection pump		Bosch MD type mini pump			
Governor		Centrifugal mechanical governor			
Direction of rotation		Counter-clockwise (viewed from flywheel side)			
Injection nozzle		Mini nozzle (DNOPD)			
Injection timing	Without timer	0.31 to 0.35 rad. (18 to 20°) before T.D.C.			
	With timer	0.14 to 0.17 rad. (8 to 10°) before T.D.C.	0.21 to 0.24 rad. (12 to 14°) before T.D.C.	0.14 to 0.17 rad. (8 to 10°) before T.D.C.	
Firing order		1-2-3	1-3-4-2	1-2-3	1-3-4-2
Injection pressure		13.73 MPa (140 kgf/cm ² , 1991 psi)			
Compression ratio		22 : 1		22.5 : 1	
Lubricating system		Forced lubrication by pump			
Oil pressure indicating		Electrical type switch			
Lubricating filter		Full flow paper filter (cartridge type)			
Cooling system		Pressurized radiator, forced circulation with water pump (not included in the basic engine)			
Starting system		Electric starting with starter			
		12 V, 1.0 kW	12 V, 1.2 kW	12 V, 1.0 kW	12 V, 1.2 kW
Starting support device		By glow plug in combustion chamber			
Battery		12 V, 65 AH, equivalent	12 V, 70 AH, equivalent	12 V, 65 AH, equivalent	12 V, 56 AH
Dynamo for charging		12 V, 360 W			
Fuel		Diesel fuel No. 2-D (ASTM D975)			
Lubricating oil		MIL-L-46152, MIL-L-2104C, quality better than CD class (API)		Quality better than CE class (API)	
Lubricating oil capacity	125 mm (4.92 in.)	5.1 L (5.39 U.S.qts., 4.49 Imp.qts.)	6.0 L (6.34 U.S.qts., 5.28 Imp.qts.)	5.1 L (5.39 U.S.qts., 4.49 Imp.qts.)	6.7 L (7.08 U.S.qts., 5.90 Imp.qts.)
	101 mm (3.97 in.)	4.0 L (4.23 U.S.qts., 3.52 Imp.qts.)	4.7 L (4.97 U.S.qts., 4.14 Imp.qts.)	4.0 L (4.23 U.S.qts., 3.52 Imp.qts.)	-
Weight (Dry) kg (lbs)		93.0 (205.0)	110.0 (242.5)	97.0 (213.8)	114.0 (251.3)

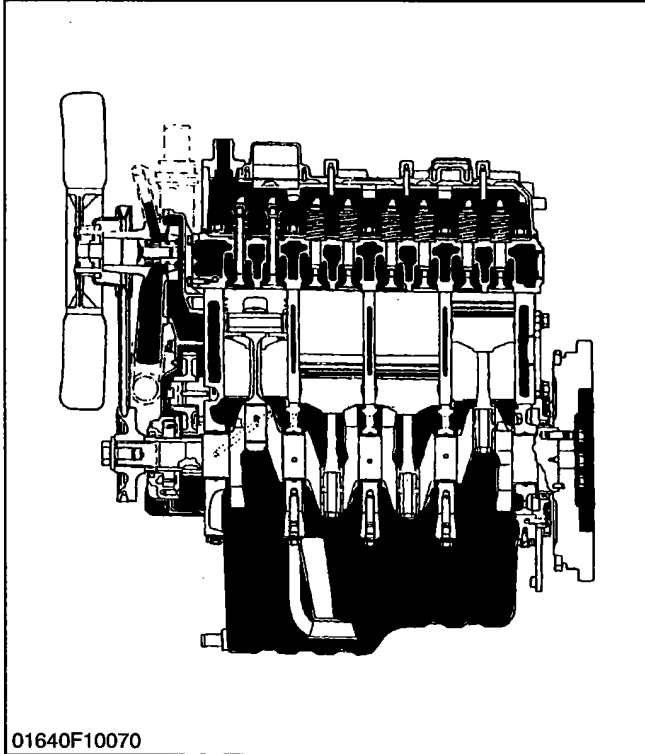
01640Z00100

MECHANISM

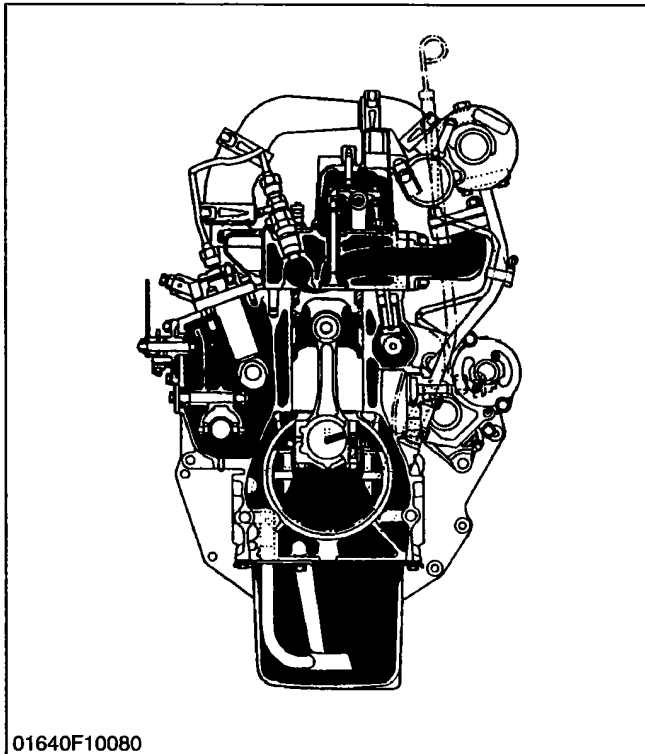
CONTENTS

■	FEATURE	M-1
■	ENGINE BODY	M-3
	[1] CYLINDER BLOCK.....	M-3
	[2] CYLINDER HEAD.....	M-3
	[3] CRANKSHAFT.....	M-5
	[4] PISTON AND PISTON RINGS	M-5
	[5] CONNECTING ROD.....	M-7
	[6] ROCKER ARM.....	M-7
	[7] CAMSHAFT	M-7
	[8] FUEL CAMSHAFT	M-9
	[9] FLYWHEEL.....	M-9
■	LUBRICATING SYSTEM.....	M-11
	[1] GENERAL.....	M-11
	[2] OIL PUMP.....	M-13
	[3] RELIEF VALVE.....	M-13
	[4] OIL FILTER CARTRIDGE.....	M-15
	[5] OIL PRESSURE SWITCH	M-15
■	COOLING SYSTEM.....	M-17
	[1] GENERAL.....	M-17
	[2] WATER PUMP.....	M-17
	[3] THERMOSTAT	M-19
	[4] RADIATOR (not included in the basic engine).....	M-19
	[5] RADIATOR CAP	M-21
■	INTAKE / EXHAUST SYSTEM	M-23
	[1] AIR CLEANER (not included in the basic engine)	M-23
	[2] MUFFLER (not included in the basic engine)	M-23
■	FUEL SYSTEM.....	M-25
	[1] GENERAL.....	M-25
	[2] INJECTION PUMP.....	M-25
	(1) Pump Element.....	M-27
	(2) Delivery Valve	M-27
	(3) Dumping Valve.....	M-29
	(4) Injection Control	M-29
	[3] INJECTION NOZZLE.....	M-31
	[4] FUEL FILTER (not included in the basic model).....	M-31
	[5] GOVERNOR.....	M-33
	[6] AUTOMATIC ADVANCE TIMER (not included in the basic model)	M-37
■	ELECTRICAL SYSTEM.....	M-41
	[1] CHARGING SYSTEM.....	M-41
	(1) Alternator.....	M-41
	(2) IC Regulator	M-41
■	TURBO CHARGER SYSTEM.....	M-43
	(1) Mechanism.....	M-45
	(2) Turbine	M-47
	(3) Compressor.....	M-47
	(4) Bearing.....	M-49
	(5) Seals (Piston Rings).....	M-51

F FEATURE



01640F10070



01640F10080

The 05 SERIES ENGINE are vertical, water-cooled, 4 cycle diesel engines.

They are incorporated KUBOTA's foremost technologies. With KUBOTA's E-TVCS (Three Vortex Combustion System), well-known Bosch MD type injection pump and the well-balanced designs, they give greater power, low fuel consumption, little vibration and quiet operation.

■ NOTE

- Since January 1994, E-TVCS has been used for the combustion chamber of our products instead of traditional N-TVCS.

E-TVCS was developed with an eye toward clean exhaust gas which is more environmentally freindly.

The combustion chamber models mentioned hereinafter refers to E-TVCS.

Model of combustion chamber :

N-TVCS

(Engine Serial Number ; 489290 or lower)

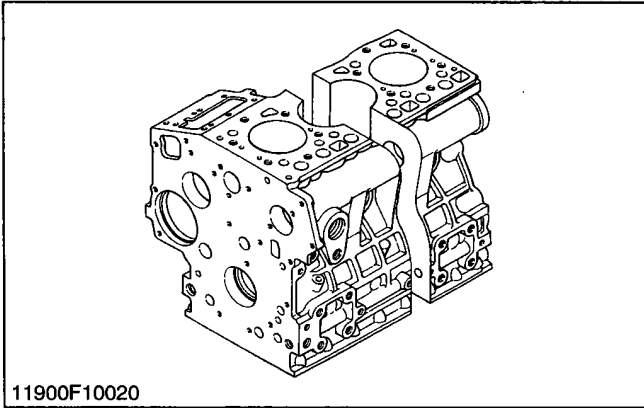
E-TVCS

(Engine Serial Number ; 489291 or higher)

11900M10011

1 ENGINE BODY

[1] CYLINDER BLOCK



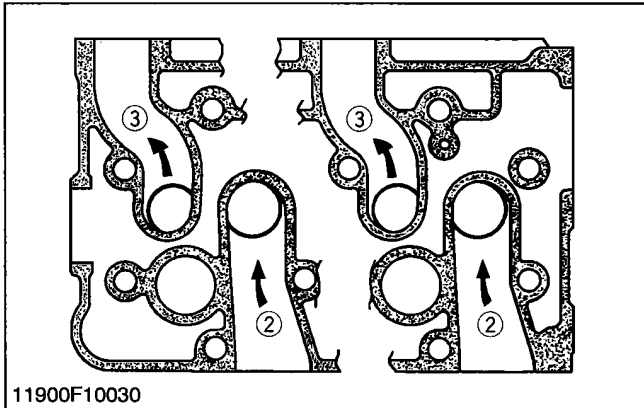
The engine has a high durability tunnel-type cylinder block in which the crank bearing component is a constructed body.

Furthermore, liner less type, allow effective cooling, less distortion, and greater wear-resistance.

The noise level is reduced to a minimum because each cylinder has its own chamber.

11900M10020

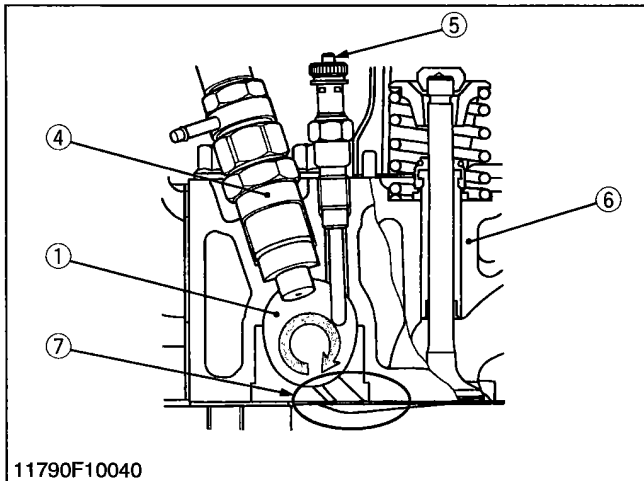
[2] CYLINDER HEAD



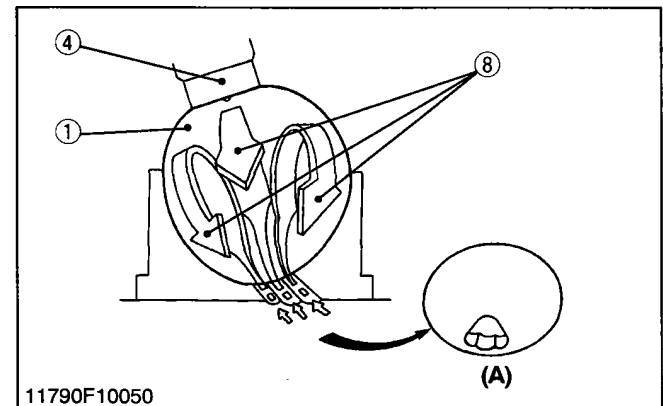
The cross-flow type intake / exhaust ports in this engine have their openings at both sides of the cylinder head. Because overlaps of intake / exhaust ports are smaller than in ports of other types which have openings on one side, the suction air can be protected from being heated and expanded by heated exhaust air. The cool, high density suction air has high volume efficiency and raises the power of the engine. Furthermore, distortion of the cylinder head by heated exhaust gas is reduced because intake ports are arranged alternately.

The combustion chamber is of KUBOTA's exclusive E-TVCS combustion chamber type. Suction air is whirled to be mixed effectively with fuel, prompting combustion and reducing fuel consumption.

In the combustion chamber are installed throttle type injection nozzle and rapid heating sheathed type glow plug. This glow plug assures easier than ever engine starts even at -15°C (5°F).

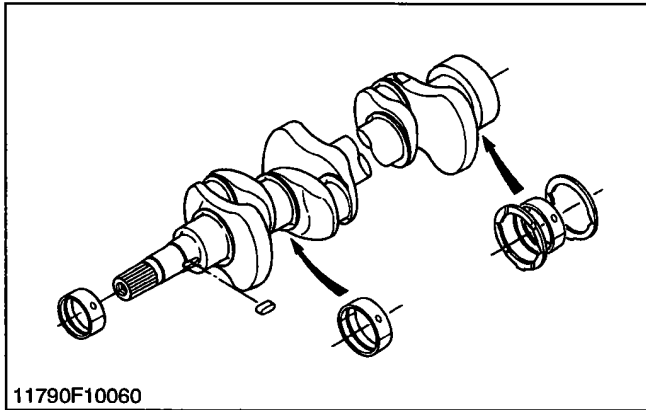


- (1) Combustion Chamber
- (2) Intake Port
- (3) Exhaust Port
- (4) Nozzle Assembly
- (5) Glow Plug
- (6) Cylinder Head
- (7) Depression
- (8) Compressed Air
- (A) Connect to Combustion Chamber



11900M10031

[3] CRANKSHAFT



The crankshaft with the connecting rod converts the reciprocating motion of the piston into the rotating motion.

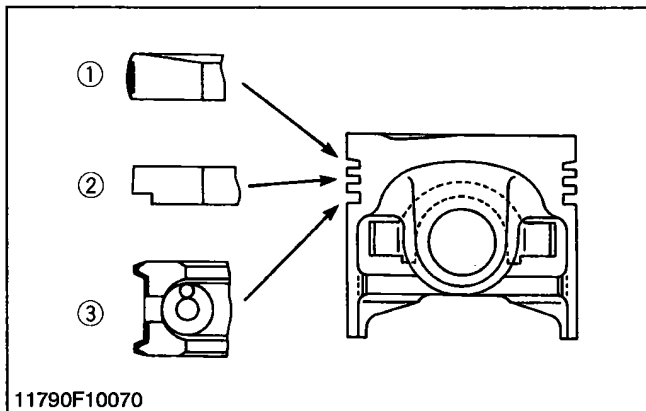
The crankshaft is made of tough special alloy steel, and the journals, pins and oil seal sliding portions are induction hardened to increase the hardness for higher wear resistance.

The front journal is supported by a solid type bearing, the intermediate journal by a split type, and the rear journal by a split type with thrust bearings.

The crankshaft is provided with an oil gallery, through which engine oil is fed to the crankpin portion, and lubricates it.

11790M10040

[4] PISTON AND PISTON RINGS



The piston has a slightly oval shape when cold (in consideration of thermal expansion) and a concave head.

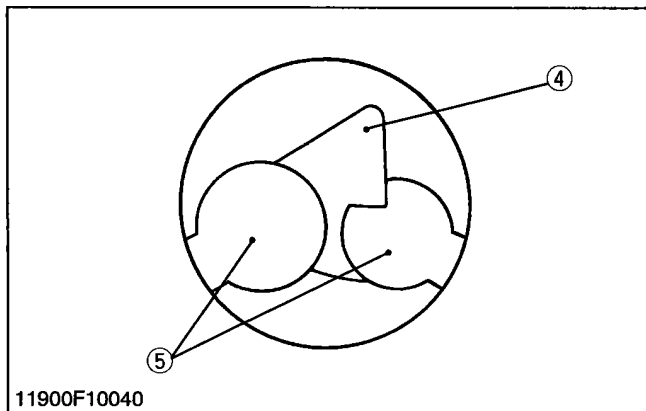
Three rings are installed in grooves in the piston.

The top ring (1) is a keystone type, which can stand against heavy loads, and the barrel face on the ring fits well to the cylinder wall.

The second ring (2) is an undercut type, which effectively prevents the oil from being carried up.

The oil ring (3) has chamfered contact faces and an expander ring, which increase the pressure of the oil ring against the cylinder wall.

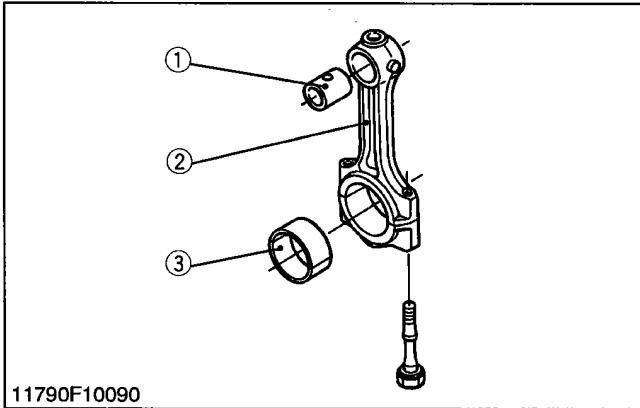
Several grooves are cut on the top land to help heat dissipate and to prevent scuffing.



- (1) Top Ring
- (2) Second Ring
- (3) Oil Ring
- (4) Depression
- (5) Valve Recess

11900M10041

[5] CONNECTING ROD



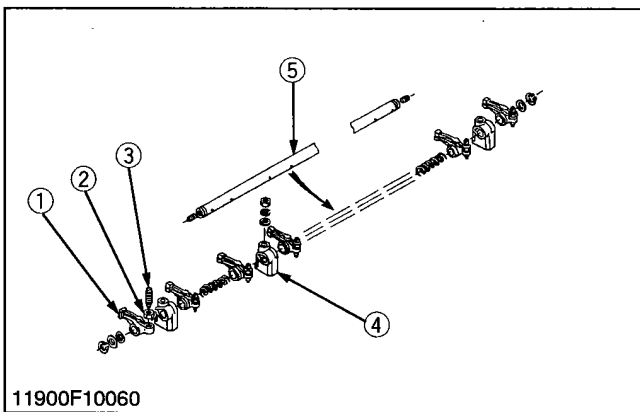
The connecting rod (2) is used to connect the piston with the crankshaft.

The big end of the connecting rod has a crankpin bearing (3) (split type) and the small end has a small end bushing (1) (solid type).

- | | |
|-----------------------|----------------------|
| (1) Small End Bushing | (3) Crankpin Bearing |
| (2) Connecting Rod | |

11790M10060

[6] ROCKER ARM



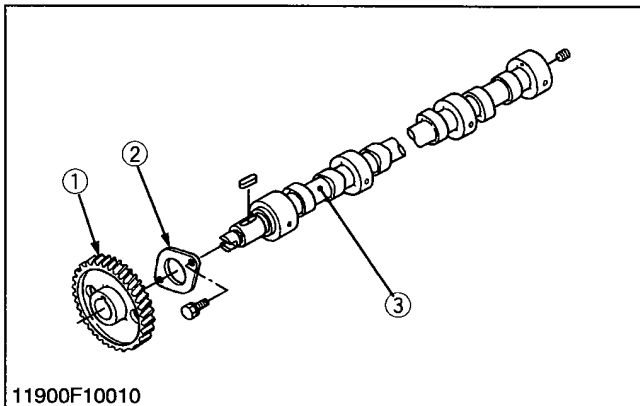
The rocker arm assembly includes the rocker arms (1), rocker arm brackets (4) and rocker arm shaft (5), and converts the reciprocating movement of the push rods to an open / close movement of the intake and exhaust valves.

Lubricating oil pressurized through the bracket to the rocker arm shaft, which serves as a fulcrum so that the rocker arm and the entire system are lubricated sufficiently.

- | | |
|---------------------|------------------------|
| (1) Rocker Arm | (4) Rocker Arm Bracket |
| (2) Lock Nut | (5) Rocker Arm Shaft |
| (3) Adjusting Screw | |

11900M10070

[7] CAMSHAFT



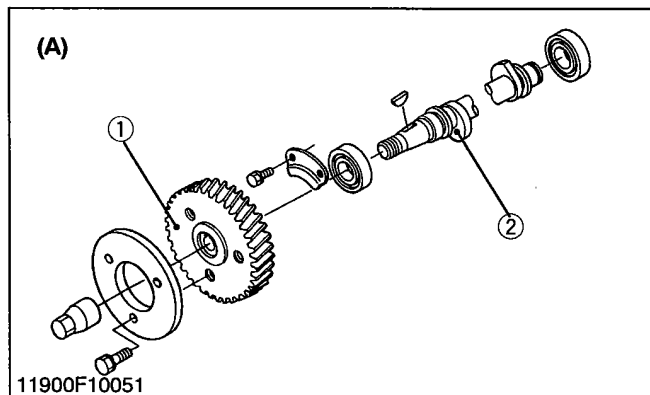
The camshaft (3) is made of special cast iron, and the journal and cam sections are chilled to resist wear.

The journal sections are force-lubricated.

- | | |
|----------------------|--------------|
| (1) Cam Gear | (3) Camshaft |
| (2) Camshaft Stopper | |

11900M10050

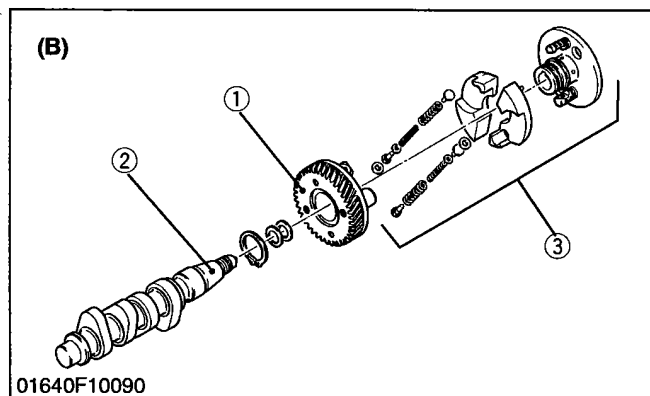
[8] FUEL CAMSHAFT



The fuel camshaft (2) controls the reciprocating movement of the injection pump.

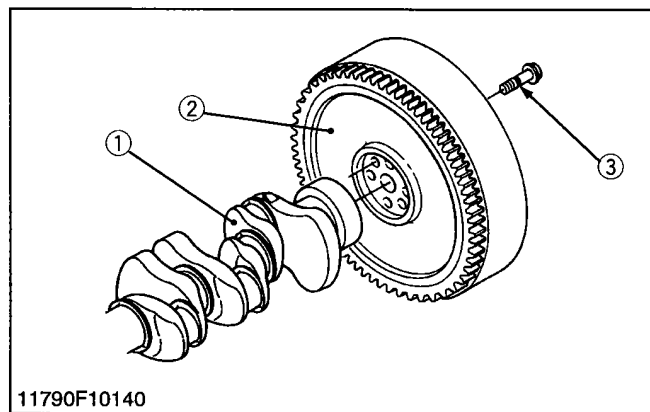
The fuel camshaft is made of carbon steel and the cam sections are quenched and tempered to provide greater wear resistance.

- (1) Injection Pump Gear
 - (2) Fuel Camshaft
 - (3) Automatic Advance Timer (not included in the basic model)
- (A) Without Timer
(B) With Timer



11900M10061

[9] FLYWHEEL



The flywheel stores the rotating force in the combustion stroke as inertial energy, reduces crankshaft rotating speed fluctuation and maintains the smooth rotating conditions.

The flywheel periphery is inscribed with the marks showing fuel injection timing angle lines and top dead center mark **TC**.

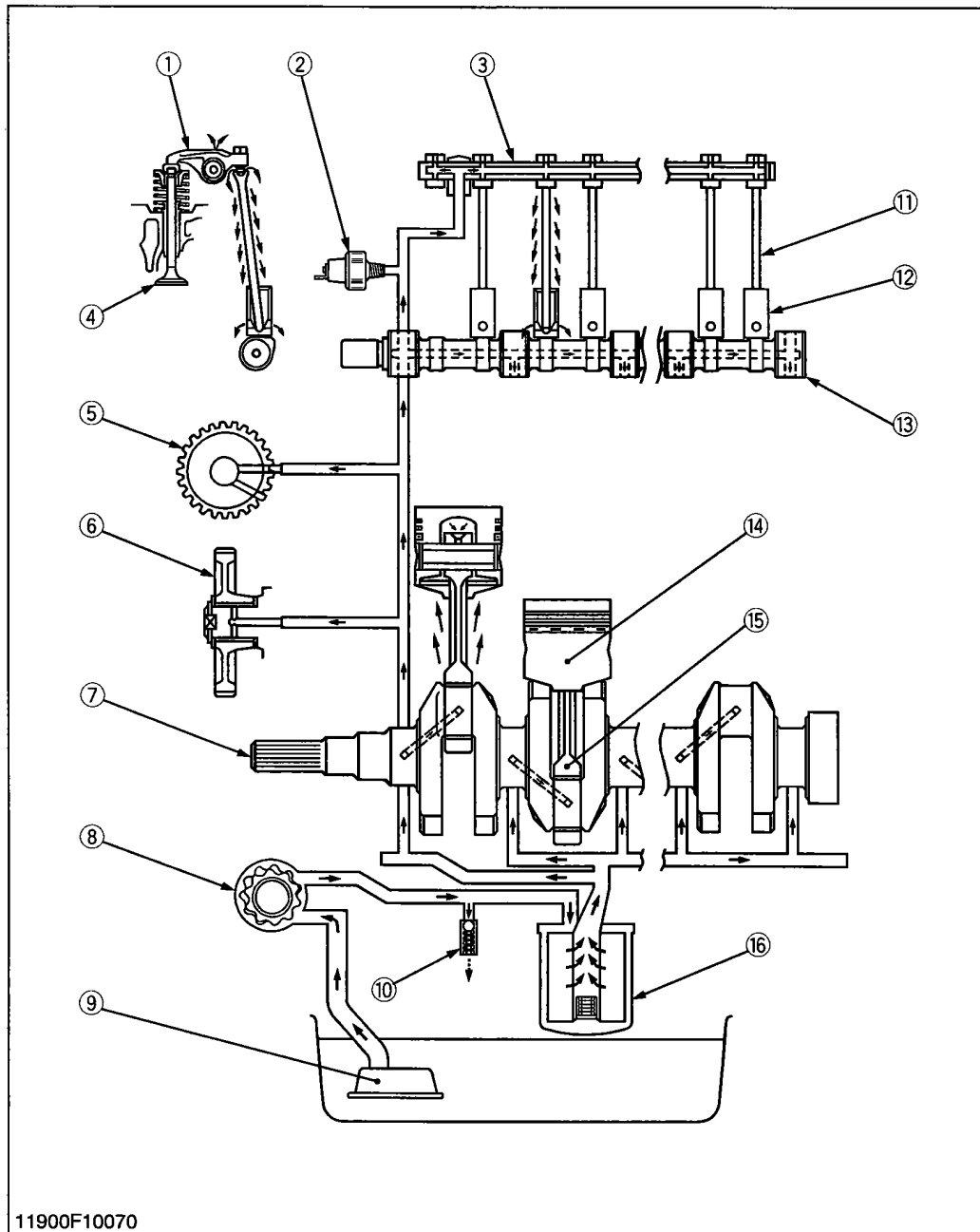
The flywheel has gear teeth around its outer rim, which mesh with the drive pinion of the starter.

- (1) Crankshaft
- (2) Flywheel
- (3) Flywheel Screw

11900M10081

2 LUBRICATING SYSTEM

[1] GENERAL



- (1) Rocker Arm
- (2) Oil Pressure Switch
- (3) Rocker Arm Shaft
- (4) Valve
- (5) Governor Shaft
- (6) Idle Gear
- (7) Crankshaft
- (8) Oil Pump
- (9) Oil Strainer
- (10) Relief Valve
- (11) Push Rod
- (12) Tappet
- (13) Camshaft
- (14) Piston
- (15) Connecting Rod
- (16) Oil Filter Cartridge

11900F10070

This engine's lubricating system consists of oil strainer (9), oil pump (8), relief valve (10), oil filter cartridge (16) and oil pressure switch (2).

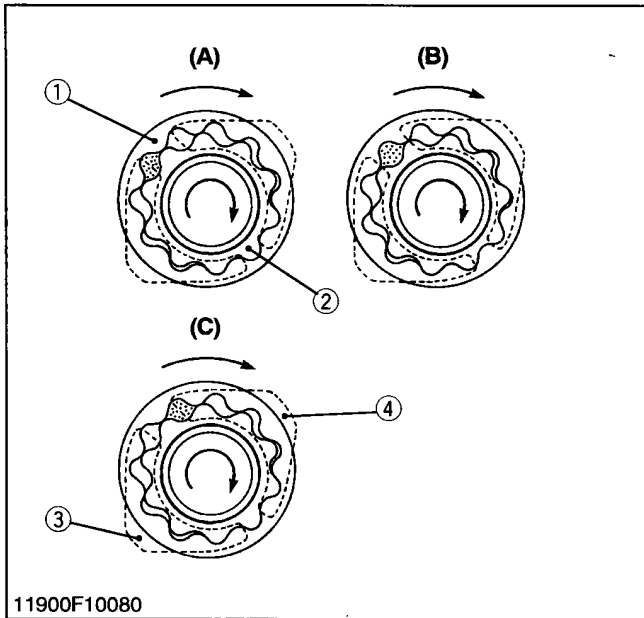
The oil pump sucks lubricating oil from the oil pan through the oil strainer and the oil flows down to the filter cartridge, where it is further filtered. Then the oil is forced to crankshaft (7), connecting rods (15), idle gear

(6), governor shaft (5), camshaft (13) and rocker arm shaft (3) to lubricate each part.

Some part of oil, splashed by the crankshaft or leaking and dropping from gaps of each part, lubricates these parts : pistons (14), cylinders, small ends of connecting rods, tappets (12), push rods (11), inlet and exhaust valves (4) and timing gears.

11900M10090

[2] OIL PUMP



The oil pump in this engine is a trochoid pump.

Inside the pump body, the 10 lobe inner rotor (2) is eccentrically engaged with the 11 lobe outer rotor (1). The inner rotor is driven by the crankshaft, which in turn rotate the outer rotor.

When the inner rotor rotates, the outer rotor also rotates in the same direction. The two rotors have differences in lobe number and center, which generates space between lobes as shown in the figure.

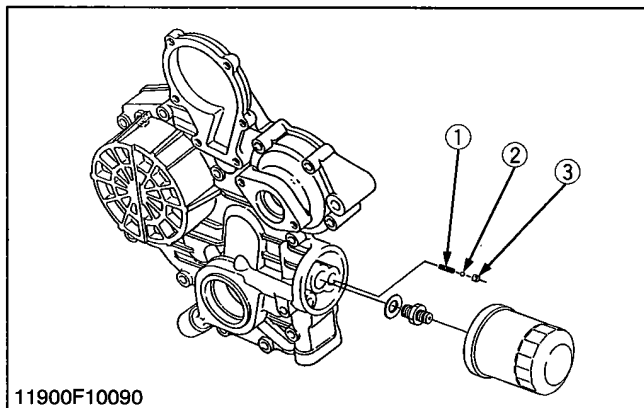
At position (A), there is little space between lobes in the inlet port. As the rotor rotates towards position, the space between the lobes becomes larger, creating a negative pressure which sucks in oil.

Outside the inlet port, as shown in position (B), the space between the lobes becomes gradually smaller, and oil pressure increases. At position (C), oil is discharged from the outlet port.

- | | |
|-----------------|-----------------|
| (1) Outer Rotor | (3) Inlet Port |
| (2) Inner Rotor | (4) Outlet Port |

11900M10101

[3] RELIEF VALVE



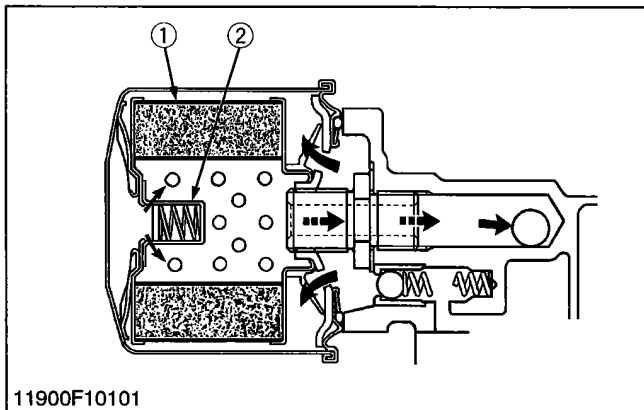
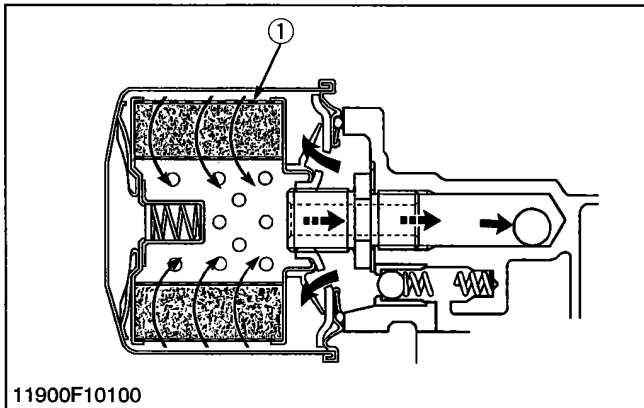
The relief valve prevents the damage of the lubricating system due to high oil pressure. This relief valve is a ball type direct acting relief valve, and is best suited for low pressures.

When oil pressure exceeds the upper limit, the ball (2) is pushed back by the pressure oil and the oil escapes.

- | | |
|----------------|----------------|
| (1) Spring | (3) Valve Seat |
| (2) Steel Ball | |

11900M10111

[4] OIL FILTER CARTRIDGE



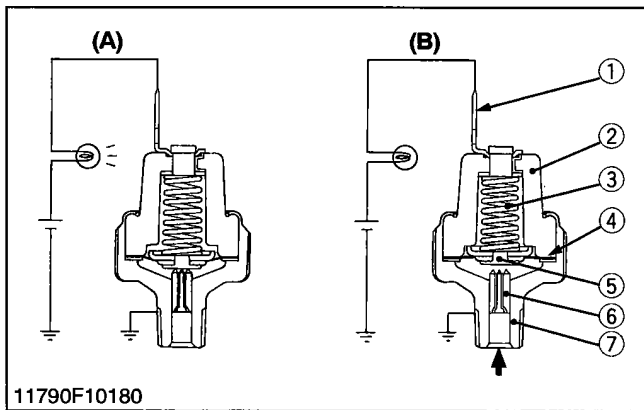
Impurities in engine oil can cause to wear and seize components as well as impairing the physical and chemical properties of the oil itself. Impurities contained in force-fed engine oil are absorbed on the filter paper for removal as they pass through the filter element (1).

When the filter element is clogged and the oil pressure in inlet line builds up by 98 kPa (1.0 kgf/cm², 14 psi) more than the outlet line, the bypass valve (2) opens and the oil flows from inlet to outlet bypassing the filter element.

- (1) Filter Element
- (2) Bypass Valve

11900M10120

[5] OIL PRESSURE SWITCH



The oil pressure switch is mounted on the cylinder block, to warn the operator that the lubricating oil pressure is poor.

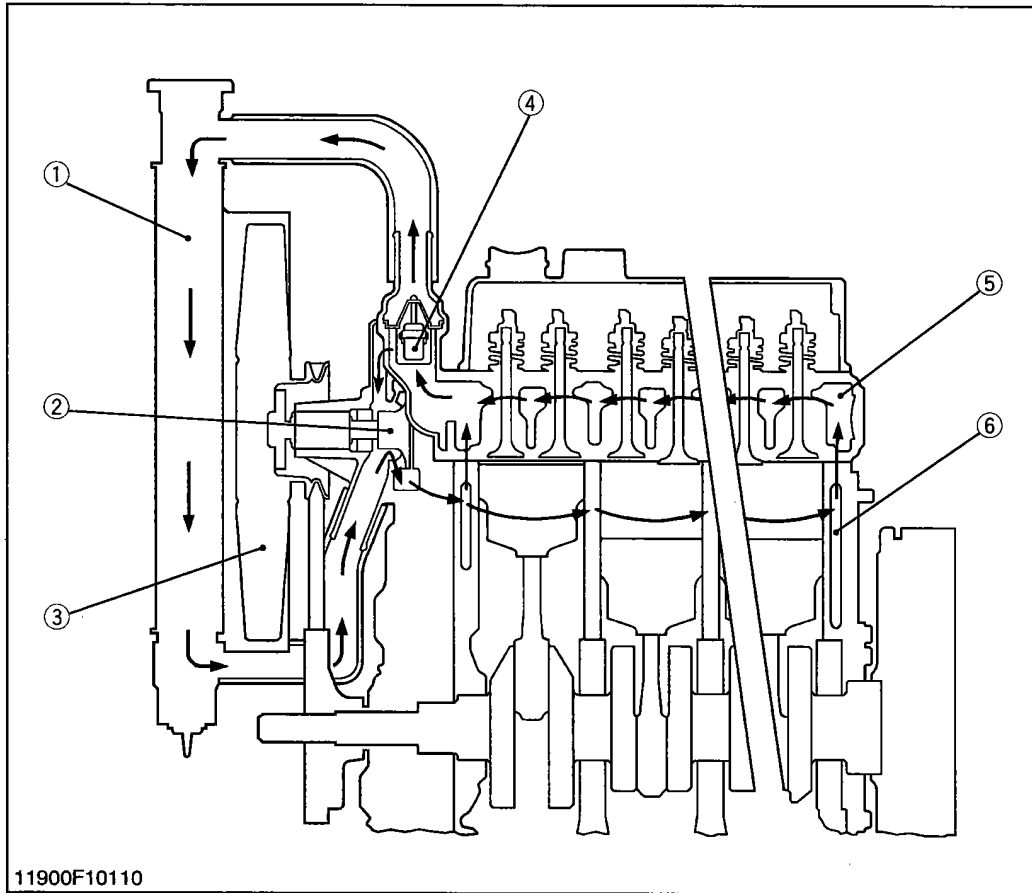
If the oil pressure falls below 49 kPa (0.5 kgf/cm², 7 psi), the oil warning lamp will light up, warning the operator. In this case, stop the engine immediately and check the cause of pressure drop.

- (1) Terminal
 - (2) Insulator
 - (3) Spring
 - (4) Rubber Gasket
 - (5) Contact Rivet
 - (6) Contact
 - (7) Oil Switch Body
- (A) At Oil Pressures of 49 kPa (0.5 kgf/cm², 7 psi) or Less
 - (B) At Proper Oil Pressure

11790M10152

3 COOLING SYSTEM

[1] GENERAL



- (1) Radiator
- (2) Water Pump
- (3) Suction Fan
- (4) Thermostat
- (5) Cylinder Head
- (6) Cylinder Block

11900F10110

The cooling system consists of a radiator (1) (not included in the basic engine), centrifugal water pump (2), suction fan (3) and thermostat (4).

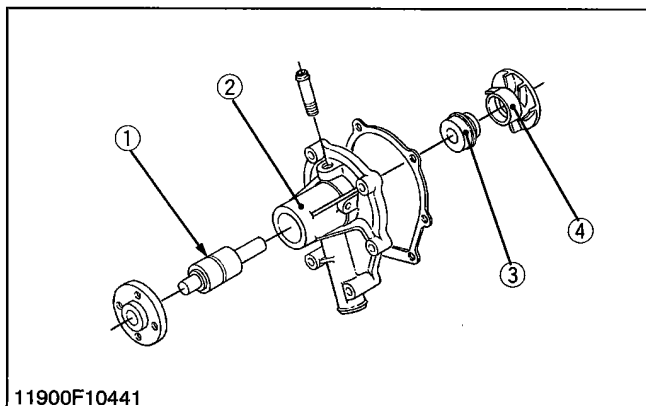
The water is cooled through the radiator core, and the fan set behind the radiator pulls cooling air through the core to improve cooling.

The water pump sucks the cooled water, forces it into the cylinder block and draws out the hot water. Then the

cooling is repeated. Furthermore, to control temperature of water, a thermostat is provided in the system. When the thermostat opens, the water moves directly to radiator, but when it closes, the water moves toward the water pump through the bypass between thermostat and water pump. The opening temperature of thermostat is approx. 71 °C (160 °F).

11900M10131

[2] WATER PUMP



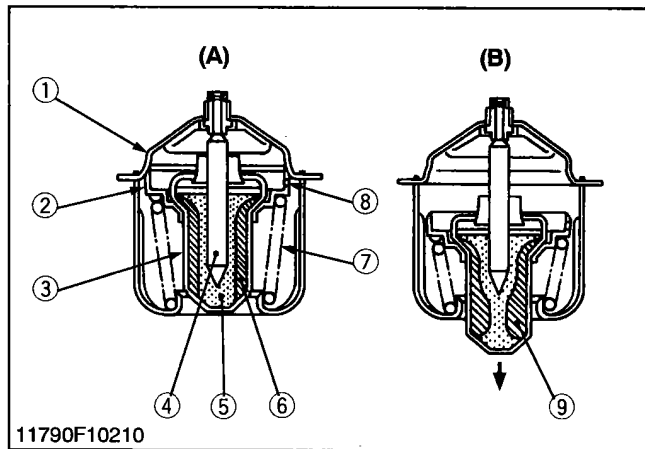
11900F10441

The water pump is driven by the crankshaft via a V belt. Water cooled in the radiator is sucked into the water pump from its lower portion and is sent from the center of the water pump impeller (4) radially outward into the water jacket in the crankcase.

- (1) Bearing Unit
- (2) Water Pump Body
- (3) Mechanical Seal
- (4) Water Pump Impeller

11900M10141

[3] THERMOSTAT



The thermostat maintains the cooling water at correct temperature. KUBOTA's engine uses a wax pellet type thermostat. Wax is enclosed in the pellet. The wax is solid at low temperatures, but turns liquid at high temperatures, expands and opens the valve.

(A) At low temperature (lower than 71 °C, 160 °F)

As the thermostat is closed, cooling water circulates in the engine through the water return pipe without running to the radiator.

Air in the water jacket escapes to the radiator side through leak hole (8) of the thermostat.

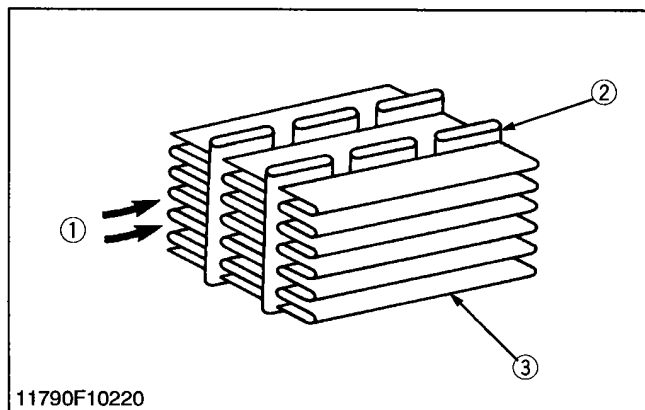
(B) At high temperature (higher than 71 °C, 160 °F)

When the temperature of cooling water exceeds 71 °C (160 °F), wax in the pellet turns liquid and expands. Because the spindle (4) is fixed, the pellet (3) is lowered, the valve (2) is separated from the seat (1), and then cooling water is sent to the radiator.

- | | |
|----------------------|------------------|
| (1) Seat | (6) Wax (Solid) |
| (2) Valve | (7) Spring |
| (3) Pellet | (8) Leak Hole |
| (4) Spindle | (9) Wax (Liquid) |
| (5) Synthetic Rubber | |

11790M10182

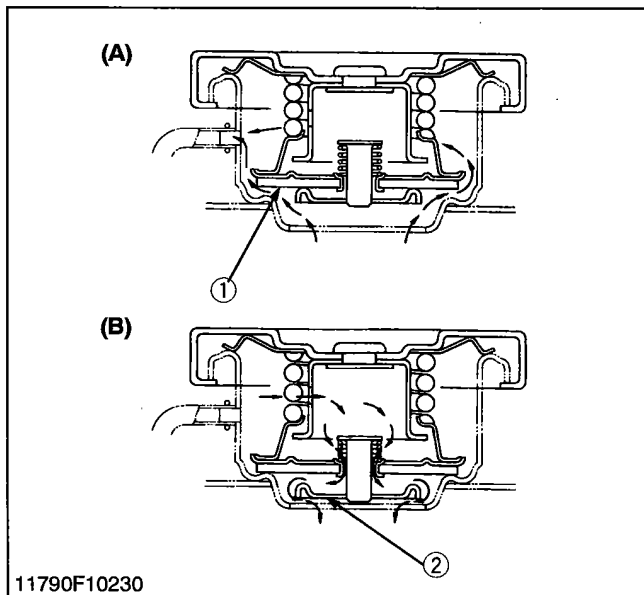
[4] RADIATOR (not included in the basic engine)



The radiator core consists of water carrying tubes (2) and fins (3) at a right angle to the tubes (2). Heat of hot water in the tubes is radiated from the tube walls and fins. KUBOTA's engine uses corrugated fin type core which has a light weight and high heat transfer rate. Clogging is minimized by the louverless corrugated fins.

- | | |
|-----------------|---------|
| (1) Cooling Air | (3) Fin |
| (2) Tube | |

11790M10191

[5] RADIATOR CAP

The radiator cap is for sustaining the internal pressure of the cooling system at the specified level 88 kPa (0.9 kgf/cm², 13 psi) when the engine is in operation. The cap consists of a pressure valve (1) a vacuum valve (2), valve springs, gasket, etc.

Cooling water is pressurized by thermal expansion of steam, and as its boiling temperature rises, generation of air bubbles will be suppressed. (Air bubbles in cooling water lowers the cooling effect.)

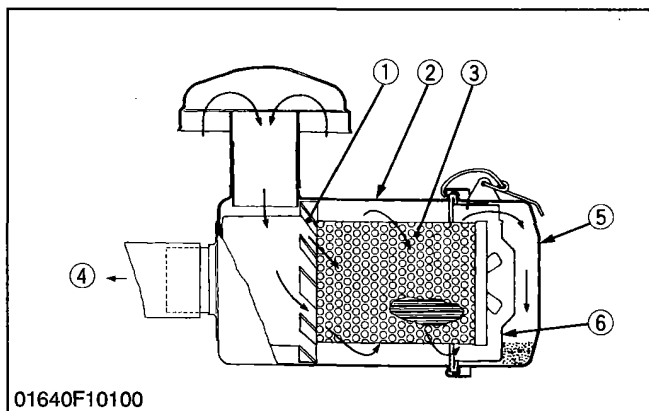
- (1) Pressure Valve
- (2) Vacuum Valve

- (A) When radiator internal pressure is high
- (B) When radiator internal pressure is negative

11790M10201

4 INTAKE / EXHAUST SYSTEM

[1] AIR CLEANER (not included in the basic engine)

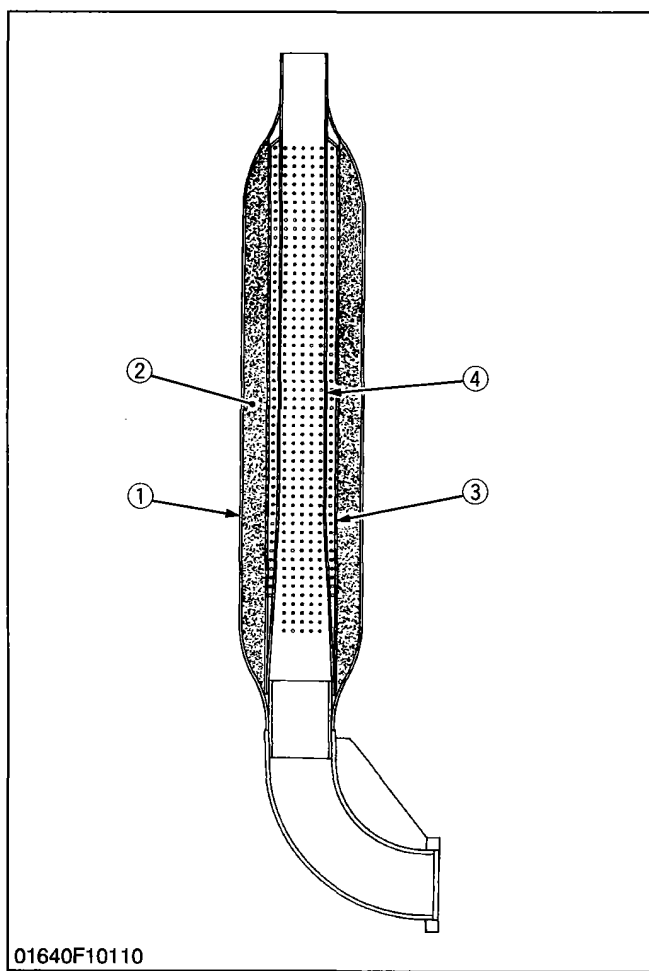


The air cleaner is a dry-cyclone type for easy maintenance. Sucked air is caused to flow in a whirling way with fin (1). As a result, heavier dust particles circulate around the circumference and enter the holes in the baffle cover (6) and accumulate in the dust cup (5). Minute dust, while circulating in the air flow, is absorbed by the element (3) and thus prevented from entering the engine.

- | | |
|------------------------|------------------|
| (1) Fin | (4) To Cylinder |
| (2) Air Cleaner Body | (5) Dust Cup |
| (3) Air Filter Element | (6) Baffle Cover |

01640M10010

[2] MUFFLER (not included in the basic engine)



High temperature and high pressure exhaust gas is intermittently discharged by fuel combustion generating pressure waves inside the exhaust pipe which will result in noise.

The muffler is used to reduce this noise.

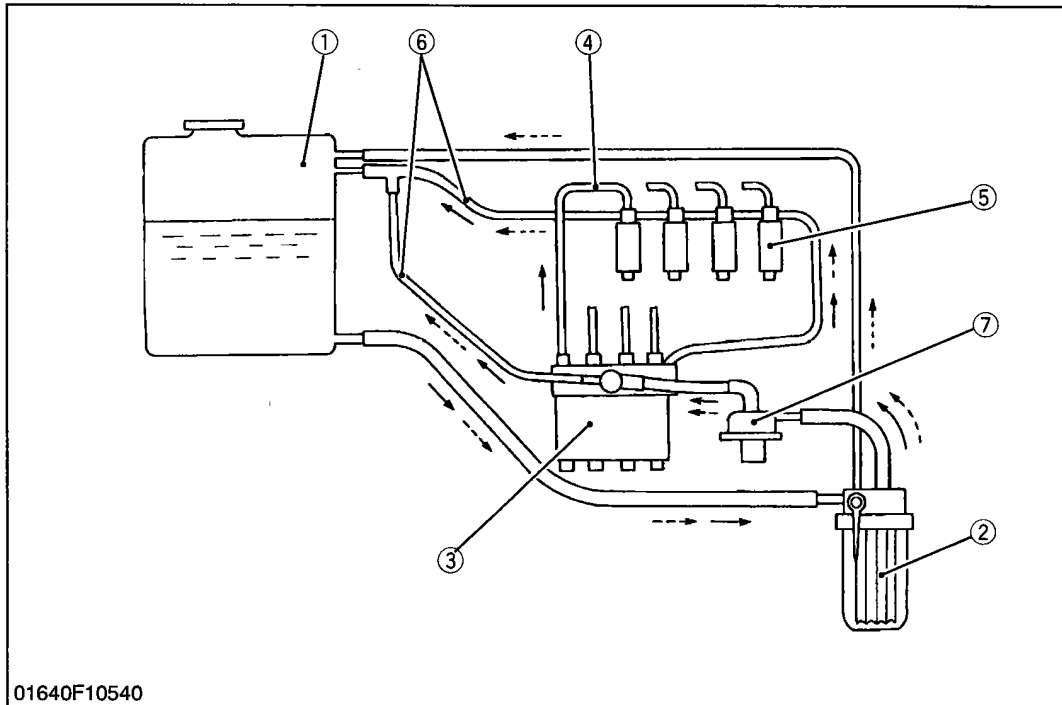
This muffler consists of a perforated inner tube (4) and outer tube (3), glass wool (2), main body (1), etc. The glass wool placed between the outer tube and main body, absorbs the exhaust noise of higher frequency.

- | | |
|----------------|----------------|
| (1) Main Body | (3) Outer Tube |
| (2) Glass Wool | (4) Inner Tube |

01640M10020

5 FUEL SYSTEM

[1] GENERAL



- (1) Fuel Tank
- (2) Fuel Filter
- (3) Injection Pump
- (4) Injection Pipe
- (5) Injection Nozzle
- (6) Fuel Overflow Pipe
- (7) Fuel Feed Pump

01640F10540

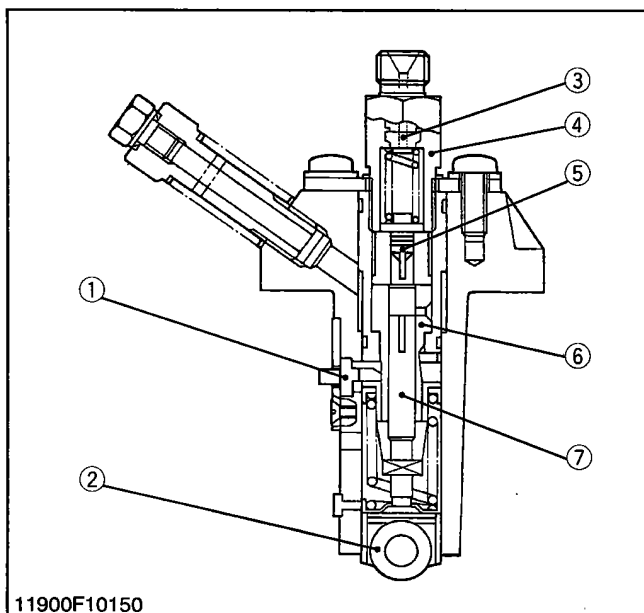
Fuel from the fuel tank (1) passes through the fuel filter (2), and then enters the injection pump (3) after impurities such as dirt, water, etc. are removed.

The fuel pressurized by the injection pump to the opening pressure (13.73 to 14.71 MPa, 140 to 150 kgf/cm², 1991 to 2133 psi), of the injection nozzle (5) is injected into the combustion chamber.

Part of the fuel fed to the injection nozzle (5) lubricates the moving parts of the plunger inside the nozzle, then returns to the fuel tank through the fuel overflow pipe (6) from the upper part of the nozzle holder.

11900M10151

[2] INJECTION PUMP



11900F10150

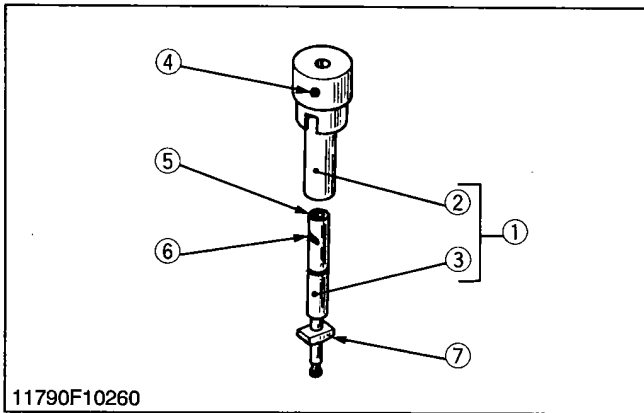
A Bosch MD type mini pump is used for the injection pump. It is small, lightweight and easy to handle.

The plunger (7) with a left-hand lead reciprocates via the tappet roller (2) by means of the fuel camshaft, causing the fuel to be delivered into the injection nozzle.

- (1) Control Rack
- (2) Tappet Roller
- (3) Dumping Valve
- (4) Delivery Valve Holder
- (5) Delivery Valve
- (6) Cylinder
- (7) Plunger

11900M10170

(1) Pump Element



The pump element (1) is consist of the plunger (3) and cylinder (2).

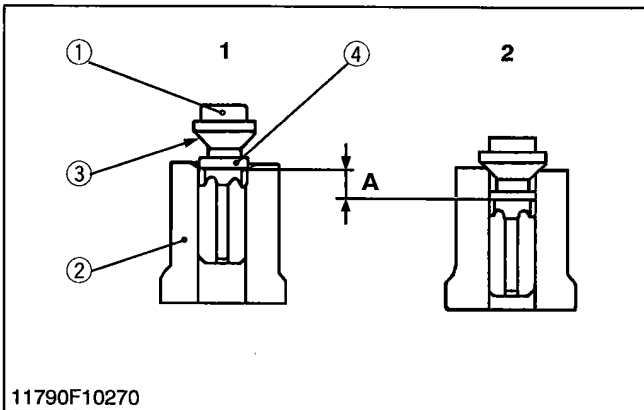
The sliding surfaces are super-precision machined to maintain injection pressure at engine low speeds. Since the driving face (7) fits in the control sleeve, the plunger (3) is rotated by the movement of the control rack to increase or decrease of fuel delivery.

As described above, the plunger (3) is machined to have the slot (5) and the control groove (6).

- | | |
|------------------|--------------------|
| (1) Pump Element | (5) Slot |
| (2) Cylinder | (6) Control Groove |
| (3) Plunger | (7) Driving Face |
| (4) Feed Hole | |

11790M10231

(2) Delivery Valve



The delivery valve consists of the delivery valve (1) and delivery valve seat (2).

The delivery valve performs the following functions.

1. Reverse flow preventing function

If the fuel flow reverse from the injection nozzle side when the plunger lowers, the time lag between the next delivery start and the nozzle injection start increases. To avoid this, the delivery chamber to injection pipe interruption by delivery valve (1) prevents this reverse flow, thus keeping fuel always filled in the nozzle and pipe.

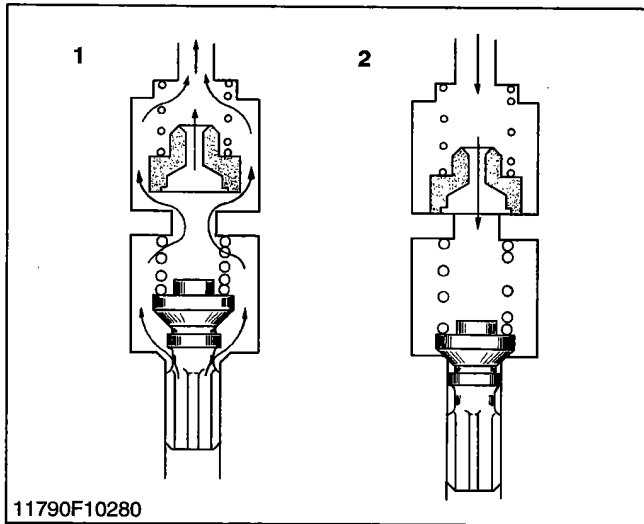
2. Suck-back function

After completing the fuel delivery, the delivery valve lowers, and the relief plunger (4) end contacts the delivery valve seat (2). The valve further lowers until its seat surface (3) seats firmly the delivery valve seat. During this time, the amount of fuel corresponding to (A) is sucked back from inside the injection pipe, the pressure inside the pipe is reduced, thus leading to an improved injection shut off and preventing after leakage dribbling.

- | | |
|-------------------------|--------------------|
| (1) Delivery Valve | (3) Seat Surface |
| (2) Delivery Valve Seat | (4) Relief Plunger |

11790M10241

(3) Dumping Valve



1. At fuel injection

Since dumping valve is pushed up to press the spring, fuel is pressure-fed to injection nozzle the same as without dumping valve.

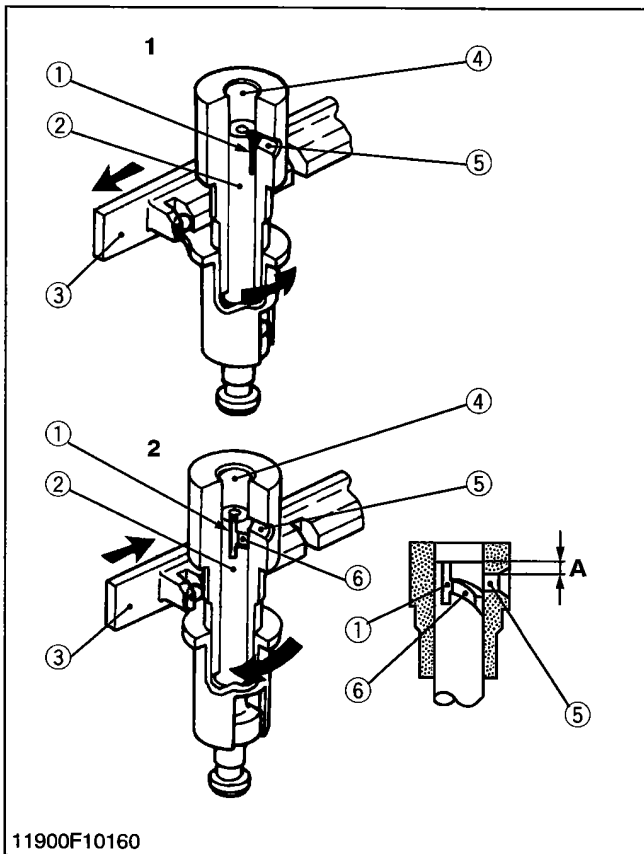
2. At suck-back

At suck-back by delivery valve after fuel injection fuel returns through dumping valve orifice. Generally second injection is apt to occur by reflex pressure due to reaction of sudden pressure drop when changing into suck-back by delivery valve from high injection pressure.

As a result of preventing this second injection perfectly by dumping valve and dissolving nozzle clogging, durability of injection nozzle is improved.

11790M10251

(4) Injection Control



1. No fuel delivery

At the engine stop position of the control rack (3), the lengthwise slot (1) on the plunger (2) aligns with the feed hole (5). And the delivery chamber (4) is led to the feed hole during the entire stroke of the plunger.

The pressure in the delivery chamber does not build up and no fuel can be forced to the injection nozzle.

2. Fuel delivery

The plunger (2) is rotated (see figure) by the control rack (3).

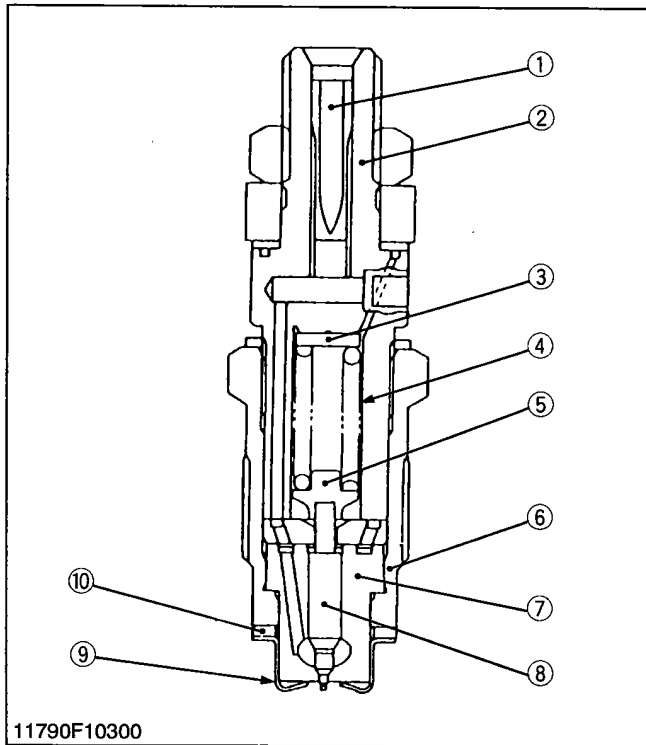
When the plunger is pushed up, the feed hole (5) is closed. The pressure in the delivery chamber (4) builds up and forcefeeds the fuel to the injection nozzle until the control groove (6) meets the feed hole (5).

The amount of the fuel corresponds to the distance "A".

- | | |
|------------------|----------------------|
| (1) Slot | (4) Delivery Chamber |
| (2) Plunger | (5) Feed Hole |
| (3) Control Rack | (6) Control Groove |

11900M10181

[3] INJECTION NOZZLE



This nozzle is throttle-type. The needle valve (8) is pushed against the nozzle body (7) by the nozzle spring via the push rod (5). Fuel pressurized by the injection pump pushes the needle valve up and then is injected into the sub-combustion chamber.

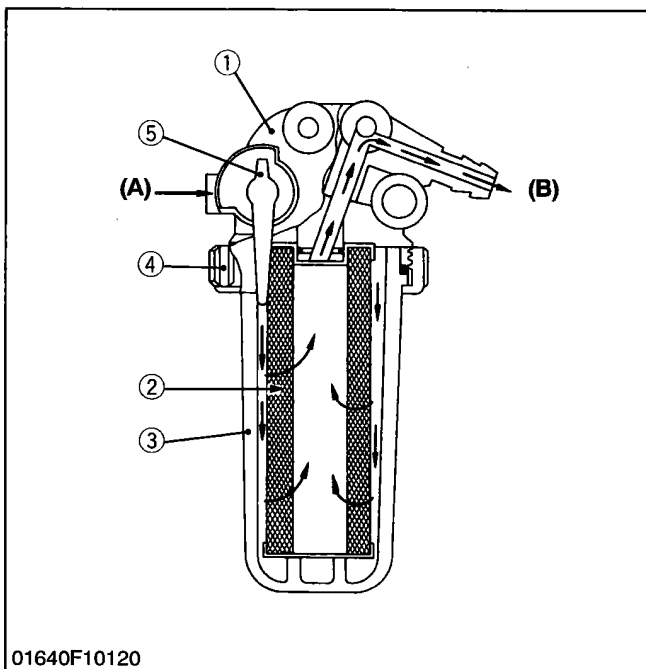
Excessive flow passes from nozzle holder center through the eye joint and the fuel overflow pipe to the fuel tank.

The injection pressure is 13.73 to 14.71 MPa (140 to 150 kgf/cm², 1991 to 2133 psi), and is adjusted with adjusting washers (3).

- | | |
|------------------------|-------------------|
| (1) Bar Filter | (6) Retaining Nut |
| (2) Nozzle Holder Body | (7) Nozzle Body |
| (3) Adjusting Washer | (8) Needle Valve |
| (4) Nozzle Spring | (9) Heat Seal |
| (5) Push Rod | (10) Gasket |

11790M10272

[4] FUEL FILTER (not included in the basic model)



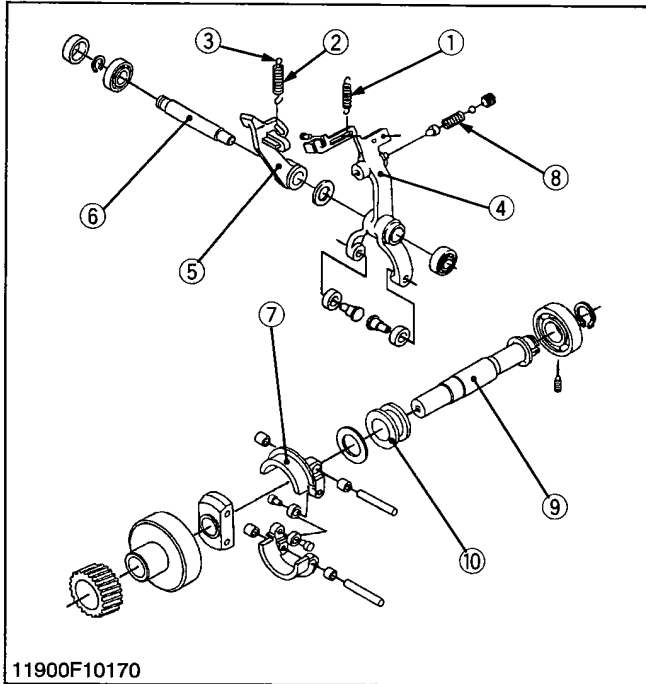
Each moving part of the injection pump and nozzle is extremely precision machined, and clearances of their sliding parts are extremely small. Fuel itself serves as lubricating oil. For this reason, it is extremely important to completely remove water and dirt contained in fuel.

This fuel filter, which uses very fine filter paper, serves to separate and filter dirt in fuel and water accumulated in the tank.

Air vent plug is fitted to the cock body. Before starting or after disassembling and reassembling, loosen this plug and bleed the air in the fuel system.

- | | |
|--------------------|------------|
| (1) Cock Body | (A) Inlet |
| (2) Filter Element | (B) Outlet |
| (3) Filter Cup | |
| (4) Retaining Ring | |
| (5) Fuel Cock | |

01640M10030

[5] GOVERNOR

11900F10170

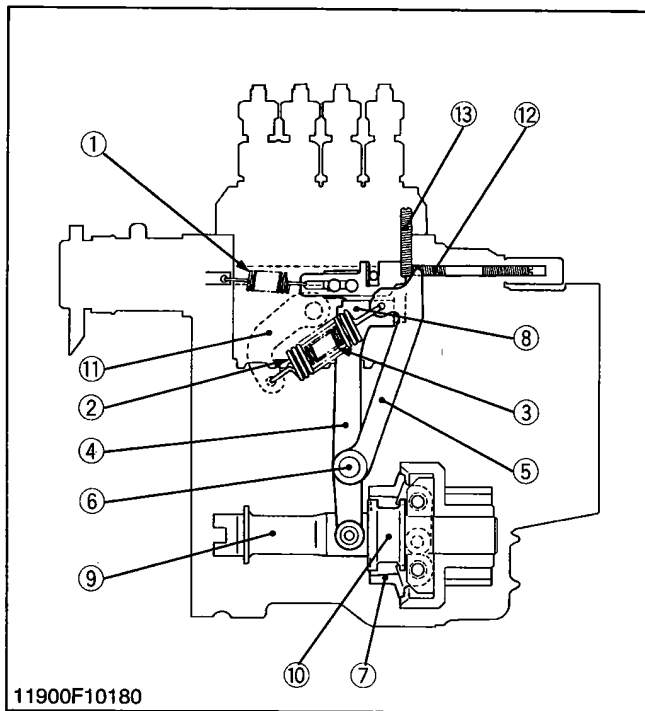
This mechanism maintains engine speed at a constant level even under fluctuating loads, provides stable idling and regulates maximum engine speed by controlling the fuel injection rate.

This engine uses a mechanical governor that controls the fuel injection rate at all speed ranges (from idling to maximum speed) by utilizing the balance between the flyweight's centrifugal force and spring tension.

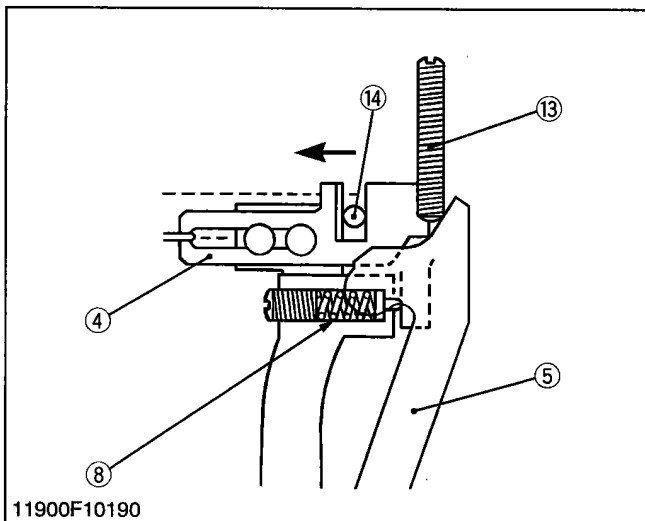
A governor shaft for monitoring engine speed is independent of the injection pump shaft and rotates at twice the speed of conventional types, providing better response to load fluctuation and delivering greater engine output.

- | | |
|-----------------------|----------------------|
| (1) Start Spring | (6) Fork Lever Shaft |
| (2) Governor Spring 1 | (7) Flyweight |
| (3) Governor Spring 2 | (8) Torque Spring |
| (4) Fork Lever 1 | (9) Governor Shaft |
| (5) Fork Lever 2 | (10) Governor Sleeve |

11900M10190



11900F10180



11900F10190

■ At Start

As no centrifugal force is applied to flyweight (7), low tension of start spring (1) permits control rack to move to the starting position, supplying the amount of fuel required to start the engine.

■ At Idling

Setting speed control lever (11) to the idling position during engine rotation permits the low tension of governor spring 2 (3), start spring (1) and idle limit spring (12) to balance the centrifugal force of flyweight (7) without activating high tension governor spring 1 (2). In this way, the fuel injection rate can be controlled to ensure stable idling.

■ At High Speed Running with Overload

Governor spring 1 (2) and 2 (3) control the fuel injection rate. To maintain the required engine speed, fuel is supplied according to the speed control lever setting and load by balancing the tension of governor springs 1 and 2 with the centrifugal force of flyweight (7).

In addition, idle limit spring (12) provides stable engine rotation.

■ During Overload

At load increases, the engine speed decreases, reducing the flyweight's centrifugal force. Governor springs 1 (2) and 2 (3), therefore, pull fork levers 1 (4) and 2 (5), increasing the fuel injection rate and maintaining engine speed.

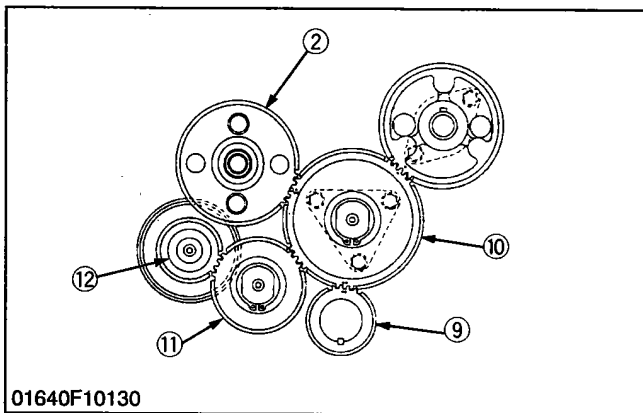
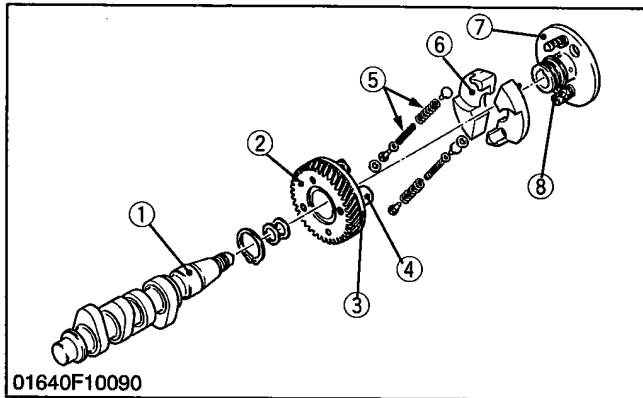
If engine speed decreases due to a further increase in load, fork lever 2 (5) will come in contact with the fuel limit bolt, stopping a further increase in the fuel injection rate.

Torque spring (8) incorporated in fork lever 1 (4) moves the lever in the direction of fuel injection rate increase, thereby boosting torque and providing greater engine output.

- | | |
|-----------------------|-----------------------------|
| (1) Start Spring | (8) Torque Spring |
| (2) Governor Spring 1 | (9) Governor Shaft |
| (3) Governor Spring 2 | (10) Governor Sleeve |
| (4) Fork Lever 1 | (11) Speed Control Lever |
| (5) Fork Lever 2 | (12) Idle Limit Spring |
| (6) Fork Lever Shaft | (13) Fuel Limit Adjust Bolt |
| (7) Flyweight | (14) Control Rack Pin |

11900M10200

[6] AUTOMATIC ADVANCE TIMER (not included in the basic model)



Fuel fed by the injection pump passes through the injection pipe to the injection nozzle. The time required for fuel to flow from the injection pump to the nozzle is almost constant, irrespective of enginespeed. The time required for injected fuel to ignite, burn and reach the maximum pressure is also virtually constant, irrespective of engine speed. Therefore, as engine speed increases, ignition timing is delayed, and vice versa. If fuel injection timing is fixed, it is impossible to provide optimum injection timing at each engine speed. To solve this problem, an automatic injection advance timer is used to control fuel injection timing automatically. This engine uses a mechanical timer for this purpose which utilizes the balance between the flyweight's centrifugal force (generated by engine rotation) and spring tension.

The structure of the timer is as illustrated in the figure.

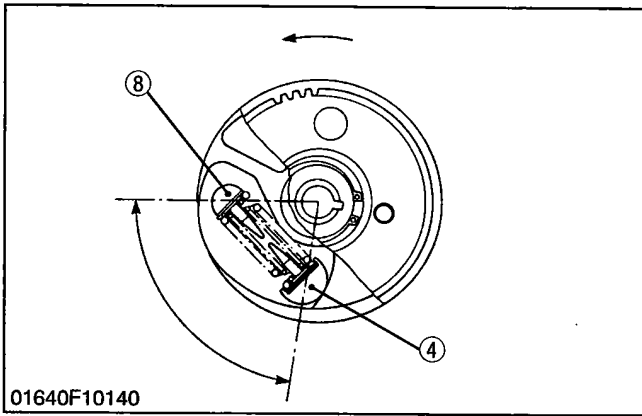
Hub bolt (8) is inserted into the hole located on one side of flyweight (6). Hub (7) is secured to fuel camshaft (1) by key and nut. Driving plate (3) is bolted to injection pump gear (2). Driving bolt (4) securing driving plate (3) is in contact with the curved surface of flyweight (6). Timer spring (5) is installed between driving bolt (4) and hub bolt (8).

Therefore, torque is transmitted from the crankshaft to the fuel camshaft via the following route :

Crank gear (9) → Idle gear 1 (10) → Injection pump gear (2) → Driving plate (3) → Driving bolt (4) → Flyweight (6) → Hub bolt (8) → Hub (7) → Fuel camshaft (1)

- | | |
|-------------------------|--------------------|
| (1) Fuel Camshaft | (7) Hub |
| (2) Injection Pump Gear | (8) Hub Bolt |
| (3) Driving Plate | (9) Crank Gear |
| (4) Driving Bolt | (10) Idle Gear 1 |
| (5) Timer Spring | (11) Idle Gear 2 |
| (6) Flyweight | (12) Governor Gear |

01640M10040



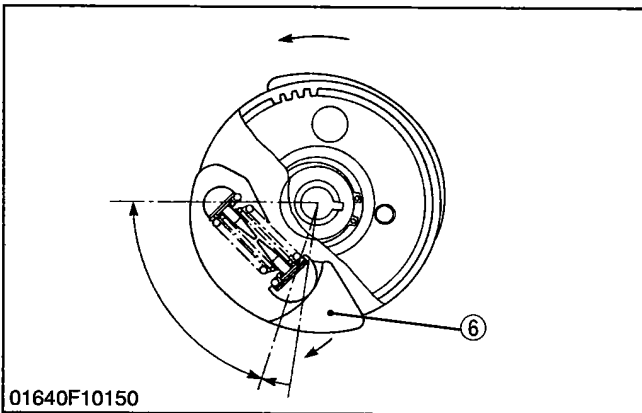
■ During low-speed travel

As the centrifugal force applied to flyweight (6) is small, spring force presses the flyweight inward, permitting driving bolt (4) to come in contact with flyweight at the position shown in the figure.

(4) Driving Bolt

(8) Hub Bolt

01640M10050



■ During medium- to high-speed travel

As engine speed increases, the centrifugal force applied to flyweight (6) increases, expanding it around hub bolt (8) in the direction of the arrow, thereby rotating the position (where driving bolt (4) is in contact with flyweight (6)) through angle θ as shown in the figure.

Therefore, since the fuel camshaft rotates from injection pump gear (2) in the rotational direction through angle θ , injection timing is advanced.

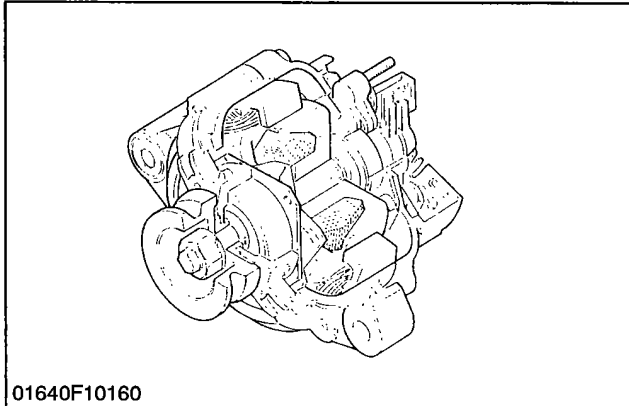
(6) Flyweight

01640M10060

6 ELECTRICAL SYSTEM

[1] CHARGING SYSTEM

(1) Alternator



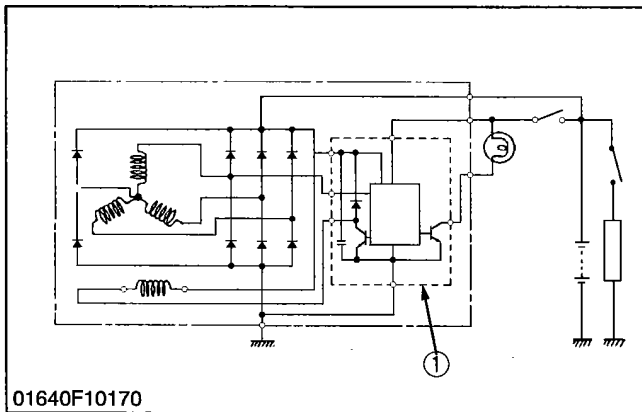
01640F10160

A compact alternator with an IC regulator is used, having the following characteristics:

- Approximately 26 % lighter and 17 % smaller than a standard alternator.
- Cooling performance and safety have been improved by combining the cooling fan with the rotor and incorporating the fan / rotor unit inside the alternator.
- IC regulator is fitted inside the alternator.
- The rectifier, IC regulator and similar components are easy to remove, making it easier to service the alternator.

01640M90010

(2) IC Regulator



01640F10170

An IC regulator uses solid state transistors, chips or other semiconductor elements instead of the relays in a conventional regulator. Stable characteristics are achieved by cutting off the field current.

IC regulators have the following characteristics:

- The control voltage does not change over time, so the need for readjustment is eliminated. Since there are no moving parts, IC regulators are extremely durable and resistant to vibration.
- The overheat compensation characteristics ensure that the control voltage is reduced as the temperature rises, so the battery is charged at just the right level.

The internal circuitry of the IC regulator is shown in the diagram. It consists of a hybrid IC incorporating a monolithic IC. (The internal circuitry of the monolithic IC is extremely complex, so it is shown as simply "M.IC circuit").

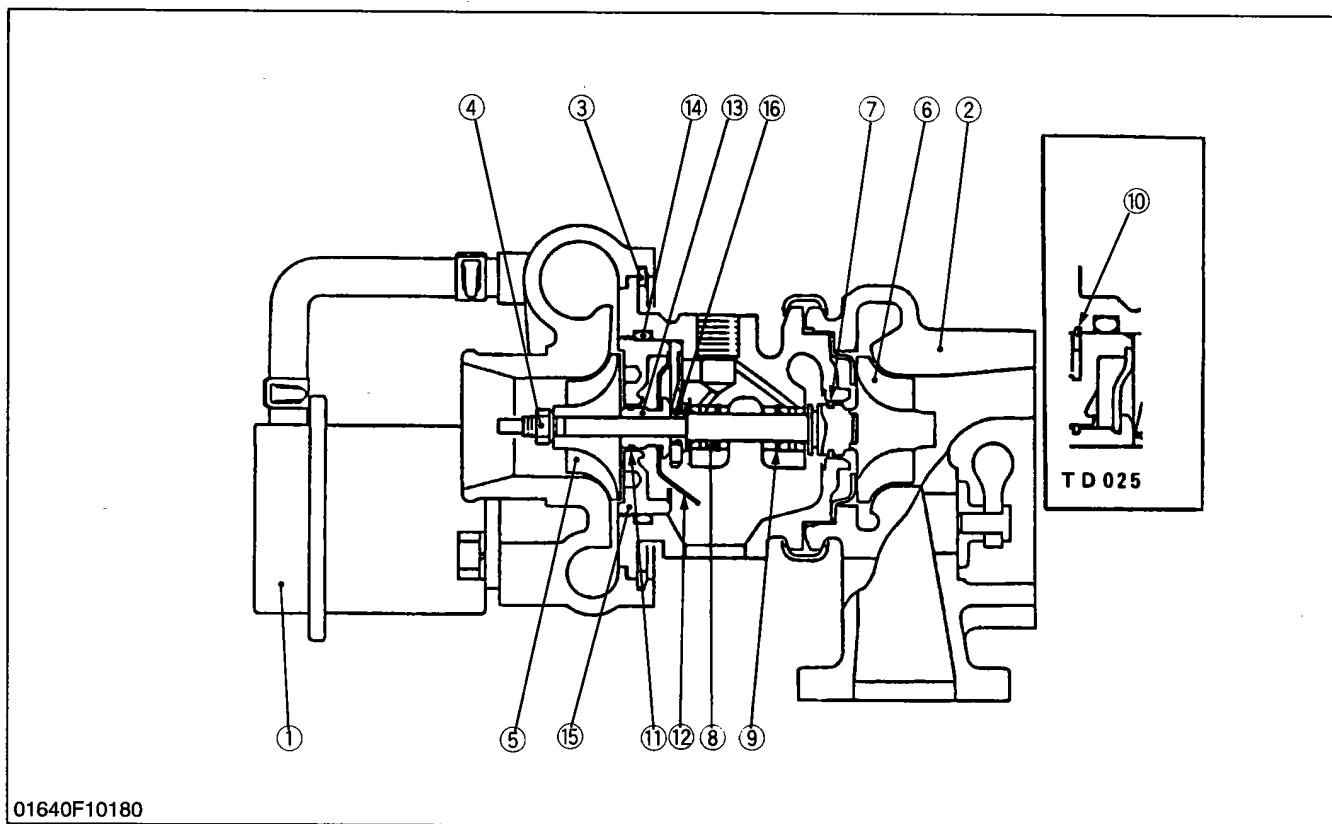
Tr1 acts as the contacts controlling the field current, and **Tr2** acts as the charge lamp relay controlling the flashing of the charge lamp.

The M.IC circuit controls **Tr1** and **Tr2**, and monitors the alternator output voltage, and detects any drop in L terminal voltage or breaks in the rotor coil.

(1) IC Regulator

01640M90020

7 TURBO CHARGER SYSTEM



01640F10180

- | | | | |
|---------------------|----------------------|------------------------|---------------------|
| (1) Actuator | (5) Compressor Wheel | (9) Snap Ring | (13) Thrust Sleeve |
| (2) Turbine Housing | (6) Turbine Wheel | (10) Snap Ring (TD025) | (14) O-ring |
| (3) Snap Ring | (7) Piston Ring | (11) Piston Ring | (15) Thrust Bearing |
| (4) Lock Nut | (8) Bearing | (12) Oil Deflector | (16) Thrust Ring |

This turbo charger consists basically of a centrifugal compressor mounted on a common shaft with a double flow turbine driven by exhaust gas from the engine.

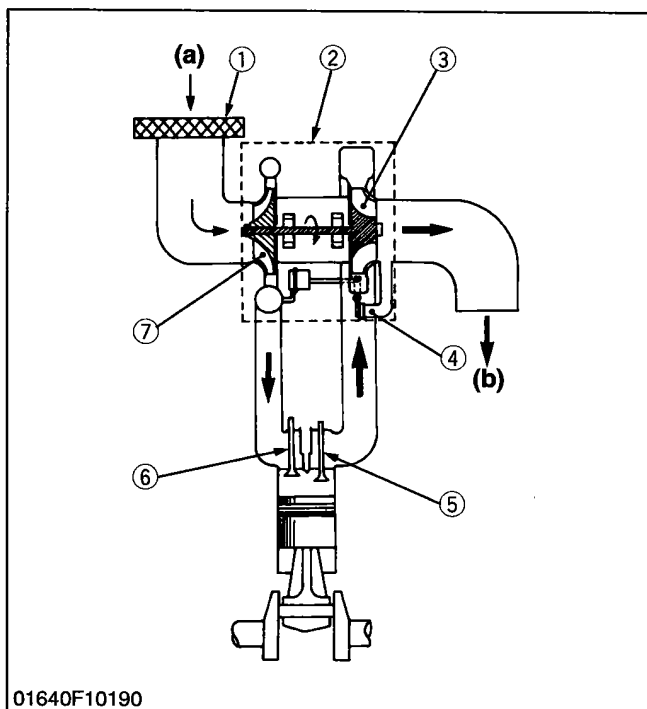
The turbo charger is capable of supplying far more air to the engine than for a non-supercharged engine, which is without such a charger.

In applications where the boost pressure is relatively low, the turbo charger is capable of reducing the smoke

concentration, the concentration in the cylinder, fuel consumption, and deterioration in performance at elevated terrain by increasing the amount of air to the engine.

In applications where the boost pressure is high, the charger is capable of providing a large increase in engine output by increasing the amount of air into the engine, in addition to the above mentioned advantages.

01640M10070

(1) Mechanism**■ Turbocharger Works**

While the engine is running, exhaust gas passes through the exhaust manifold to rotate the turbine wheel (3) of the turbocharger (2) at high speed.

Rotation of the turbine wheel rotates the compressor wheel (7) at the same speed because both wheels are on the same shaft. As the compressor wheel rotates, air is sucked in, compressed, and sent into the cylinder.

The higher density of the compressed air per cylinder volume results in increased output compared with non-turbocharged engines of the same displacement.

■ Advantages

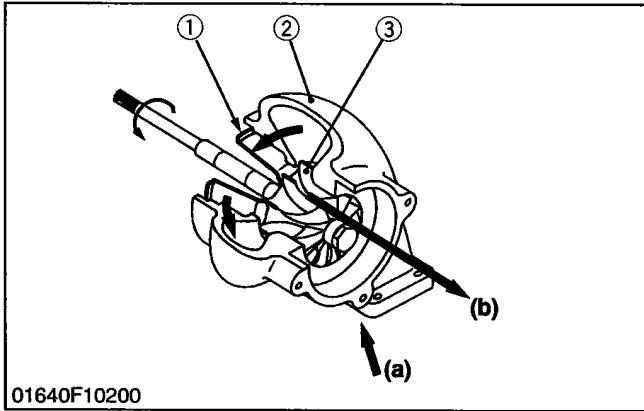
Turbocharged engine have the following advantages:

1. Despite the increase in output, there is little increase in friction loss. Therefore, good mechanical efficiency is insured.
2. During overlap (when both the suction and exhaust valves are open), compressed air forces out exhaust gas and fills the cylinder with fresh air. This increases combustion efficiency.
3. Improvements in mechanical and combustion efficiency lead to a lower fuel consumption.

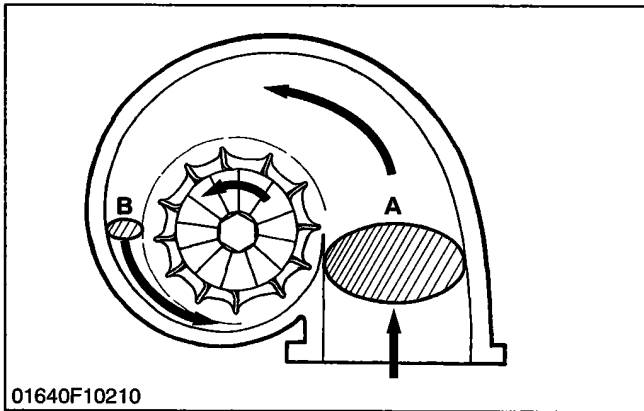
- | | |
|----------------------|----------------------|
| (1) Air Cleaner | (6) Intake Valve |
| (2) Turbocharger | (7) Compressor Wheel |
| (3) Turbine Wheel | |
| (4) Waste Gate Valve | (a) Air |
| (5) Exhaust Valve | (b) Exhaust Gas |

01640M10080

(2) Turbine



01640F10200



01640F10210

This is a radial flow turbine.
The turbine wheel assembly (3) uniting the turbine wheel and shaft is designed to balance even at high speeds.

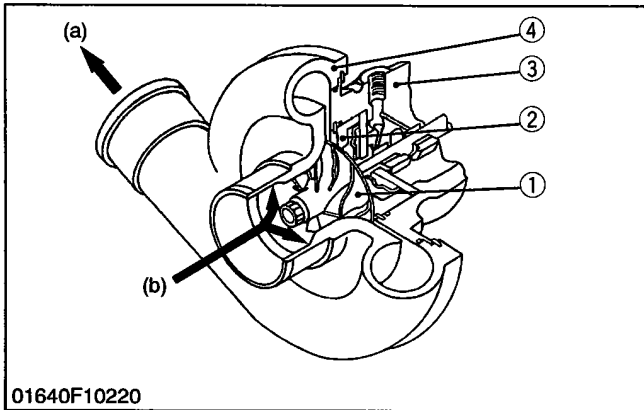
The turbine housing (2) has a vortex gas passage. As the passage becomes smaller (from "A" to "B"), the gas flow rate increases so that the turbine is rotated at high speeds.

The turbine back plate (1) prevents the bearing housing and bearing (floating metal) inside from being directly exposed to the heat of the exhaust gas on the turbine wheel side.

- (1) Turbine Back Plate
- (2) Turbine Housing
- (3) Turbine Wheel Assembly
- (a) From Cylinder
- (b) To Exhaust Muffler

01640M10090

(3) Compressor



01640F10220

A radial flow compressor is used.
The compressor consists of a cast compressor wheel (1), bearing housing (3), insert (2), compressor cover (4).

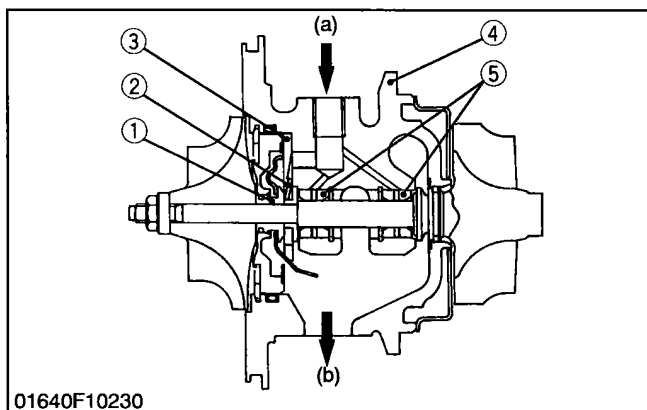
Air is sucked at high speed by the compressor wheel. As it passes through the spiral passage in the housing, its speed is reduced to the proper level and forced into the cylinder.

The compressor wheel is a precision-cast component, which maintains the proper balance even at high speeds. Its blades are curved backward to ensure the highest performance.

The compressor housing is designed to regulate the air flow drawn by the wheel and increase its pressure.

- (1) Compressor Wheel
- (2) Insert
- (3) Bearing Housing
- (4) Compressor Cover
- (a) To Cylinder
- (b) From the Air Cleaner

01640M10100

(4) Bearing

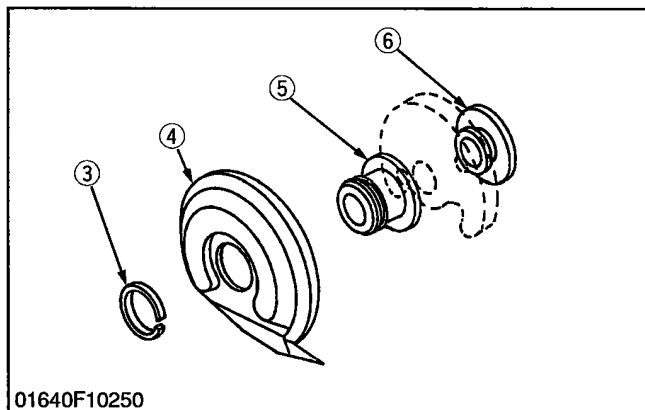
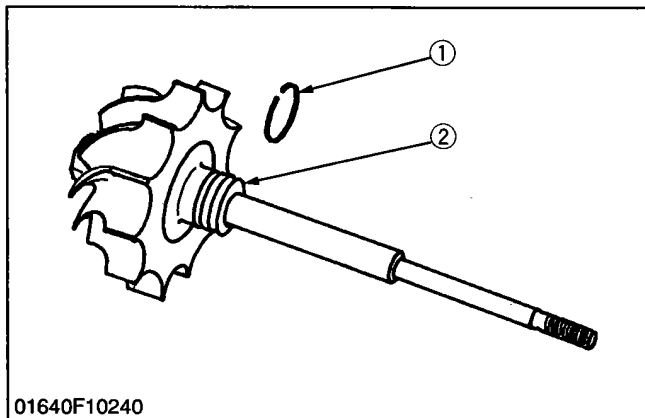
The shaft rotates at a very high speed-tens of thousands of revolutions per minute. To withstand high speeds, the bearings (5) use floating metals. These bearings float on a film oil between the shaft and bearing housing (4) and rotate to reduce the sliding friction.

The shaft also receives thrust force (in the axial direction) on the compressor side from both the turbine and compressor wheels. This load is borne by the thrust bearing (3) fitted between the thrust sleeve (1) and thrust ring (2) which is secured to the shaft and turns together with the shaft.

Lubricating oil fed from the engine's oil pump enters the bearing section through the top of the bearing housing and passes through the internal passages, lubricating the bearings. After that, it returns to the engine from the bottom of the bearing housing.

- | | |
|---------------------|--------------------------|
| (1) Thrust Sleeve | (a) From Engine Oil Pump |
| (2) Thrust Ring | (b) To the Engine |
| (3) Thrust Bearing | |
| (4) Bearing Housing | |
| (5) Bearing | |

01640M10110

(5) Seals (Piston Rings)

When lubricating oil leaks on the turbine or compressor wheel side, it will adhere to the wheel or housing. The oil may then be contaminated with dust or carbon. Such contamination will destroy the balance of the rotating shaft and prevent normal operation.

To prevent this problem, lubricating oil is sealed by the following parts:

On the turbine wheel side

- * A piston ring (1) is placed over the shaft.
- * The shaft itself has an oil fling portion (2).

On the compressor wheel side

- * A piston ring (3) is placed over the thrust sleeve (5).
- * The oil deflector (4), which is placed on the thrust sleeve (5), prevents oil from leaking to the piston ring side.

In addition, oil is prevented from leaking to the outside by a seal ring (square rubber ring) placed between the center housing and the back plate.

- | | |
|--|-------------------|
| (1) Piston Ring
(on the Turbine Side) | (4) Oil Deflector |
| (2) Oil Fling Portion | (5) Thrust Sleeve |
| (3) Piston Ring
(Compressor Side) | (6) Thrust Ring |

01640M10120

SERVICING

CONTENTS

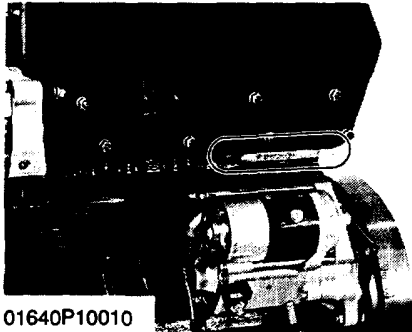
6	GENERAL	S-1
[1]	ENGINE IDENTIFICATION	S-1
	(1) Model Name and Engine Serial Number.....	S-1
	(2) Cylinder Number	S-1
[2]	GENERAL PRECAUTION	S-3
[3]	TIGHTENING TORQUES	S-5
	(1) Tightening torques for special use screws, bolts and nuts.....	S-5
	(2) Tightening torques for general use screws, bolts and nuts.....	S-5
[4]	TROUBLESHOOTING	S-8
[5]	SERVICING SPECIFICATIONS	S-19
	(1) Engine Body.....	S-19
	(2) Lubricating System.....	S-25
	(3) Cooling System	S-25
	(4) Fuel System	S-26
	(5) Electrical System.....	S-27
[6]	MAINTENANCE CHECK LIST	S-44
[7]	CHECK AND MAINTENANCE	S-47
	(1) Daily Check Points	S-47
	(2) Check Point of Every 50 hours.....	S-49
	(3) Check Point of Every 100 hours.....	S-51
	(4) Check Point of Every 800 hours.....	S-57
	(5) Check Point of 1500 hours (Serial No : ~ 489290).....	S-59
[8]	SPECIAL TOOLS	S-59
7	ENGINE BODY	S-73
	CHECKING AND ADJUSTING	S-73
	DISASSEMBLING AND ASSEMBLING	S-75
[1]	DRAINING WATER AND OIL	S-77
[2]	EXTERNAL COMPONENTS	S-77
[3]	CYLINDER HEAD AND VALVES	S-79
[4]	GEAR CASE	S-83
[5]	PISTON AND CONNECTING ROD	S-95
[6]	LYWHEEL AND CRANKSHAFT	S-101
	SERVICING	S-105
	[1] CYLINDER HEAD	S-105
	[2] TIMING GEAR AND CAMSHAFT	S-115
	[3] PISTON AND CONNECTING ROD	S-119
	[4] CRANKSHAFT	S-125
	[5] CYLINDER	S-137
8	LUBRICATING SYSTEM	S-141
	CHECKING	S-141
	SERVICING	S-141
	[1] OIL PUMP	S-141
9	COOLING SYSTEM	S-145
	CHECKING	S-145
	[1] FAN BELT	S-145
	[2] RADIATOR	S-145
	DISASSEMBLING AND ASSEMBLING	S-147

4	FUEL SYSTEM.....	S-151
	CHECKING AND ADJUSTING.....	S-151
	[1] INJECTION PUMP.....	S-151
	[2] INJECTION NOZZLE.....	S-155
	DISASSEMBLING AND ASSEMBLING.....	S-157
	[1] INJECTION PUMP.....	S-157
	[2] INJECTION NOZZLE.....	S-159
5	ELECTRICAL SYSTEM.....	S-161
	CHECKING.....	S-161
	[1] STARTER.....	S-161
	[2] GLOW PLUG.....	S-163
	DISASSEMBLING AND ASSEMBLING.....	S-163
	[1] STARTER.....	S-163
	[2] ALTERNATOR.....	S-165
	SERVICING.....	S-171
	[1] STARTER.....	S-171
	[2] ALTERNATOR.....	S-175
6	TURBO CHARGER SYSTEM.....	S-181
	CHECKING.....	S-181
	DISASSEMBLING AND ASSEMBLING.....	S-185

G GENERAL

[1] ENGINE IDENTIFICATION

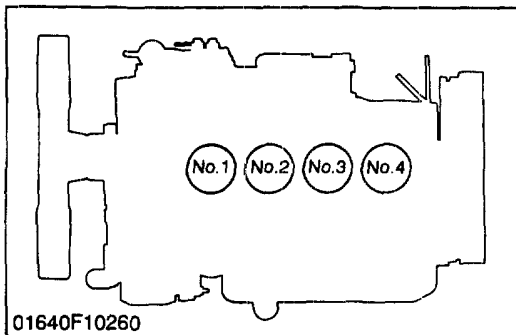
(1) Model Name and Engine Serial Number



When contacting the manufacturer, always specify your engine model name and serial number.

01640S10010

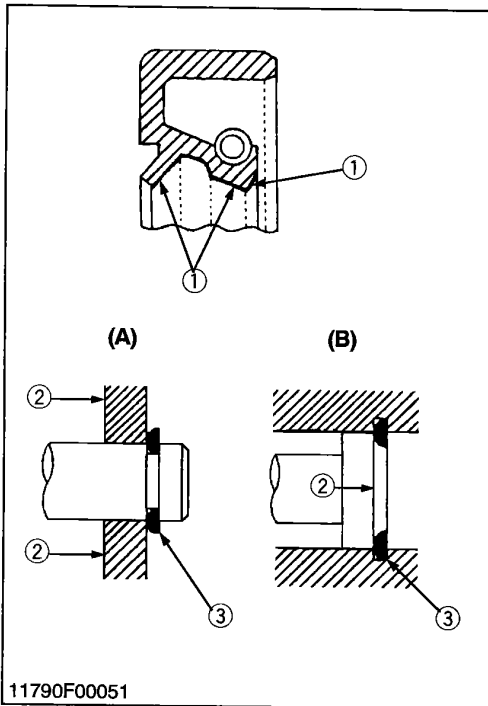
(2) Cylinder Number



The cylinder numbers of 05 SERIES diesel engine are designated as shown in the figure.

The sequence of cylinder numbers is given as No. 1, No. 2, No. 3 and No. 4 starting from the gear case side.

01640S10020

[2] GENERAL PRECAUTION

11790F00051

- During disassembly, carefully arrange removed parts in a clean area to prevent confusion later. Screws, bolts and nuts should be replaced in their original position to prevent reassembly errors.
- When special tools are required, use KUBOTA genuine special tools. Special tools which are not frequently used should be made according to the drawings provided.
- Before disassembling or servicing live wires, make sure to always disconnect the grounding cable from the battery first.
- Remove oil and dirt from parts before measuring.
- Use only KUBOTA genuine parts for parts replacement to maintain engine performance and to ensure safety.
- Gaskets and O-rings must be replaced during reassembly. Apply grease to new O-rings or oil seals before assembling.
- When reassembling external or internal snap rings, position them so that the sharp edge faces against the direction from which force is applied.
- Be sure to perform run-in the serviced or reassembled engine. Do not attempt to give heavy load at once, or serious damage may result to the engine.

⚠ CAUTION

- **Certain components used in this engine (cylinder head-gasket, exhaust gasket, etc.) contain asbestos. Handle with care according to safety regulation.**

- | | |
|---|------------------------|
| (1) Grease | (A) External Snap Ring |
| (2) Force | (B) Internal Snap Ring |
| (3) Place the Sharp Edge against the Direction of Force | |

01640S10030

[3] TIGHTENING TORQUES

Screws, bolts and nuts must be tightened to the specified torque using a torque wrench, several screws, bolts and nuts such as those used on the cylinder head must be tightened in proper sequence and at the proper torque.

01640S10760

(1) Tightening torques for special use screws, bolts and nuts

■ NOTE

- In removing and applying the bolts and nuts marked with “*”, a pneumatic wrench or similar pneumatic tool, if employed, must be used with enough care not to get them seized.
- For “*” marked screws, bolts and nuts on the table, apply engine oil to their threads and seats before tightening.
- The letter “M” in Size × Pitch means that the screw, bolt or nut dimension stands for metric. The size is the nominal outside diameter in mm of the threads. The pitch is the nominal distance in mm between two threads.

Item	Size × Pitch	N·m	kgf·m	ft-lbs
* Cylinder head cover cap nuts	M7 × 1.0	6.9 to 8.8	0.7 to 0.9	5.1 to 6.5
* Cylinder head screws	M10 × 1.25	63.7 to 68.6	6.5 to 7.0	47.0 to 50.6
* Main bearing case screws 1	M8 × 1.25	29.4 to 34.3	3.0 to 3.5	21.7 to 25.3
* Main bearing case screws 2	M9 × 1.25	49.0 to 53.9	5.0 to 5.5	36.2 to 39.8
* Flywheel screws	M10 × 1.25	53.9 to 58.8	5.5 to 6.0	39.8 to 43.4
* Connecting rod screws	M8 × 1.0	41.2 to 46.1	4.2 to 4.7	30.4 to 34.0
* Rocker arm bracket nuts	M7 × 1.0	21.6 to 26.5	2.2 to 2.7	15.9 to 19.5
* Idle gear shaft screws	M6 × 1.0	9.8 to 11.3	1.00 to 1.15	7.2 to 8.3
* Crankshaft (Serial No: ~ 604086)	M14 × 1.5	142.2 to 152.0	14.5 to 15.5	104.9 to 112.1
end bolt (Serial No: 604087 ~)	M14 × 1.5	235.4 to 245.2	24.0 to 25.0	173.6 to 180.8
* Bearing case cover screws	M6 × 1.0	9.8 to 11.3	1.00 to 1.15	7.2 to 8.3
Glow plugs (Serial No: ~ 489290)	M10 × 1.25	19.6 to 24.5	2.0 to 2.5	14.5 to 18.1
(Serial No: 489291 ~)	M8 × 1.0	7.8 to 14.7	0.8 to 1.5	5.8 to 10.8
Nozzle holder assembly	M20 × 1.5	49.0 to 68.6	5.0 to 7.0	36.2 to 50.6
Oil switch taper screw	PT 1/8	14.7 to 19.6	1.5 to 2.0	10.8 to 14.5
Injection pipe retaining nuts	M12 × 1.5	24.5 to 34.3	2.5 to 3.5	18.1 to 25.3
Overflow pipe assembly retaining nuts	M12 × 1.5	19.6 to 24.5	2.0 to 2.5	14.5 to 18.1
Starter's terminal B mounting nut	M8	8.8 to 11.8	0.9 to 1.2	6.5 to 8.7

11790S10643

(2) Tightening torques for general use screws, bolts and nuts

When the tightening torques are not specified, tighten the screws, bolts and nuts according to the table below.

Nominal Diameter	Grade	Standard Screw and Bolt			Special Screw and Bolt		
		④			⑦		
		Unit	N·m	kgf·m	ft-lbs	N·m	kgf·m
M6		7.9 to 9.3	0.80 to 0.95	5.8 to 6.9	9.8 to 11.3	1.00 to 1.15	7.23 to 8.32
M8		17.7 to 20.6	1.8 to 2.1	13.0 to 15.2	23.5 to 27.5	2.4 to 2.8	17.4 to 20.3
M10		39.2 to 45.1	4.0 to 4.6	28.9 to 33.3	48.1 to 55.9	4.9 to 5.7	35.4 to 41.2
M12		62.8 to 72.6	6.4 to 7.4	46.3 to 53.5	77.5 to 90.2	7.9 to 9.2	57.1 to 66.5

Screw and bolt material grades are shown by numbers punched on the screw and bolt heads. Prior to tightening, be sure to check out the numbers as shown below.

Punched number	Screw and bolt material grade
None or 4	Standard screw and bolt SS41, S20C
7	Special screw and bolt S43C, S48C (Refined)

01640S10040

[4] TROUBLESHOOTING

Symptom	Probable Cause	Solution	Reference Page
Engine Does Not Start	<ul style="list-style-type: none"> • No fuel • Air in the fuel system • Water in the fuel system • Fuel pipe clogged • Fuel filter clogged • Excessively high viscosity of fuel or engine oil at low temperature • Fuel with low cetane number • Fuel leak due to loose injection pipe retaining nut • Incorrect injection timing • Fuel camshaft worn • Injection nozzle clogged • Injection pump malfunctioning • Seizure of crankshaft, camshaft, piston, cylinder or bearing • Compression leak from cylinder • Improper valve timing • Piston ring and cylinder worn • Excessive valve clearance 	Replenish fuel Vent air Change fuel and repair or replace fuel system Clean Clean or change Use specified fuel or engine oil Use specified fuel Tighten retaining nut Adjust Replace Clean Repair or replace Repair or replace Replace head gasket, tighten cylinder head screw, glow plug and nozzle holder Correct or replace timing gear Replace Adjust	– S-49 – – S-53 S-51 – – S-151, 153 S-89 S-155, 157 S-87, 153, S-155 – S-73, 79, S-81 S-95 S-121, 123, S-137 S-57
(Starter Does Not Run)	<ul style="list-style-type: none"> • Battery discharged • Starter malfunctioning • Key switch malfunctioning • Wiring disconnected 	Charge Repair or replace Repair or replace Connect	– – – –
Engine Revolution Is Not Smooth	<ul style="list-style-type: none"> • Fuel filter clogged or dirty • Air cleaner clogged • Fuel leak due to loose injection pipe retaining nut • Injection pump malfunctioning • Incorrect nozzle opening pressure • Injection nozzle stuck or clogged • Governor malfunctioning 	Clean or change Clean or change Tighten retaining nut Repair or replace Adjust Repair or replace Repair	S-53 S-55 – S-87, 153, S-155 S-155, 157 S-155, 157 S-91
Either White or Blue Exhaust Gas Is Observed	<ul style="list-style-type: none"> • Excessive engine oil • Piston ring and liner worn or stuck • Incorrect injection timing • Deficient compression 	Reduce to specified level Repair or replace Adjust Adjust top clearance	S-47, 51 S-121, 123, S-137 S-151, 153 S-73

11790S1055

Symptom	Probable Cause	Solution	Reference Page
Either Black or Dark Gray Exhaust Gas Is Observed	<ul style="list-style-type: none"> • Overload • Low grade fuel used • Fuel filter clogged • Air cleaner clogged • Deficient nozzle injection 	Lessen load Use specified fuel Clean or change Clean or change Repair or replace nozzle	— — S-53 S-55 S-155, 157
Deficient Output	<ul style="list-style-type: none"> • Incorrect injection timing • Engine's moving parts seem to be seizing • Uneven fuel injection • Deficient nozzle injection • Compression leak 	Adjust Repair or replace Repair or replace injection pump Repair or replace nozzle Replace head gasket, tighten cylinder head screw, glow plug and nozzle holder	S-151, 153 — S-87, 151, S-153 S-155, 157 S-73, 79, S-81
Excessive Lubricant Oil Consumption	<ul style="list-style-type: none"> • Piston ring's gap facing the same direction • Oil ring worn or stuck • Piston ring groove worn • Valve stem and valve guide worn • Crankshaft bearing, and crank pin bearing worn • Oil leaking due to defective seals or packing 	Shift ring gap direction Replace Replace piston Replace Replace Replace	S-97 S-99, 121, S-123 S-99, 123 S-107, 109 S-133, 135 —
Fuel Mixed into Lubricant Oil	<ul style="list-style-type: none"> • Injection pump's plunger worn • Deficient nozzle injection • Injection pump broken 	Replace pump element or injection pump Repair or replace nozzle Replace	S-87, 153, S-155 S-79, 159 S-87
Water Mixed into Lubricant Oil	<ul style="list-style-type: none"> • Head gasket defective • Cylinder block or cylinder head flawed 	Replace Replace	S-81 S-107
Low Oil Pressure	<ul style="list-style-type: none"> • Engine oil insufficient • Oil strainer clogged • Relief valve stuck with dirt • Relief valve spring weaken or broken • Excessive oil clearance of crankshaft bearing • Excessive oil clearance of crankpin bearing • Excessive oil clearance of rocker arm bearing • Oil passage clogged • Different type of oil • Oil pump defective 	Replenish Clean Clean Replace Replace Replace Replace Replace Clean Use specified type of oil Repair or replace	S-47, 51 S-95 — — S-129, 131, S-133 S-127 S-113 — — S-141, 143
High Oil Pressure	<ul style="list-style-type: none"> • Different type of oil • Relief valve defective 	Use specified type of oil Replace	— —

11790S10562

Symptom	Probable Cause	Solution	Reference Page
Engine Overheated	<ul style="list-style-type: none"> ● Engine oil insufficient ● Fan belt broken or elongated ● Cooling water insufficient ● Radiator net and radiator fin clogged with dust ● Inside of radiator corroded ● Cooling water flow route corroded ● Radiator cap defective ● Overload running ● Head gasket defective ● Incorrect injection timing ● Unsuitable fuel used 	Replenish Replace or adjust Replenish Clean Clean or replace Clean or replace Replace Loosen load Replace Adjust Use specified fuel	S-47, 51 S-53 — — — — S-147 — S-81 S-151, 153 —
Battery Quickly Discharge	<ul style="list-style-type: none"> ● Battery electrolyte insufficient ● Fan belt slips ● Wiring disconnected ● Rectifier defective ● Alternator defective ● Battery defective 	Replenish distilled water and charge Adjust belt tension or change Correct Replace Replace Change	— S-53 — S-179 S-175, 177, S-179 —

11790S10571

[5] SERVICING SPECIFICATIONS**(1) Engine Body****Cylinder Head**

Item	Factory Specification	Allowable Limit
Cylinder Head Surface Flatness	—	0.05 mm 0.0019 in.
Top Clearance	0.55 to 0.75 mm 0.0217 to 0.0295 in.	—
Compression Pressure	2.84 to 3.23 MPa 29.0 to 33.0 kgf/cm ² 412 to 469 psi	2.25 MPa 23 kgf/cm ² 327 psi
Variance Among Cylinders	—	10 % or less

Valves

Valve Clearance (Cold)		0.145 to 0.185 mm 0.0057 to 0.0072 in.	—
Valve Seal Width	IN.	2.12 mm 0.0835 in.	—
	EX.	2.12 mm 0.0835 in.	—
Valve Seat Angle	IN.	1.047 rad. 60°	—
	EX.	0.785 rad. 45°	—
Valve Face Angle	IN.	1.047 rad. 60°	—
	EX.	0.785 rad. 45°	—
Valve Recessing		– 0.05 to 0.25 mm 0.0020 to 0.0060 in.	0.4 mm 0.016 in.
Clearance between Valve Stem and Valve Guide		0.035 to 0.065 mm 0.0014 to 0.0025 in.	0.1 mm 0.0039 in.
		6.960 to 6.975 mm 0.2741 to 0.2764 in.	—
		7.010 to 7.025 mm 0.2760 to 0.2765 in.	—

01640S10450

Valve Timing

Item		Factory Specification	Allowable Limit	
Intake Valve Open	D905-B (E) D1005-B (E) V1205-B (E) V1205-T-B (E) V1305-B (E) D1105-B (E) V1505-B (E)	0.24 rad. (14°) before T.D.C.	—	
	D1105-T-B (E) V1505-T-B (E)	0.38 rad. (22°) before T.D.C.	—	
	Close	D905-B (E) D1005-B (E) V1205-B (E) V1205-T-B (E) V1305-B (E) D1105-B (E) V1505-B (E)	0.52 rad. (30°) after B.D.C.	—
		D1105-T-B (E) V1505-T-B (E)	0.82 rad. (47°) after B.D.C.	—
Exhaust Valve Open	D905-B (E) D1005-B (E) V1205-B (E) V1205-T-B (E) V1305-B (E) D1105-B (E) V1505-B (E)	0.96 rad. (55°) before B.D.C.	—	
	D1105-T-B (E) V1505-T-B (E)	0.91 rad. (52°) before B.D.C.	—	
	Close	D905-B (E) D1005-B (E) V1205-B (E) V1205-T-B (E) V1305-B (E) D1105-B (E) V1505-B (E)	0.24 rad. (14°) after T.D.C.	—
		D1105-T-B (E) V1505-T-B (E)	0.30 rad. (17°) after T.D.C.	—

Valve Spring

Free Length	37.0 to 37.5 mm 1.457 to 1.476 in.	36.5 mm 1.437 in.
Setting Load / Setting Length	11.97 kgf / 31.0 mm 117.4 N / 31.0 mm 26.4 lbs / 1.22 in.	10.2 kgf / 31.0 mm 100.0 N / 31.0 mm 22.5 lbs / 1.22 in.
Tilt	—	1.0 mm 0.039 in.

01642S10460

Rocker Arm

Item	Factory Specification	Allowable Limit
Clearance between Rocker Arm Shaft and Rocker Arm	0.016 to 0.045 mm 0.0006 to 0.0018 in.	0.10 mm 0.0039 in.
Rocker Arm Shaft O.D.	11.973 to 11.984 mm 0.4714 to 0.4718 in.	—
Rocker Arm I.D.	12.000 to 12.018 mm 0.4724 to 0.4731 in.	—

Tappet

Clearance between Tappet and Guide	0.020 to 0.062 mm 0.0008 to 0.0024 in.	0.07 mm 0.0028 in.
Tappet O.D.	19.959 to 19.980 mm 0.7858 to 0.7866 in.	—
Tappet Guide I.D.	20.000 to 20.021 mm 0.7874 to 0.7882 in.	—

Camshaft

Camshaft Side Clearance		0.07 to 0.22 mm 0.0028 to 0.0087 in.	0.3 mm 0.0118 in.
Camshaft Alignment		—	0.01 mm 0.0004 in.
Cam Height	IN.	28.80 mm 1.1339 in.	28.75 mm 1.1319 in.
	EX.	29.00 mm 1.1417 in.	28.95mm 1.1398 in.
Oil Clearance of Camshaft		0.050 to 0.091 mm 0.0020 to 0.0036 in.	0.12 mm 0.0047 in.
Camshaft Journal O.D.		35.934 to 35.050 mm 1.4147 to 1.3799 mm	—
Camshaft Bearing I.D.		36.000 to 36.025 mm 1.4173 to 1.4183 in.	—

01640S10470

Timing Gear

Item	Factory Specification	Allowable Limit
Timing Gear Backlash		
Crank Gear-Idle Gear 1	0.032 to 0.115 mm 0.0013 to 0.0045 in.	0.15 mm 0.0059 in.
Idle Gear 1-Cam Gear	0.036 to 0.114 mm 0.0014 to 0.0045 in.	0.15 mm 0.0059 in.
Idle Gear 1-Injection Pump Gear	0.034 to 0.116 mm 0.0013 to 0.0046 in.	0.15 mm 0.0059 in.
Idle Gear 1-Idle Gear 2	0.0033 to 0.117 mm 0.0013 to 0.0046 in.	0.15 mm 0.0059 in.
Idle Gear 2-Governor Gear	0.030 to 0.117 mm 0.0012 to 0.0046 in.	0.15 mm 0.0059 in.
Clearance between Idle Gear Shaft and Idle Gear Bushing		
Idle Gear 1	0.020 to 0.054 mm 0.0008 to 0.0021 in.	0.10 mm 0.0039 in.
Idle Gear Bushing I.D.	26.000 to 26.021 mm 1.0236 to 1.0244 in.	—
Idle Gear Shaft 1 O.D.	25.967 to 25.980 mm 1.0223 to 1.0228 in.	—
Idle Gear 2	0.020 to 0.054 mm 0.0008 to 0.0021 in.	0.10 mm 0.0039 in.
Idle Gear Bushing I.D.	26.000 to 26.021 mm 1.0236 to 1.0244 in.	—
Idle Gear Shaft 2 O.D.	25.967 to 25.980 mm 1.0223 to 1.0228 in.	—
Idle Gear Side Clearance		
Idle Gear 1	0.20 to 0.51 mm 0.0079 to 0.0200 in.	0.8 mm 0.0315 in.
Idle Gear 2	0.20 to 0.51 mm 0.0079 to 0.0200 in.	0.8 mm 0.315 in.

01640S10480

Piston · Piston Ring

Item		Factory Specification	Allowable Limit	
Piston Pin Bore		22.000 to 22.013 mm 0.8661 to 0.8687 in.	22.03 mm 0.8673 in.	
Clearance between Compression Ring 2 and Ring Groove		0.085 to 0.112 mm 0.0033 to 0.0044 in.	0.20 mm 0.0079 in.	
Clearance between Oil Ring and Ring Groove		0.020 to 0.055 mm 0.0008 to 0.0021 in.	0.15 mm 0.0059 in.	
Ring Gap	Compression Ring 1	D905-B (E) V1205-B (E)	0.25 to 0.40 mm 0.0098 to 0.0157 in.	1.25 mm 0.0492 in.
		D1005-B (E) V1305-B (E) D1105-B (E) V1505-B (E)	0.30 to 0.45 mm 0.0118 to 0.0170 in.	1.25 mm 0.0492 in.
		D1105-T-B (E) V1205-T-B (E) V1505-T-B (E)	0.20 to 0.35 mm 0.0079 to 0.0138 in.	1.20 mm 0.047 in.
	Compression Ring 2	D905-B (E) V1205-B (E)	0.25 to 0.40 mm 0.0098 to 0.0157 in.	1.25 mm 0.0492 in.
		D1005-B (E) V1305-B (E) D1105-B (E) V1505-B (E)	0.30 to 0.45 mm 0.0118 to 0.0170 in.	1.25 mm 0.0492 in.
		V1205-T-B (E)	0.20 to 0.35 mm 0.0079 to 0.0138 in.	1.20 mm 0.047 in.
	Oil Ring	D1105-T-B (E) V1505-T-B (E)	0.40 to 0.55 mm 0.0157 to 0.0217 in.	1.20 mm 0.047 in.
		D905-B (E) D1005-B (E) V1205-B (E) V1205-T-B (E) V1305-B (E) D1105-B (E) V1505-B (E)	0.25 to 0.40 mm 0.0098 to 0.0157 in.	1.25 mm 0.0492 in.
		D1105-T-B (E) V1505-T-B (E)	0.30 to 0.55 mm 0.0118 to 0.0217 in.	1.25 mm 0.0492 in.

Connecting Rod

Connecting Rod Alignment	-	0.05 mm 0.0020 in.
Clearance between Piston Pin and Small end Bushing	0.014 to 0.038 mm 0.0006 to 0.0015 in.	0.15 mm 0.0059 in.
Piston Pin O.D.	22.002 to 22.011 mm 0.8662 to 0.8666 in.	-
Small End Bushing I.D.	22.025 to 22.040 mm 0.8671 to 0.8677 in.	-

01642S10490

Crankshaft

Item	Factory Specification	Allowable Limit
Crankshaft Alignment	—	0.02 mm 0.0008 in.
Oil Clearance between Crankshaft and Crankshaft Bearing 1	0.034 to 0.114 mm 0.0013 to 0.0045 in.	0.20 mm 0.0079 in.
Crankshaft O.D.	47.934 to 47.950 mm 1.8872 to 1.8878 in.	—
Crankshaft Bearing 1 I.D.	47.984 to 48.084 mm 1.8891 to 1.8917 in.	—
Oil Clearance between Crankshaft and Crankshaft Bearing 2	0.034 to 0.095 mm 0.0013 to 0.0037 in.	0.20 mm 0.0079 in.
Crankshaft O.D.	47.934 to 47.950 mm 1.8872 to 1.8878 in.	—
Crankshaft Bearing 2 I.D.	47.984 to 48.029 mm 1.8891 to 1.8909 in.	—
Oil Clearance between Crankshaft and Crankshaft Bearing 3	0.034 to 0.098 mm 0.0013 to 0.0039 in.	0.20 mm 0.0079 in.
Crankshaft O.D.	51.921 to 51.940 mm 2.0441 to 2.0449 in.	—
Crank bearing 3 I.D.	51.974 to 52.019 mm 2.0462 to 2.0480 in.	—
Oil Clearance between Crank Pin and Crank Pin Bearing	0.029 to 0.091 mm 0.0011 to 0.0036 in.	0.20 mm 0.0079 in.
Crank Pin O.D.	39.959 to 39.975 mm 1.5732 to 1.5738 in.	—
Crank Pin Bearing I.D.	40.004 to 40.050 mm 1.5750 to 1.5768 in.	—
Crankshaft Side Clearance	0.15 to 0.31 mm 0.0059 to 0.0122 in.	0.50 mm 0.0197 in.

Cylinder Liner

Cylinder Liner I.D.	D905-B (E) V1205-B (E) V1205-T-B (E)	72.000 to 72.019 mm 2.8346 to 2.8354 in.	+ 0.15 mm 0.0059 in.
	D1005-B (E) V1305-B (E)	76.000 to 76.019 mm 2.9921 to 2.9929 in.	+ 0.15 mm 0.0059 in.
	D1105-B (E) D1105-T-B (E) V1505-B (E) V1505-T-B (E)	78.000 to 78.019 mm 3.0709 to 3.0716 in.	+ 0.15 mm 0.0059 in.
Oversized Cylinder Liner I.D.		+ 0.5 mm + 0.0197 in.	+ 0.15 mm 0.0059 in.

01642S10500

(2) Lubricating System**Oil Pump**

Item	Factory Specification	Allowable Limit
Engine Oil Pressure At Idle Speed	49 kPa 0.5 kgf/cm ² 7 psi	—
At Rated Speed	196.0 to 441.0 kPa 2.0 to 4.5 kgf/cm ² 28.0 to 64.0 psi	147.1 kPa 1.5 kgf/cm ² 21.3 psi
Clearance between Inner Rotor and Outer Rotor	0.06 to 0.18 mm 0.0024 to 0.0071 in.	—
Clearance between Outer Rotor and Pump Body	0.100 to 0.180 mm 0.0039 to 0.0071 in.	—
End Clearance between Inner Rotor and Cover	0.025 to 0.75 mm 0.0098 to 0.0295 in.	—

01642S10510

(3) Cooling System**Thermostat**

Thermostat's Valve Opening Temperature	69.5 to 72.5 °C 157.1 to 162.5 °F	—
Temperature at Which Thermostat Completely Opens	85 °C 185 °F	—

Radiator

Radiator Water Tightness	Water tightness at specified pressure 137 kPa (1.4 kgf/cm ² , 20 psi)	—
Radiator Cap Air Leakage	10 seconds or more 88 → 59 kPa 0.9 → 0.6 kgf/cm ² 13 → 9 psi	—
Fan Belt Tension	10 to 12 mm / 98 N 10 to 12 mm / 10 kgf 0.394 to 0.472 in. / 22.1 lbs.)	—

01640S10520

(4) Fuel System

Injection Pump

Item		Factory specification	Allowable Limit
Injection Timing Without Timer	3000 rpm	0.31 to 0.35 rad. (18 to 20°) Before T.D.C.	—
	3600 rpm	0.37 to 0.40 rad. (21 to 23°) Before T.D.C.	—
With Timer	3000 rpm	0.14 to 0.17 rad. (8 to 10°) Before T.D.C.	—
	V1505-B (E)	0.21 to 0.24 rad. (12 to 14°) Before T.D.C.	—
	3600 rpm	0.16 to 0.19 rad. (9 to 11°) Before T.D.C.	—
Fuel Tightness of Pump Element		—	14.7 MPa 150 kgf/cm ² 2133 psi
Fuel Tightness of Delivery Valve		More 10 seconds 14.7 → 13.7 MPa 150 → 140 kgf/cm ² 2133 → 1990 psi	5 seconds 14.7 → 13.7 MPa 150 → 140 kgf/cm ² 2133 → 1990 psi

Injection Nozzle

Fuel Injection Pressure	13.73 to 14.71 MPa 140 to 150 kgf/cm ² 1991 to 2133 psi	—
Fuel Tightness of Nozzle Valve Seat	When the pressure is 12.75 MPa (130 kgf/cm ² , 1849 psi), the valve seat must be fuel tightness	—

01642S10530

(5) Electrical System**Starter**

Item	Factory Specification	Allowable Limit
Commutator O.D.	30.0 mm 1.1811 in.	29.0 mm 1.1417 in.
Mica Undercut	0.5 to 0.8 mm 0.0197 to 0.0315 in.	0.2 mm 0.079 in.
Brush Length	13.0 mm 0.5118 in.	8.5 mm 0.3346 in.

Alternator

No-load Voltage	13.5 V at 5000 rpm	—
Stator Resistance	Less than 1 Ω	—
Rotor Resistance	2.9 Ω	—
Slip Ring O.D.	14.4 mm 0.5669 in.	14 mm 0.5512 in.
Brush Length	10.0 mm 0.3937 in.	1.5 mm 0.0591 in.

Glow Plug

Glow Plug Resistance A	Approx. 1.0 to 1.2 Ω	—
B	Approx. 0.9 Ω	—

A : S / N 489290 & below
 B : S / N 489291 & above

01640S10540

[6] MAINTENANCE CHECK LIST

To maintain long-lasting and safe engine performance, make it a rule to carry out regular inspections by following the table below.

Item	Service Interval											
	Every 50 hrs	Every 75 hrs	Every 100 hrs	Every 150 hrs	Every 200 hrs	Every 300 hrs	Every 400 hrs	Every 500 hrs	Every 800 hrs	Every 1500 hrs	Every one year	Every two years
Checking fuel pipes and clamps	☆											
* Changing engine oil	(1), (3) Oil pan depth (101 mm)	(1) ☆		(3) ☆								
	(2), (4) Oil pan depth (125 mm)		(2) ☆		(4) ☆							
Cleaning air filter element			☆									
Cleaning fuel filter element			☆									
Checking fan belt tension and damage			☆									
Checking water pipes and clamps					☆							
* Changing oil filter cartridge	(5), (7) Oil pan depth (101 mm)			(5) ☆		(7) ☆						
	(6), (8) Oil pan depth (125 mm)				(6) ☆		(8) ☆					
Changing fuel filter cartridge							☆					
Cleaning radiator interior								☆				
Changing radiator coolant (L.L.C)												☆
** Checking injection nozzle										☆		
Changing air filter element											☆	
Checking valve clearance									☆			
Changing water pipes and clamps												☆
Changing fuel pipes and clamps												☆

(1), (2) For generators (3000 / 3600 rpm)

(3), (4) For generators (1800 / 1500 rpm) and general construction / industrial machinery and farm equipment

(5), (6) For generators (3000 / 3600 rpm) and general construction / industrial machinery and farm equipment

(7), (8) For generators (1800 / 1500 rpm)

* Change engine oil and oil cartridge after the first 50 hours of operation.

** Maintenance intervals as per EPA instructions.



CAUTION

- When changing or inspecting, be sure to level and stop the engine.

01640S10730

[7] CHECK AND MAINTENANCE

(1) Daily Check Points

Checking Engine Oil Level

1. Level the engine.
2. To check the oil level, draw out the dipstick, wipe it clean, reinsert it, and draw it out again.
Check to see that the oil level lies between the two notches.
3. If the level is too low, add new oil to the specified level.

■ IMPORTANT

- **When using an oil of different maker or viscosity from the previous one, drain old oil. Never mix two different types of oil.**

01640S10050

Checking and Replenish Cooling Water

1. Remove the radiator cap and check to see that the cooling water level is just below the port.
2. If low, add clean water and antifreeze.



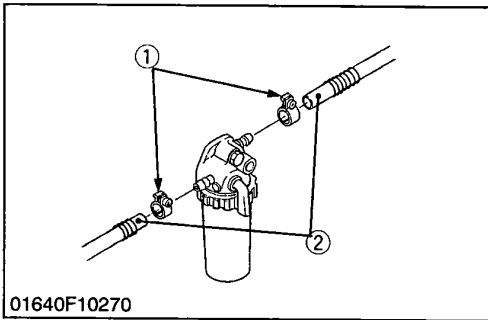
CAUTION

- **Do not remove the radiator cap until cooling water temperature is below its boiling point. Then loosen the cap slightly to relieve any excess pressure before removing the cap completely.**

■ IMPORTANT

- **Be sure to close the radiator cap securely. If the cap is loose or improperly closed, water may leak out and the engine could overheat.**
- **Do not use an antifreeze and scale inhibitor at the same time.**

01640S10060

(2) Check Point of Every 50 hours**Checking Fuel Pipe**

1. If the clamp (1) is loose, apply oil to the threads and securely retighten it.
2. The fuel pipe (2) is made of rubber and ages regardless of the period of service.
Change the fuel pipe together with the clamp every two years.
3. However, if the fuel pipe and clamp are found to be damaged or deteriorate earlier than two years, then change or remedy.
4. After the fuel pipe and the clamp have been changed, bleed the fuel system.

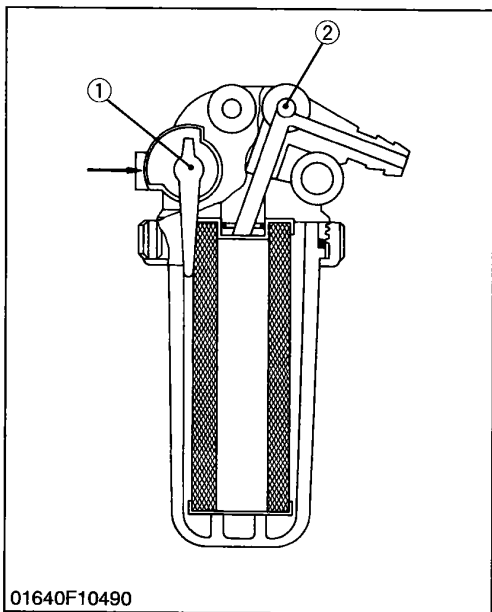
**CAUTION**

- Stop the engine when attempting the check and change prescribed above.

(1) Clamp

(2) Fuel Pipe

01640S10070

**(When bleeding fuel system)**

1. Fill the fuel tank with fuel, and open the fuel cock (1).
2. Loosen the air vent plug (2) of the fuel filter a few turns.
3. Screw back the plug when bubbles do not come up any more.
4. Open the air vent cock on top of the fuel injection pump.
5. Retighten the plug when bubbles do not come up any more.

NOTE

- Always keep the air vent plug on the fuel injection pump closed except when air is vented, or it may cause the engine to stop.

(1) Fuel Cock

(2) Air Vent Plug

01640S10080

(3) Check Point of Every 100 hours

Changing Engine Oil

1. After warming up, stop the engine.
2. To change the used oil, remove the drain plug at the bottom of the engine and drain off the oil completely.
3. Reinstall the drain plug.
4. Fill the new oil up to the upper notch on the dipstick. (See page S-47.)

■ IMPORTANT

- Engine oil should be MIL-L-46152 / MIL-L-2104C or have properties of API classification CD / CE grades.
- Change the type of engine according to the ambient temperature.
 Above 25 °C (77 °F)..... SAE 30 or 10W-30
 0 °C to 25 °C (32 °F to 77 °F)..... SAE 20 or 10W-30
 Below 0 °C (32 °F) SAE 10W or 10W-30

Oil pan Models depth	Capacity	
	125 mm (4.92 in.)	101 mm (3.97 in.)
D905-B (E) D1005-B (E) D1105-B(E) D1105-T-B (E)	5.1 L 5.39 U.S.qts. 4.49 Imp.qts	4.0 L 4.23 U.S.qts. 3.52 Imp.qts
V1205-B (E) V1305-B (E) V1505-B (E)	6.0 L 6.34 U.S.qts. 5.28 Imp.qts.	4.7 L 4.97 U.S.qts. 4.14 Imp.qts.
V1205-T-B (E) V1505-T-B (E)	6.7 L 7.08 U.S.qts. 5.90 Imp.qts.	—

01640S10090

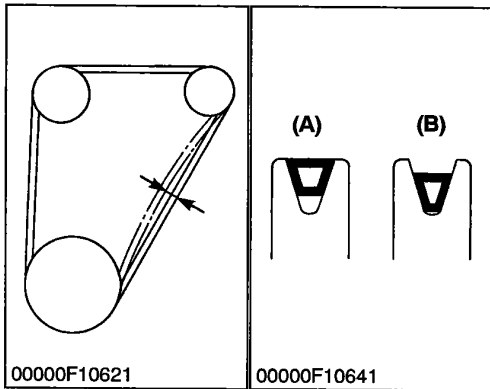
Changing Engine Oil Filter Cartridge

1. Remove the oil filter cartridge with a filter wrench.
2. Apply engine oil to the rubber gasket on the new cartridge.
3. Screw the new cartridge in by hand. (See page S-44.)

■ NOTE

- Over-tightening may cause deformation of rubber gasket.
- After cartridge has been replaced, engine oil normally decreases a little.
 Check the oil level and add new oil to the specified level.

01640S10100



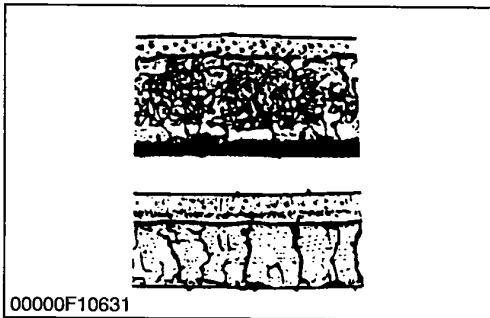
Checking Fan Belt Tension

1. Press the fan belt between fan pulley and pulley at force of 98 N (10 kgf, 22 lbs).
Check if the fan belt deflection is 10 to 12 mm (0.394 to 0.472 in.).
2. If the deflection is not within the factory specifications, adjust with the tension pulley adjusting bolts.

(A) Good

(B) Bad

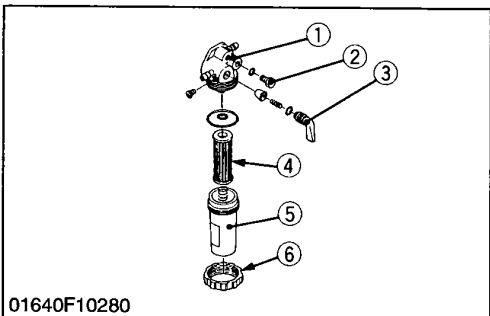
01640S10110



Checking Fan Belt Damage

1. Check the fan belt for damage.
2. Check if the fan belt is worn and sunk in the pulley groove.
3. Replace the fan belt if the belt is damaged or nearly worn out and deeply sunk in the pulley groove.

00000S10461



Cleaning Fuel Filter

1. Close the fuel filter cock (3).
2. Unscrew the retaining ring (6) and remove the cup (5), and rinse the inside with kerosene.
3. Take out the element (4) and dip it in the kerosene to rinse.
4. After cleaning, reassemble the fuel filter, keeping out dust and dirt.
5. Bleed the fuel system.

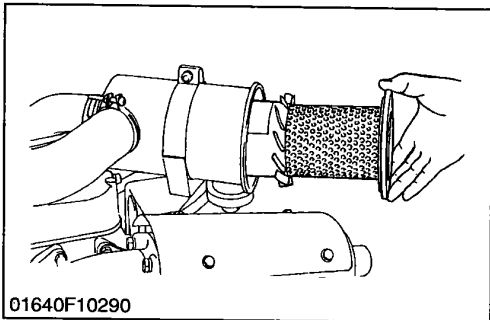
■ IMPORTANT

- If dust and dirt enter the fuel, the fuel injection pump and injection nozzle will wear quickly. To prevent this, be sure to clean the fuel filter cup periodically.

- (1) Cock Body
(2) Air Vent Plug
(3) Filter Cock

- (4) Filter Element
(5) Filter Cup
(6) Retaining Ring

01640S10120



Cleaning Air Cleaner

1. The air cleaner uses a dry element. Never apply oil to it.
2. Remove and clean out the dust cup before it becomes half full with dust.
3. When the air filter element is dusty, clean it.

■ NOTE

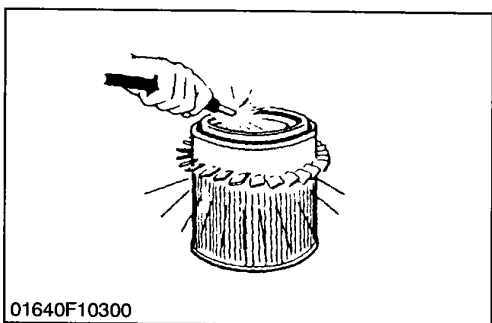
- Change the element once a year or every 6th cleaning.

■ IMPORTANT

- Install the air cleaner dust cup with "TOP" indicated on the rear of the cup in the upside.

If the dust cup is mounted incorrectly, dust or dirt does not collect in the cup, and direct attachment of the dust to the element will cause its life time to shorten to a great extent.

01640S10130



Cleaning Air Filter Element

- **When dry dust adheres**

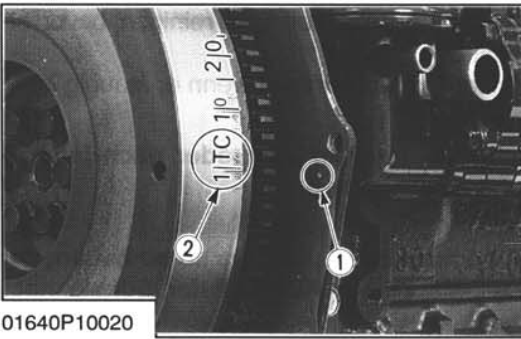
Use clean dry compressed air on the inside of the element.

Air pressure at the nozzle must not exceed 690 kPa (7 kgf/cm², 100 psi).

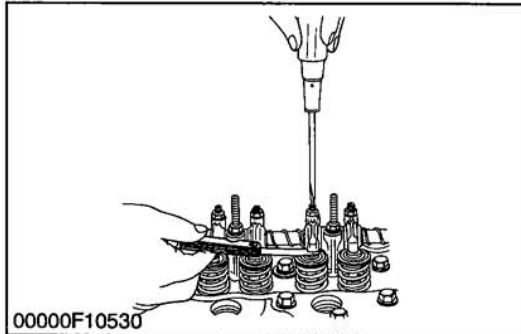
Maintain reasonable distance between the nozzle and the filter.

01640S10140

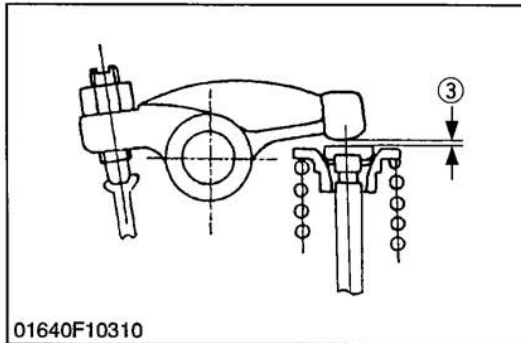
(4) Check Point of Every 800 hours



01640P10020



00000F10530



01640F10310

Checking Valve Clearance

IMPORTANT

- Valve clearance must be checked and adjusted when engine is cold.

1. Remove the head cover.
2. Align the "1TC" mark on the flywheel and projection (1) on the housing so that the No. 1 piston comes to the compression or overlap top dead center.
3. Check the following valve clearance marked with "☆" using a feeler gauge.
4. If the clearance, adjust with the adjusting screw.

Valve clearance	Factory spec.	0.145 to 0.185 mm 0.0057 to 0.0072 in.
-----------------	---------------	---

NOTE

- The "TC" marking on the flywheel is just for No. 1 cylinder. there is no "TC" marking for the other cylinders.
- No. 1 piston comes to the T.D.C. position when the "TC" marking is aligned with the projection in the window on flywheel-housing. Turn the flywheel 0.26 rad. (15°) clockwise and counter-clockwise to see if the piston is at the compression top dead center or the overlap position. Now referring to the table below, readjust the valve clearance. (The piston is at the top dead center when both the IN. and EX. valves do not move; it is at the overlap position when both the valves move.
- Finally turn the flywheel 6.28 rad. (360°) and align the "TC" marking and the projection perfectly. Adjust the other valve clearance as required.
- After turning the flywheel counterclockwise twice or three times, recheck the valve clearance.
- After adjusting the valve clearance, firmly tighten the lock nut of the adjusting screw.

Number of cylinders Valve arrangement Adjustable cylinder Location of piston		3 cylinder		4 cylinder	
		IN.	EX	IN.	EX
When No. 1 piston is compression top dead center	1st	☆	☆	☆	☆
	2nd		☆	☆	
	3rd	☆			☆
	4th				
When No. 1 piston is overlap position	1st				
	2nd	☆			☆
	3rd		☆	☆	
	4th			☆	☆

- (1) Projection
- (2) TC Mark Line

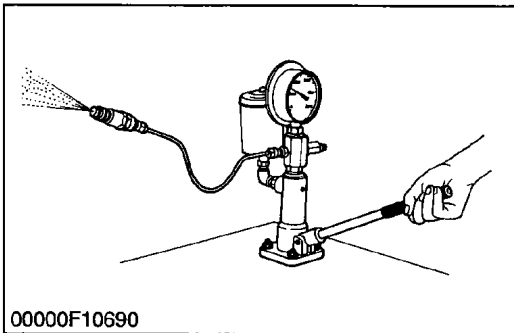
- (3) Valve Clearance

01640S10150

(5) Check Point of 1500 hours (Serial No: ~ 489290)**⚠ CAUTION**

- Check the nozzle injection pressure and condition after confirming that there is nobody standing in the direction the fume goes. If the fume from the nozzle directly contacts the human body, cells may be destroyed and blood poisoning may be caused.

01640S10160

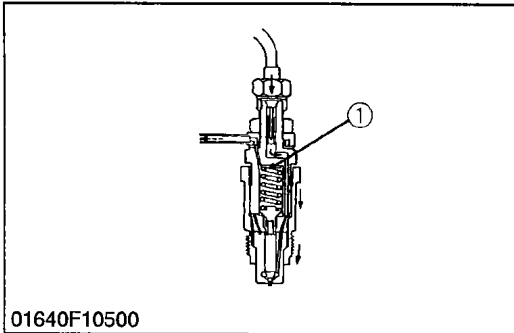
**Checking Nozzle Injection Pressure**

1. Set the injection nozzle to the nozzle tester (Code No: 07909-31361).
2. Slowly move the tester handle to measure the pressure at which fuel begins jetting out from the nozzle.
3. If the measurement is not within the factory specifications, disassemble the injection nozzle, and change adjusting washer (1) until the proper injection pressure is obtained. (See page S-159.)
4. If the spraying condition is defective, replace the nozzle piece.

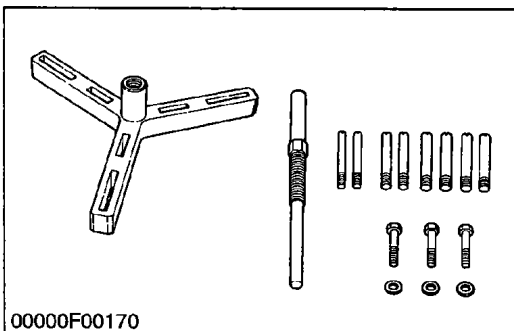
(Reference)

- Pressure variation with 0.025 mm (0.001 in.) difference of adjusting washer thickness.
Approx. 59 kPa (6 kgf/cm², 85 psi)

(1) Adjusting Washer



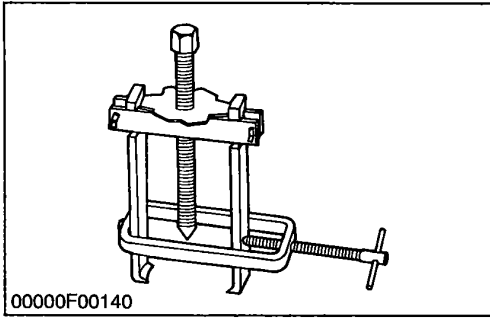
01640S10170

[8] SPECIAL TOOLS**Flywheel Puller**

Code No: 07916-32011

Application: Use to remove the flywheel.

01640S10180

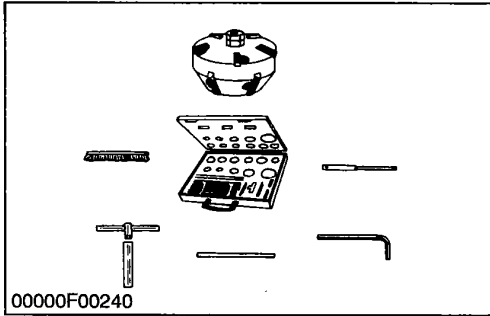


Special-use Puller Set

Code No: 07916-09032

Application: Use for pulling out bearings, gears and other parts.

01640S10190

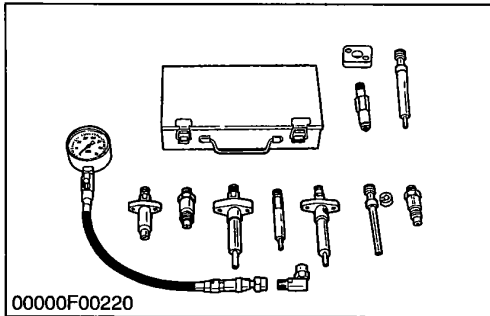


Valve Seat Cutter Set

Code No: 07909-33102

Application: Use for correcting valve seats.

01640S10200

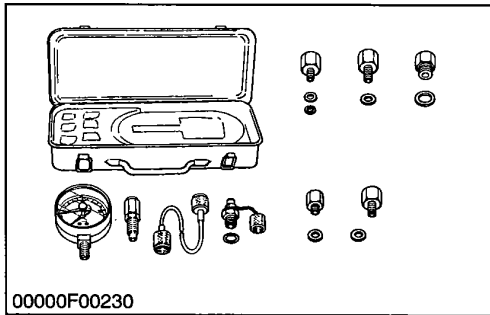


Diesel Engine Compression Tester

Code No: 07909-30207

Application: Use for measuring diesel engine compression pressure.

01640S10210

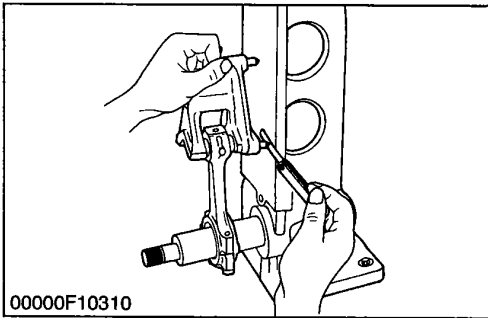


Oil Pressure Tester

Code No: 07916-32031

Application: Use for measuring lubricating oil pressure.

01640S10220



00000F10310

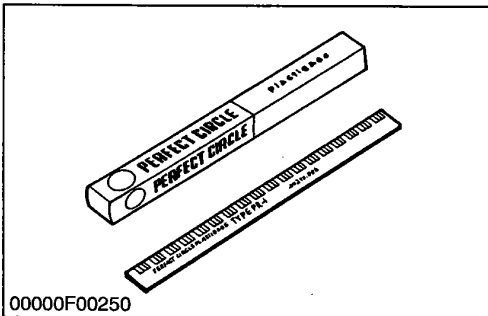
Connecting Rod Alignment Tool

Code No: 07909-31661

Application: Use for checking the connecting rod alignment.

Applicable range: Connecting rod big end I.D. 30 to 75 mm (1.18 to 2.95 in.dia.). Connecting rod length 65 to 330 mm (2.56 to 12.99 in.).

01640S10230



00000F00250

Press Gauge

Code No: 07909-30241

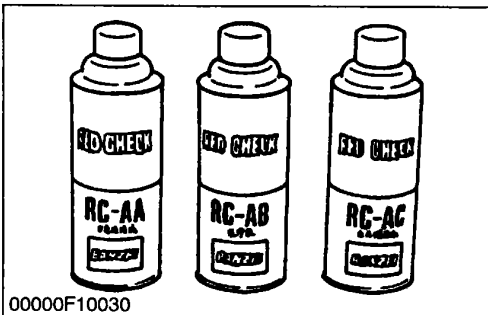
Application: Use for checking the oil clearance between crankshaft and bearing, etc.

Measuring range: Green ---- 0.025 to 0.076 mm (0.001 to 0.003 in.)

Red ----- 0.051 to 0.152 mm (0.002 to 0.006 in.)

Blue----- 0.102 to 0.229 mm (0.004 to 0.009 in.)

01640S10240



00000F10030

Red Check (Crack Check Liquid)

Code No: 07909-31371

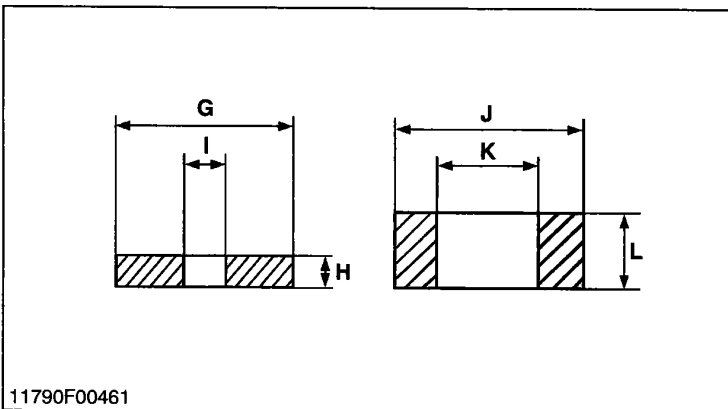
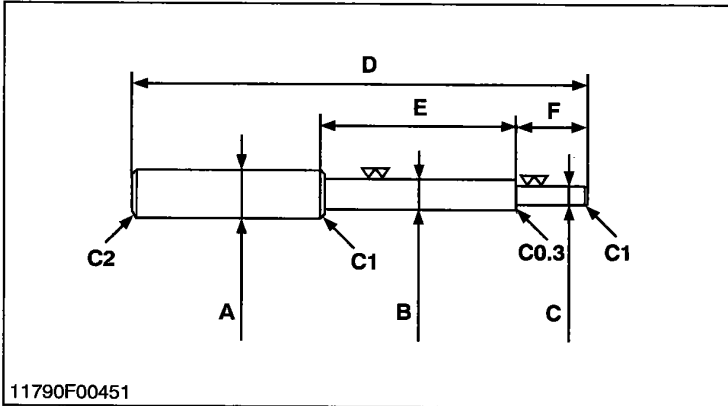
Application: Use for checking cracks on cylinder head, cylinder block, etc.

01640S10250

NOTE

- The following special tools are not provided, so make them referring to the figure.

01640S10910

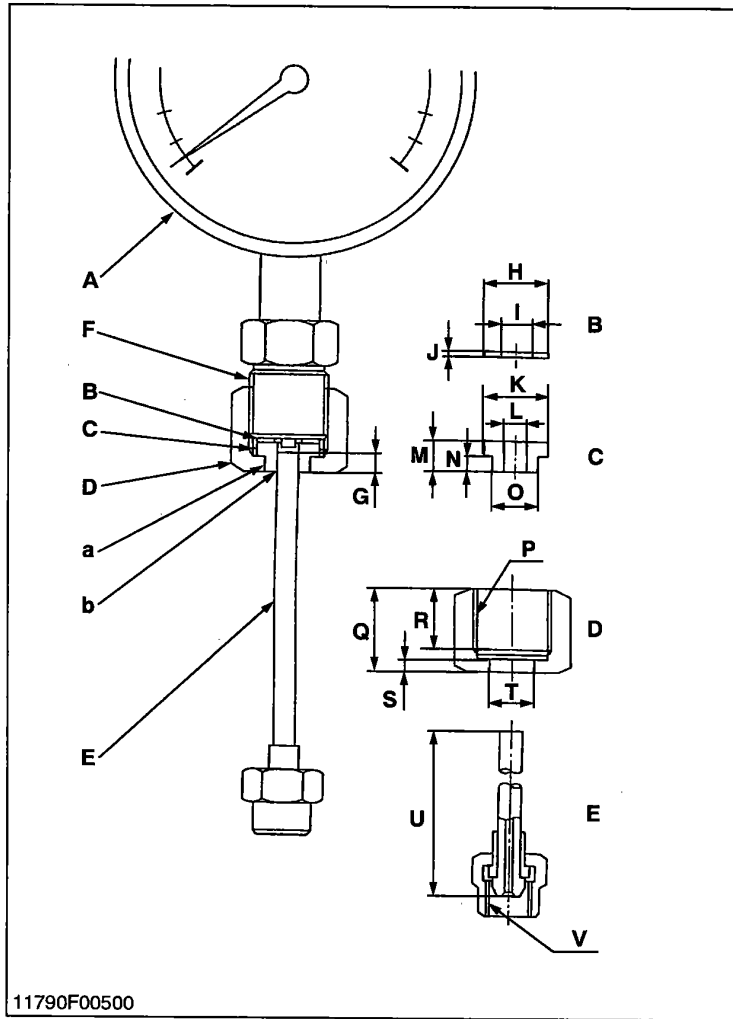


Valve Guide Replacing Tool

Application: Use to press out and press fit the valve guide.

A	20 mm dia. (0.79 in. dia.)
B	11.7 to 11.9 mm dia. 0.460 to 0.468 in. dia.
C	6.5 to 6.6 mm dia. 0.256 to 0.259 in. dia.
D	225 mm (8.86 in.)
E	70 mm (2.76 in.)
F	45 mm (1.77 in.)
G	25 mm (0.98 in.)
H	5 mm (0.197 in.)
I	6.7 to 7.0 mm dia. (0.263 to 0.275 in. dia.)
J	20 mm dia. (0.787 in. dia.)
K	12.5 to 12.8 mm dia. (0.492 to 0.504 in. dia.)
L	8.9 to 9.1 mm (0.350 to 0.358 in.)
C1	Chamfer 1.0 mm (0.039 in.)
C2	Chamfer 2.0 mm (0.079 in.)
C0.3	Chamfer 0.3 mm (0.012 in.)

11790G00622



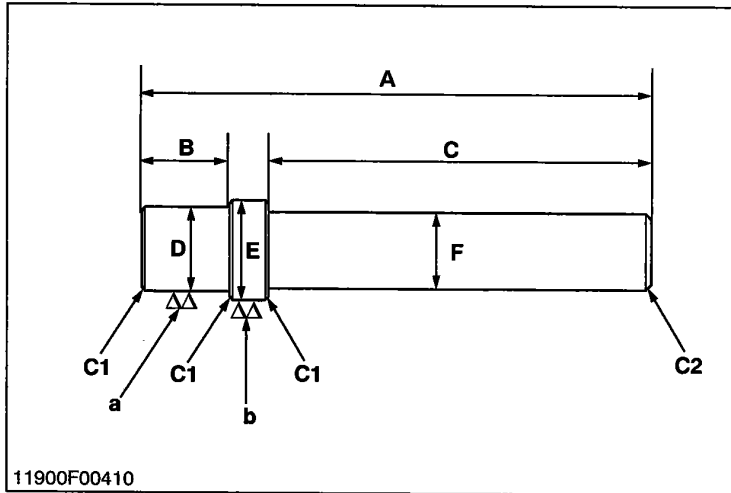
11790F00500

Injection Pump Pressure Tester

Application: Use to check fuel tightness of injection pumps.

A	Pressure gauge full scale : More than 29.4 MPa (300 kgf/cm ² , 4267 psi)
B	Copper gasket
C	Flange (Material : Steel)
D	Hex. nut 27 mm (1,06 in.) across the plat
E	Injection pipe
F	PF 1/2
G	5 mm (0.20 in.)
H	17 mm dia. (0.67 in. dia.)
I	8 mm dia. (0.31 in. dia.)
J	1.0 mm (0.039 in.)
K	17 mm dia. (0.67 in. dia.)
L	6.10 to 6.20 mm dia. 0.2402 to 0.2441 in. dia.
M	8 mm (0.31 in.)
N	4 mm (0.16 in.)
O	11.97 to 11.99 mm dia. 0.4713 to 0.4721 in. dia.
P	PF 1/2
Q	23 mm (0.91 in.)
R	17 mm (0.67 in.)
S	4 mm (0.16 in.)
T	12.00 to 12.02 mm dia. 0.4724 to 0.4732 in. dia.
U	100 mm (3.94 in.)
V	M12 x P1.5
a	Adhesive application
b	Fillet welding on the enter circumference

11790G00811



Bushing Replacing Tool

Application: Use to press out and to press fit the bushing.

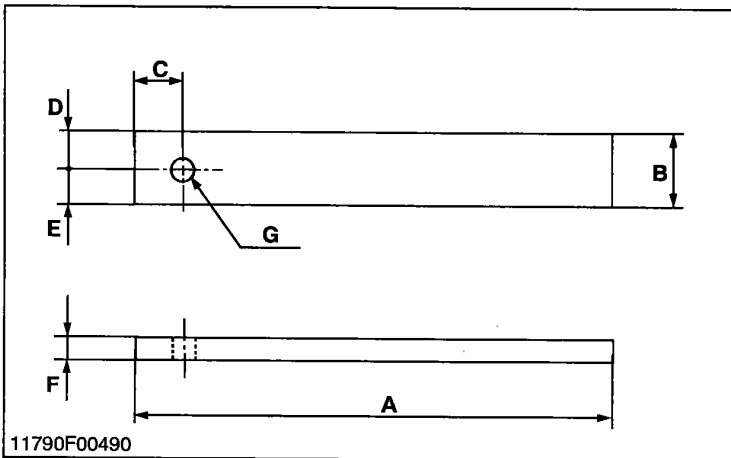
1. For small end bushing

A	157 mm (6.1811 in.)
B	24 mm (0.9449 in.)
C	120 mm (4.7244 in.)
D	21.8 to 21.9 mm (0.8583 to 0.8622 in.)
E	24.8 to 24.9 mm (0.9764 to 0.9803 in.) DIA.
F	20 mm (0.7874 in.)
a	6.3 μm (250 μin.)
b	6.3 μm (250 μin.)

2. For idle gear bushing

A	196 mm (7.7165 in.)
B	26 mm (1.0236 in.)
C	150 mm (5.9055 in.)
D	25.8 to 25.9 mm (1.0157 to 1.0197 in.)
E	28.8 to 28.9 mm (1.0157 to 1.0197 in.) DIA.
F	20 mm (0.7874 in.)
a	6.3 μm (250 μin.)
b	6.3 μm (250 μin.)

11900G00441

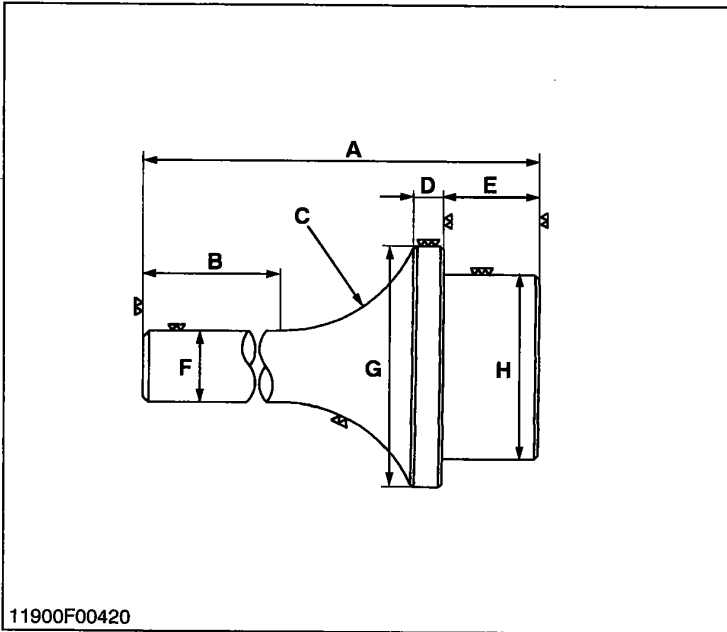


Flywheel Stopper

Application: Use to loosen and tighten the flywheel screw.

A	200 mm (7.87 in.)
B	30 mm (1.18 in.)
C	20 mm (0.79 in.)
D	15 mm (0.59 in.)
E	15 mm (0.59 in.)
F	8 mm (0.31 in.)
G	10 mm DIA. (0.39 in. DIA.)

11790G00801



Crankshaft Bearing 1 Replacing Tool

Application: Use to press out and to press fit the crankshaft bearing 1.

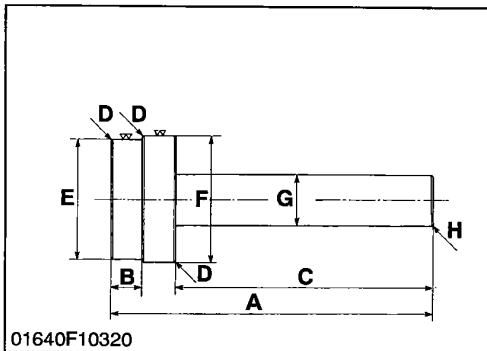
[Press Out]

A	135 mm (5.31 in.)
B	72 mm (2.83 in.)
C	40° (1.57 rad.)
D	10 mm (0.39 in.)
E	20 mm (0.79 in.)
F	20 mm (0.79 in.)
G	56.80 to 56.90 mm dia. 2.2362 to 2.2402 in. dia.
H	51.80 to 51.90 mm dia. 2.0393 to 2.0433 in. dia.

[Press Fit]

A	130 mm (5.12 in.)
B	72 mm (2.83 in.)
C	40° (1.57 rad.)
D	9 mm (0.35 in.)
E	24 mm (0.95 in.)
F	20 mm dia. (0.79 in. dia.)
G	68 mm dia. (2.68 in. dia.)
H	47.38 to 47.48 mm dia. 1.865 to 1.869 in. dia.

11900G00451



Governor Gear Holder Bushing Replacing Tool

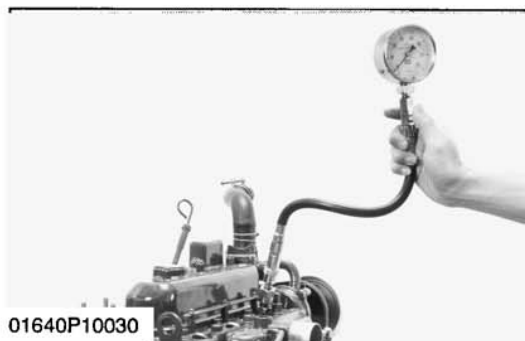
Application: Use to press out and to press fit the governor gear holder bushing.

A	188 mm (7.4 in.)
B	18 mm (0.7 in.)
C	150 mm (5.9 in.)
D	C1 : Chamfer 1.0 mm (0.039 in.)
E	73.9 to 74.0 mm dia. (29.09 to 29.13 in. dia.)
F	69.8 to 69.9 mm dia. (2.748 to 2.751 in. dia.)
G	30 mm dia. (1.181 in. dia.)
H	C2 : Chamfer 2.0 mm (0.079 in.)

01640S10260

1 ENGINE BODY

CHECKING AND ADJUSTING



01640P10030

Compression Pressure

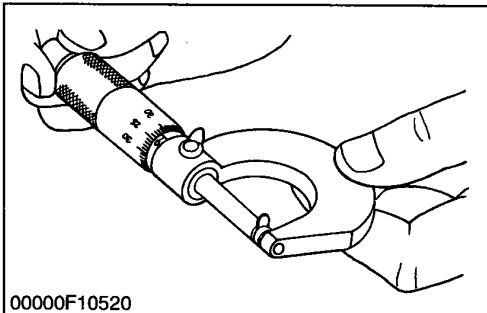
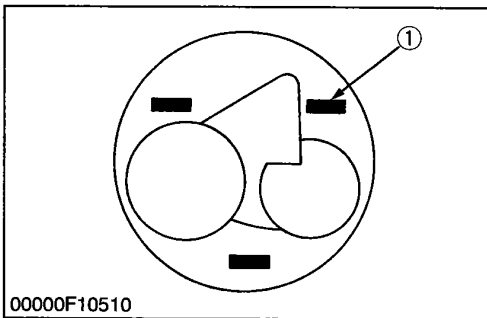
1. After warming up the engine, stop it and remove the air cleaner, the muffler and all nozzle holders.
2. Install a compression tester (Code No: 07909-30204) for diesel engines to nozzle holder hole.
3. After making sure that the speed control lever is set at the stop position (Non-injection), run the engine at 200 to 300 rpm with the starter.
4. Read the maximum pressure. Measure the pressure more than twice.
5. If the measurement is below the allowable limit, check the cylinder, piston ring, top clearance, valve and cylinder head.
6. If the measurement is below the allowable limit, apply a small amount of oil to the cylinder wall through the nozzle hole and measure the compression pressure again.
7. If the compression pressure is still less than the allowable limit, check the top clearance, valve and cylinder head.
8. If the compression pressure increases after applying oil, check the cylinder wall and piston rings.

NOTE

- Check the compression pressure with the specified valve clearance.
- Always use a fully charged battery for performing this test.
- Variances in cylinder compression values should be under 10 %.

Compression pressure	Factory spec.	2.84 to 3.24 MPa 29 to 33 kgf/cm ² 412 to 469 psi
	Allowable limit	2.26 MPa 23 kgf/cm ² 327 psi

11900S10011



Top Clearance

1. Remove the cylinder head (remove the cylinder head gasket completely).
2. Bring the piston to its top dead center fasten 1.5 mm dia. 5 to 7 mm long fuse wires to 3 to 4 spots on the piston top with grease so as to avoid the intake and exhaust valves and the combustion chamber ports.
3. Bring the piston to its middle position, install the cylinder head, and tighten the cylinder head bolts to specification. (Head gasket must be changed to new one.)
4. Turn the crank shaft until the piston exceeds its top dead center.
5. Remove the cylinder head, and measure squeezed fuse wires for thickness.
6. If the measurement is not within the specified value, check the oil clearance of the crankpin journal and the piston pin.

Top clearance	Factory spec.	0.55 to 0.75 mm 0.0217 to 0.0295 in.
---------------	---------------	---

Tightening torque	Cylinder head mounting bolts	63.7 to 68.6 N·m 6.5 to 7.0 kgf·m 47.0 to 50.6 ft·lbs
-------------------	------------------------------	---

(1) Fuse

01640S10270

DISASSEMBLING AND ASSEMBLING

NOTE

- The cylinder heads with serial numbers 489291 and on are partially modified in configuration because of the introduction of the nozzle heat seal. For replacing the cylinder head, see the parts list and choose the right one in reference to its serial number.

01640S10280

[1] DRAINING WATER AND OIL

Draining Cooling Water and Engine Oil

CAUTION

- **Never remove radiator cap until cooling water temperature is below its boiling point. Then loosen cap slightly to the stop to relieve any excess pressure before removing cap completely.**
1. Prepare a bucket. Open the drain cock to drain cooling water.
 2. Prepare an oil pan. Remove the drain plug to drain engine oil in the pan.

01640S10290

[2] EXTERNAL COMPONENTS

Air Cleaner and Muffler

1. Remove the air cleaner.
2. Remove muffler retaining nuts to remove the muffler.

(When reassembling)

- Install the muffler gasket so that its steel side face the muffler.

01640S10300

Alternator and Fan Belt

1. Remove the alternator (1).
2. Remove the fan belt (2).

(When reassembling)

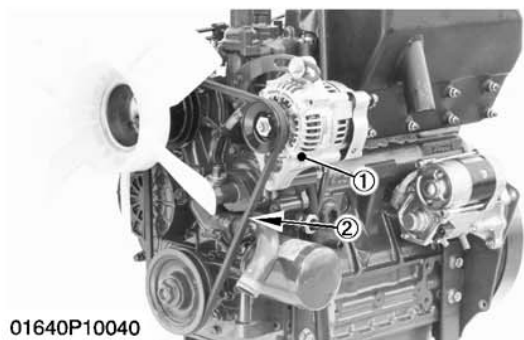
- Check to see that there are no cracks on the belt surface.

■ IMPORTANT

- **After reassembling the fan belt, be sure to adjust the fan belt tension.**

(1) Alternator

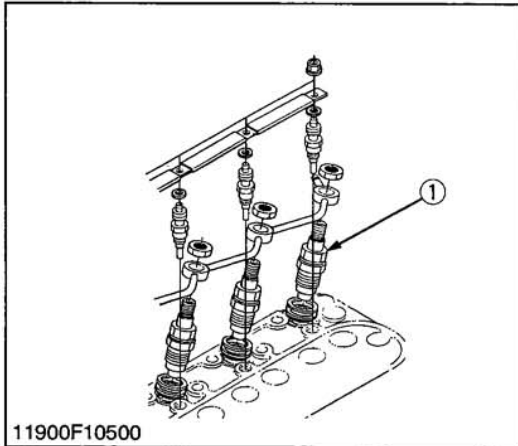
(2) Fan Belt



01640P10040

01640S10310

[3] CYLINDER HEAD AND VALVES



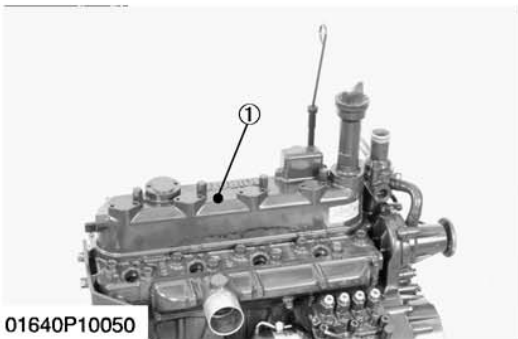
11900F10500

Nozzle Holder Assembly

1. Loosen the screws on the pipe clamps.
2. Remove the injection pipes.
3. Remove the fuel overflow pipes.
4. Loosen the lock nuts, and remove the nozzle holder assemblies.
5. Remove the copper gaskets on the seats.
6. Remove the nozzle heat seal. (See page S-83.)

(1) Nozzle Holder Assembly

01640S10320



01640P10050

Cylinder Head Cover

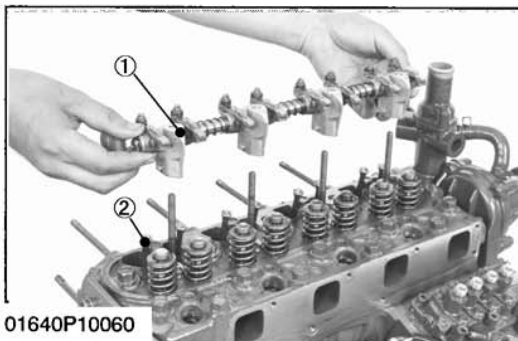
1. Remove the head cover cap nuts.
2. Remove the cylinder head cover (1).

(When reassembling)

- Check to see if the cylinder head cover gasket is not defective.

(1) Head Cover

01640S10330



01640P10060

Rocker Arm and Push Rod

1. Remove the rocker arm bracket mounting nuts.
2. Detach the rocker arm as a unit.
3. Remove the push rods.

■ IMPORTANT

- **After reassembling the rocker arm, be sure to adjust the valve clearance.**

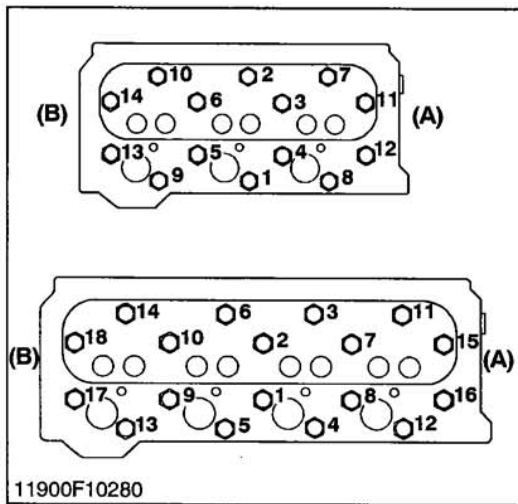
(When reassembling)

- When putting the push rods onto the tappets, check to see if their ends are properly engaged with the grooves.

(1) Rocker Arm Assembly

(2) Push Rod

11900S10061



Cylinder Head

1. Loosen the pipe band, and remove the water return pipe.
2. Remove the cylinder head screws in the order of (14, 18) to (1), and remove the cylinder head.
3. Remove the cylinder head gasket and O-ring.

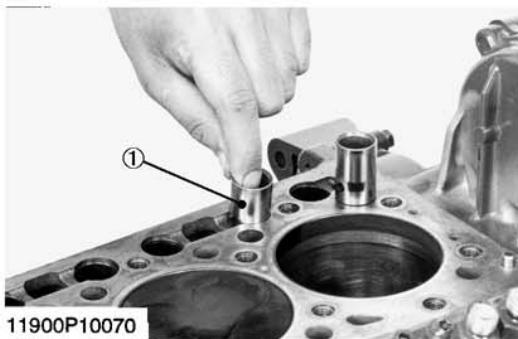
(When reassembling)

- Replace the head gasket with a new one.
- Install the cylinder head, using care not to damage the O-ring.
- Tighten the cylinder head screws gradually in the order of (1) to (14, 18) after applying engine oil.
- Retighten the cylinder head screws after running the engine for 30 minutes.

(A) Gear Case Side

(B) Flywheel Side

11900S10072



Tappets

1. Remove the tappets (1) from the crankcase.

(When reassembling)

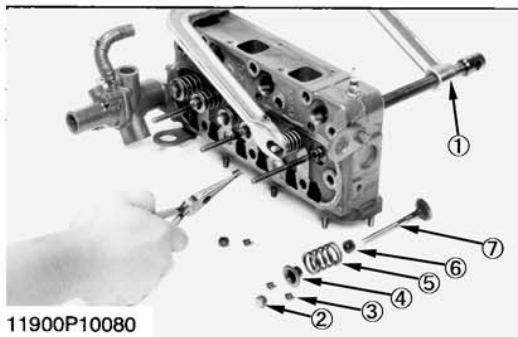
- Before installing the tappets, apply engine oil thinly around them.

■ IMPORTANT

- Mark the cylinder number to the tappets to prevent interchanging.

(1) Tappet

11900S10081



Valves

1. Remove the valve cap (2).
2. Remove the valve spring collet (3) with a valve lifter.
3. Remove the valve spring retainer (4), valve spring (5) and valve (7).

(When reassembling)

- Wash the valve stem and valve guide hole, and apply engine oil sufficiently
- After installing the valve spring collets, lightly tap the stem to assure proper fit with a plastic hammer.

(1) Valve Lifter

(2) Valve Cap

(3) Valve Spring Collet

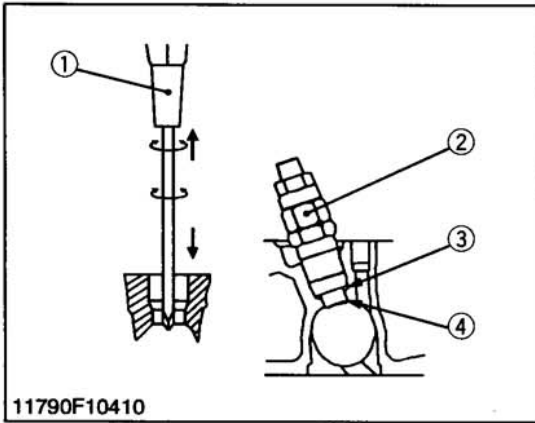
(4) Valve Spring Retainer

(5) Valve Spring

(6) Valve Stem Seal

(7) Valve

11900S10091



Nozzle Heat Seal Service Removal Procedure (Engine Serial Number : 489291 and beyond)

IMPORTANT

- Use a plus (phillips head) screw driver that has a Dia. which is bigger than the heat seal hole (Approx. 6 mm) 1/4 in.

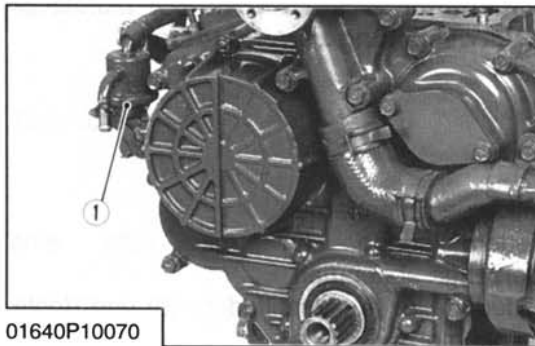
1. Drive screw driver lightly into the heat seal hole.
2. Turn screw driver three or four times each way.
3. While turning the screw driver, slowly pull the heat seal out together with the injection nozzle gasket.

If the heat seal drops, repeat the above procedure. Heat seal and injection nozzle gasket must be changed when the injection nozzle is removed for cleaning or for service.

- | | |
|-----------------------|-----------------------------|
| (1) Plus Screw Driver | (3) Injection Nozzle Packin |
| (2) Injection Nozzle | (4) Heat Seal |

11790S10131

[4] GEAR CASE



Fuel Feed Pump and Hour Meter Gear Case

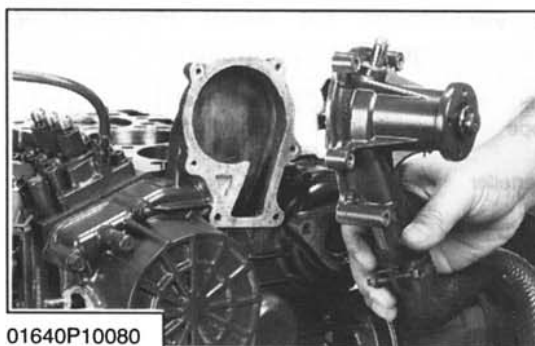
1. Loosen the pipe clamp and remove the fuel pipe from the injection pump side.
2. Remove the fuel feed pump mounting nuts.
3. Remove the fuel feed pump (1).

(When reassembling)

- Apply a liquid gasket (Three Bond 1215 or equivalent) to the both sides of fuel feed pump gasket and hour meter gear case.

- (1) Fuel Feed Pump

01640S10340



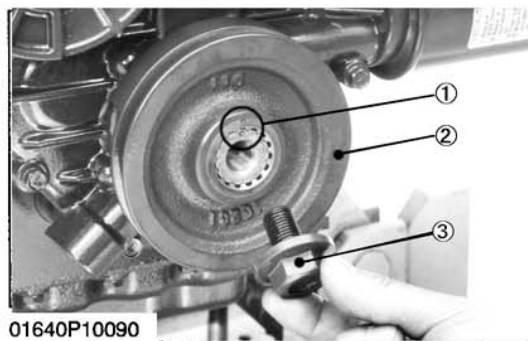
Water Pump

1. Remove the water pump flange.

(When reassembling)

- Apply a liquid gasket (Three Bond 1215 or equivalent) to the both sides of water pump flange gasket.

01640S10350



01640P10090

Fan Drive Pulley

1. Set the stopper to the flywheel.
2. Remove the crankshaft screw (1).
3. Draw out the fan drive pulley (2) with a puller.

(When reassembling)

- Install the pulley (D905, D1005, D1105) to the crankshaft, aligning the marks (3) on them.

Tightening torque	Crankshaft screw (Serial No : ~ 604086)	142.2 to 152.0 N·m 14.5 to 15.5 kgf·m 104.9 to 112.1 ft·lbs
	Crankshaft screw (Serial No : 604087 ~)	235.4 to 245.2 N·m 24.0 to 25.0 kgf·m 173.6 to 180.8 ft·lbs

- (1) Crankshaft Screw
(2) Fan Drive Pulley

- (3) Aligning Marks

01640S10360



11900P10090

Gear Case

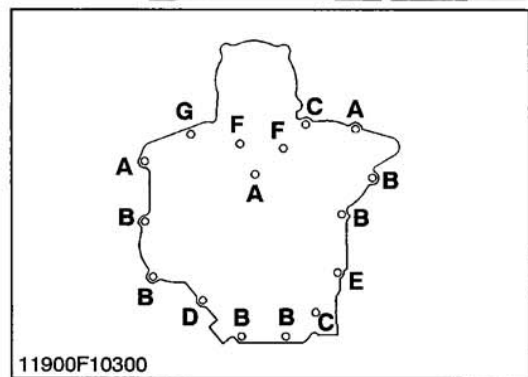
1. Remove the gear case.

(When reassembling)

- Apply a liquid gasket (Three Bond 1215 or equivalent) to both sides of the gear case gasket.
- Grease thinly to the oil seal, and install it, ensuring the lip does not come off.

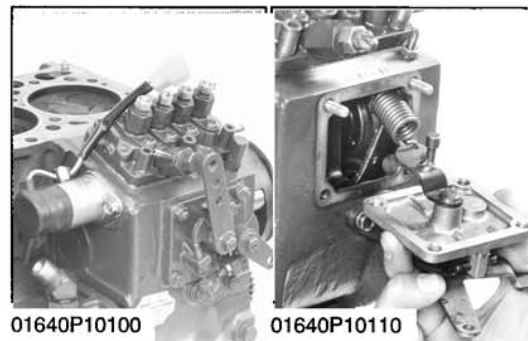
Length of the gear case mounting bolts (refer to the figure)

- A : 45 mm E : 68 mm
 B : 50 mm F : 80 mm
 C : 55 mm G : Nut
 D : 59 mm



11900F10300

01640S10370



01640P10100

01640P10110

Engine Stop Solenoid and Speed Control Plate

1. Remove the engine stop solenoid (1).
2. Remove the speed control plate with the governor springs 1 (2).

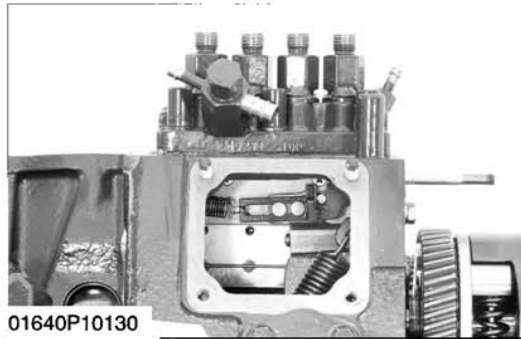
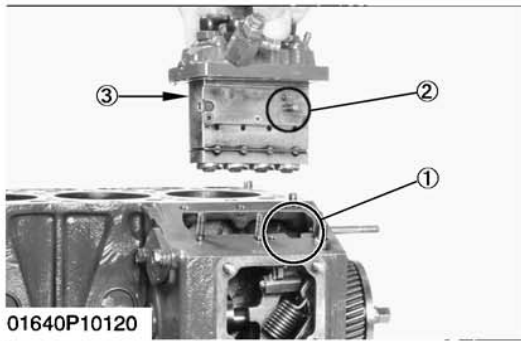
(When reassembling)

- Apply a liquid gasket (Three Bond 1215 or equivalent) to both sides of the solenoid cover gasket and control plate gasket.
- Be careful not to drop the governor springs 1 into the crankcase.

- (1) Engine Stop Solenoid

- (2) Governor Spring 1

11900S10121



Injection Pump

1. Align the control rack pin (3) with the notch (1) on the crankcase, and remove the injection pump (2).
2. Remove the injection pump shims.
3. In principle, the injection pump should not be disassembled.

(When reassembling)

- When installing the injection pump, insert the control rack pin (3) firmly into the groove of the fork lever and thrust lever.

NOTE

(Engine serial number : ~ 489290)

- Insert the same number of shims as used before between crank case and pump.
- Addition or reduction of shim (0.15 mm, 0.0059 in.) delays or advances the injection timing by approx. 0.026 rad. (1.5°).
- Apply liquid-type gasket (Three Bons 1215 or its equivalent) to both sides of the injection pump shim before reassembling.

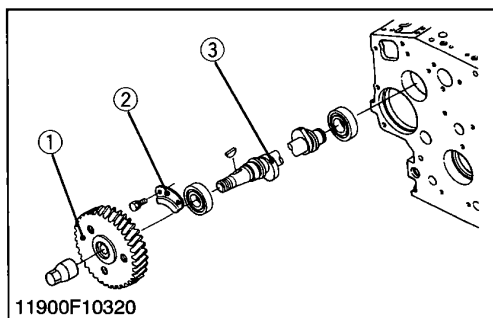
(Engine serial number : 489291 ~)

- The sealant is applied to both sides of the soft metal gasket shim. The liquid gasket is not required for assembling.
- Addition or reduction of shim (0.05 mm, 0.0020 in.) delays or advances the injection timing by approx. 0.0087 rad. (0.5°).
- In disassembling and replacing, be sure to use the same number of new gasket shims with the same thickness.

(1) Notch
(2) Injection Pump

(3) Control Rack Pin

11900S10131



Fuel Camshaft

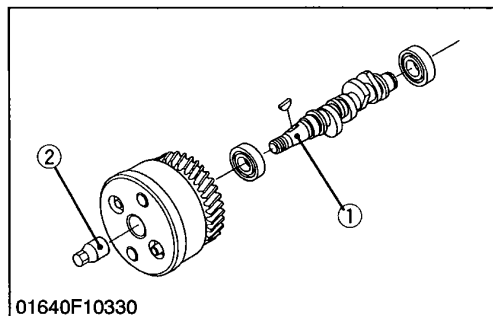
1. Remove the fuel camshaft stopper (2).
2. Draw out the fuel camshaft (3) and injection pump gear (1).

(When reassembling)

- Apply engine oil thinly to the fuel camshaft before installation.

- | | |
|---------------------------|-------------------|
| (1) Injection Pump Gear | (3) Fuel Camshaft |
| (2) Fuel Camshaft Stopper | |

11900S10140



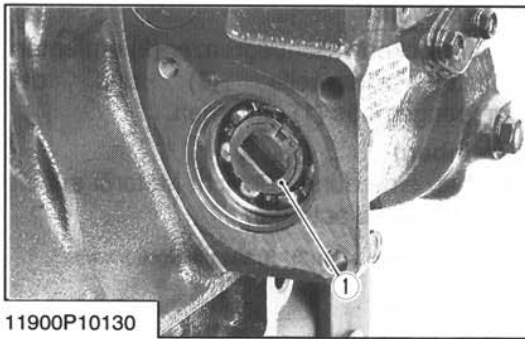
Timer

■ IMPORTANT

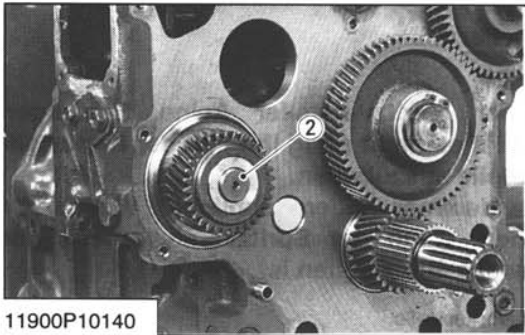
- If there are not problems with the timer, there is no need to separate it from the fuel camshaft.
- Hammers and similar tools should not be used if the timer is to be separated from the shaft.

- | | |
|-------------------|------------------------|
| (1) Fuel Camshaft | (2) Timer Mounting Nut |
|-------------------|------------------------|

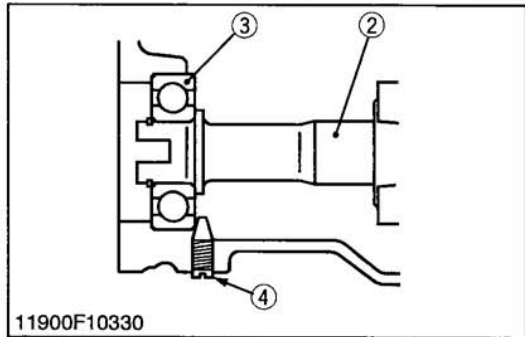
01640S10380



11900P10130



11900P10140



11900F10330

Governor Shaft

1. Remove the external snap ring (1) from the governor shaft.
2. Remove the governor shaft (2).

(When reassembling)

- Make sure assembling the external snap ring of the governor shaft.
- Check the governor shaft for smooth rotation.

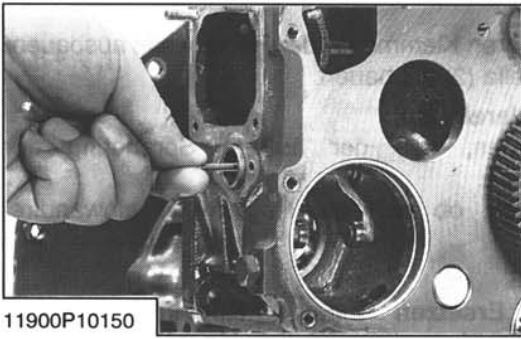
■ IMPORTANT

- **When replacing the ball bearing of governor shaft, securely fit the ball bearing (3) to the crankcase, apply an adhesive (Three Bond 1324B or equivalent) to the set screw (4), and fasten the screw until its tapered part contacts the circumferential end of the ball bearing.**

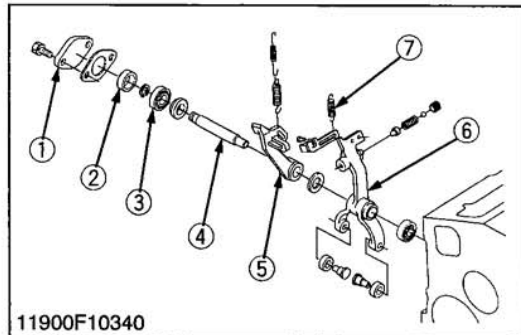
- (1) External Snap Ring
(2) Governor Shaft

- (3) Ball Bearing
(4) Set Screw

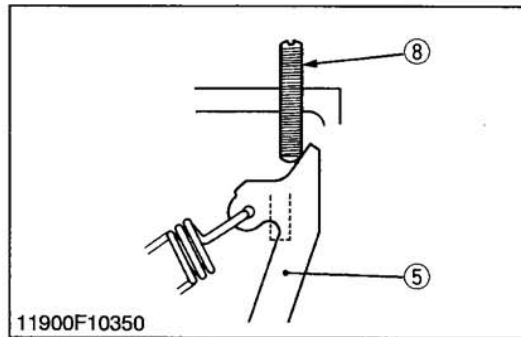
11900S10151



11900P10150



11900F10340



11900F10350

Fork Lever

1. Remove the start spring (7).
2. Remove the fork lever shaft cover (1).
3. Remove the fork lever shaft (4).
4. Remove the spacer (2), bearing (3) and fork lever 1, 2.

(When reassembling)

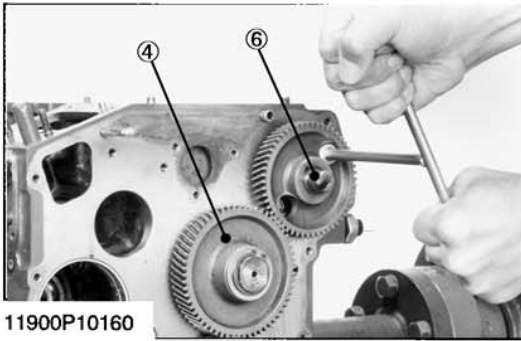
- Apply a liquid gasket (Three Bond 1215 or equivalent) to both sides of the fork lever shaft cover.
- to assembling the fork lever shaft cover to position the mark "UP" on it upwards.
- Make sure assembling the start spring.

■ IMPORTANT

- To assembling the fork lever 2 to the right side of fuel limit bolts as shown in the figure.

- | | |
|----------------------------|---------------------|
| (1) Fork Lever Shaft Cover | (5) Fork Lever 2 |
| (2) Spacer | (6) Fork Lever 1 |
| (3) Bearing | (7) Start Spring |
| (4) Fork Lever Shaft | (8) Fuel Limit Bolt |

11900S10161



11900P10160

Cam Gear and Idle Gear 1, 2

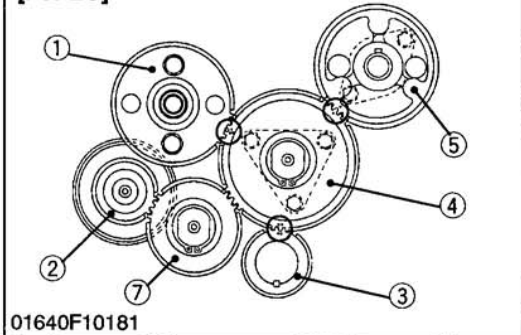
1. Remove the external snap ring.
2. Remove the idle gear 2 (7).
3. Remove the idle gear 1 (4).
4. Remove the camshaft stopper mounting bolt.
5. Remove the camshaft (6).

■ IMPORTANT

- When installing the idle gear, be sure to align the alignment marks on gears.
- Make sure assembling the external snap ring and stopper.

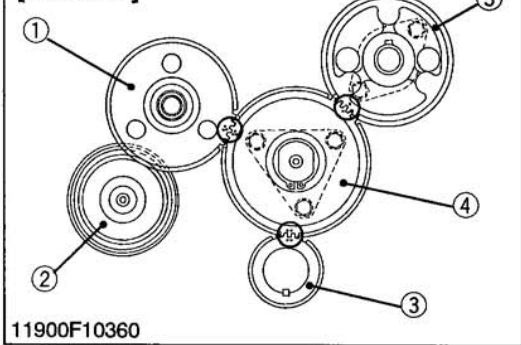
- | | |
|-------------------------|-----------------|
| (1) Injection Pump Gear | (5) Cam Gear |
| (2) Governor Gear | (6) Camshaft |
| (3) Crank Gear | (7) Idle Gear 2 |
| (4) Idle Gear 1 | |

[For EU]



01640F10181

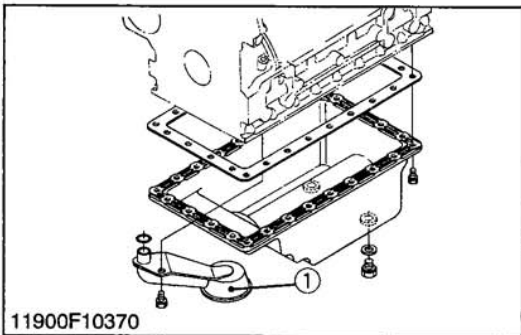
[For U.S.A.]



11900F10360

11900S10171

[5] PISTON AND CONNECTING ROD



11900F10370

Oil Pan and Oil Strainer

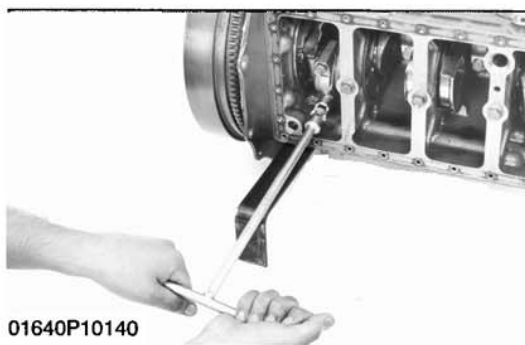
1. Remove the oil pan mounting screws.
2. Remove the oil pan by lightly tapping the rim of the pan with a wooden hammer.
3. Remove the oil strainer (1).

(When reassembling)

- Apply a liquid gasket (Three Bond 1215 or equivalent) to both sides of the oil pan gasket.
- To avoid uneven tightening, tighten mounting screws in diagonal order from the center.
- After cleaning the oil strainer, install it.
- Install the oil strainer (1), using care not to damage the O-ring.

- (1) Oil Strainer

11900S10181



01640P10140

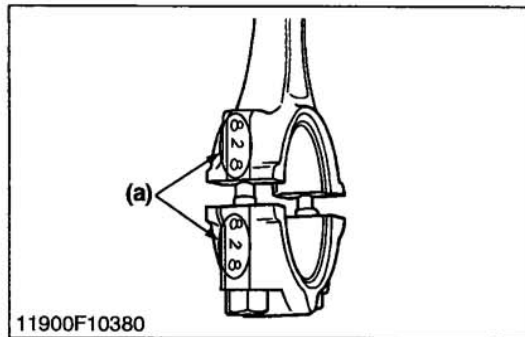
Connecting Rod Cap

1. Remove the connecting rod screws from connecting rod cap.
2. Remove the connecting rod caps.

(When reassembling)

- Align the marks (a) with each other. (Face the marks toward the injection pump.)
- Apply engine oil to the connecting rod screws and lightly screw it in by hand, then tighten it to the specified torque.
If the connecting rod screw won't be screwed in smoothly, clean the threads.
If the connecting rod screw is still hard to screw in, replace it.

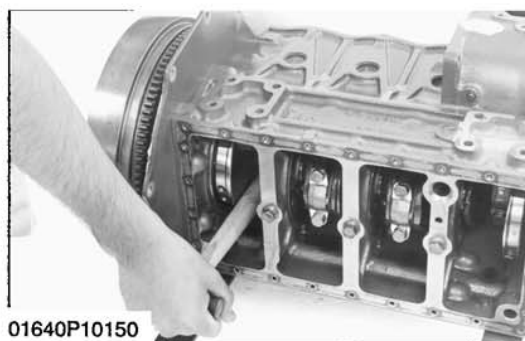
Tightening torque	Connecting rod screw	41.2 to 46.1 N·m 4.2 to 4.7 kgf·m 30.3 to 33.9 ft·lbs
-------------------	----------------------	---



11900F10380

(a) Mark

11900S10191



01640P10150

Piston

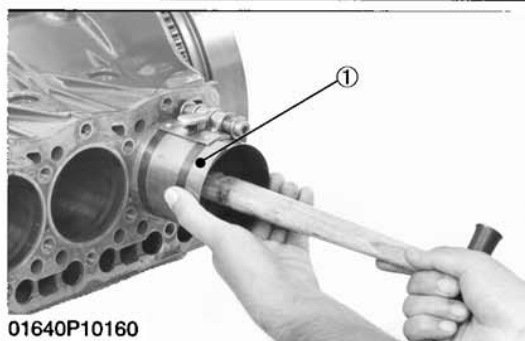
1. Turn the flywheel and bring the No. 1 piston to the top dead center.
2. Pull out the piston upward by lightly tapping it from the bottom of the crankcase with the grip of a hammer.

(When reassembling)

- Before inserting the piston into the cylinder, apply enough engine oil to the cylinder.
- When inserting the piston into the cylinder, face the mark on the connecting rod to the injection pump.

IMPORTANT

- Do not change the combination of cylinder and piston. Make sure of the position of each piston by marking. For example, mark "1" on the No.1 piston.
- When inserting the piston into the cylinder, place the gap of the compression ring 1 on the opposite side of the combustion chamber and stagger the gaps of the compression ring 2 and oil ring making a right angle from the gap of the compression ring 1.
- Carefully insert the pistons using a piston ring compressor (1). Otherwise, their chrome-plated section may be scratched, causing trouble inside the liner.



01640P10160

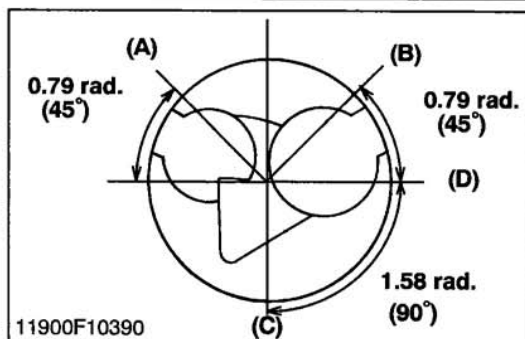
(1) Piston Ring Compressor

(B) Second Ring Gap

(C) Oil Ring Gap

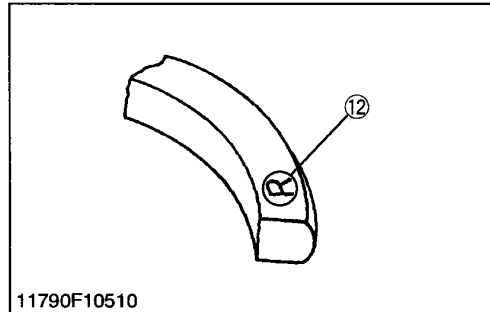
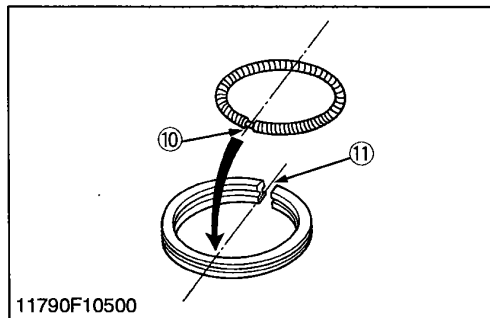
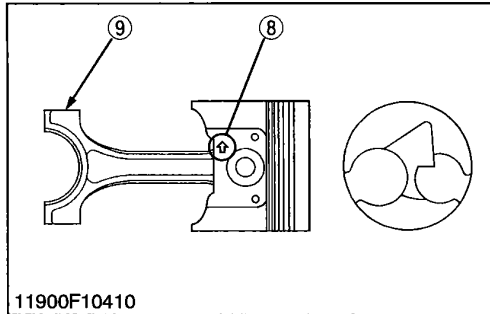
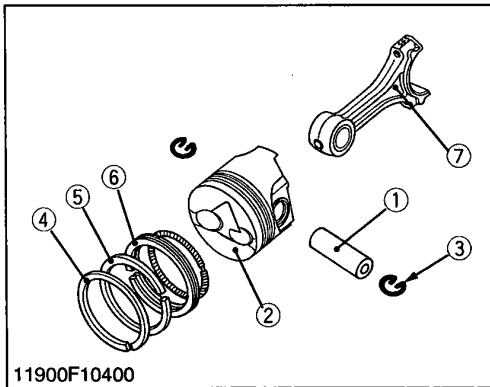
(A) Top Ring Gap

(D) Piston Pin Hole



11900F10390

11900S10201



Piston Ring and Connecting Rod

1. Remove the piston rings using a piston ring tool.
2. Put the casting mark (1) (8) on the piston as shown in figure.
3. Remove the piston pin (1), and separate the connecting rod (7) from the piston (2).

(When reassembling)

- When installing the ring, assemble the rings so that the manufacturer's mark (12) near the gap faces the top of the piston.
- When installing the oil ring onto the piston, place the expander joint (10) on the opposite side of the oil ring gap (11).
- Apply engine oil to the piston pin.
- When installing the piston pin, immerse the piston in 80 °C (176 °F) oil for 10 to 15 minutes and insert the piston pin to the piston.
- When installing the connecting rod to the piston, align the mark (9) on the connecting rod to the casting mark (8).

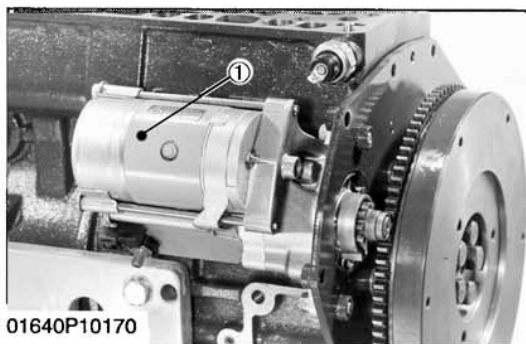
IMPORTANT

- **Mark the same number on the connecting rod and the piston so as not to change the combination.**

- | | |
|--------------------------|--------------------------|
| (1) Piston Pin | (7) Connecting Rod |
| (2) Piston | (8) Casting Mark |
| (3) Piston Pin Snap Ring | (9) Mark |
| (4) Compression Ring 1 | (10) Expander Joint |
| (5) Compression Ring 2 | (11) Oil Ring Gap |
| (6) Oil Ring | (12) Manufacturer's Mark |

11900S10211

[6] FLYWHEEL AND CRANKSHAFT

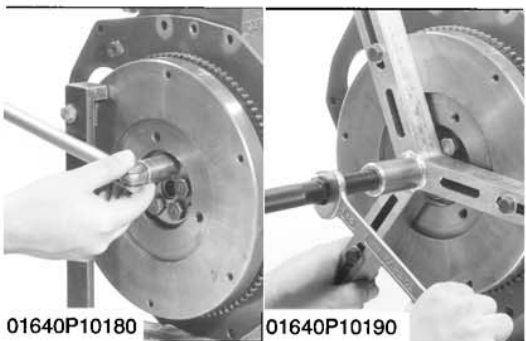


Starter

1. Remove the starter (1).

(1) Starter

01640S10390



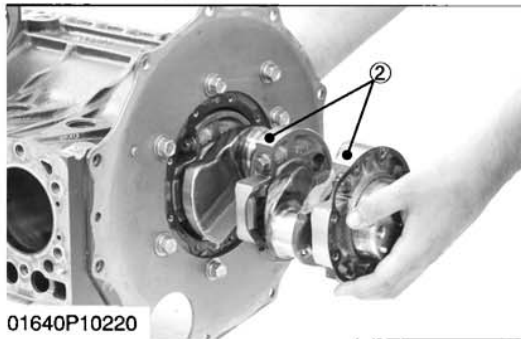
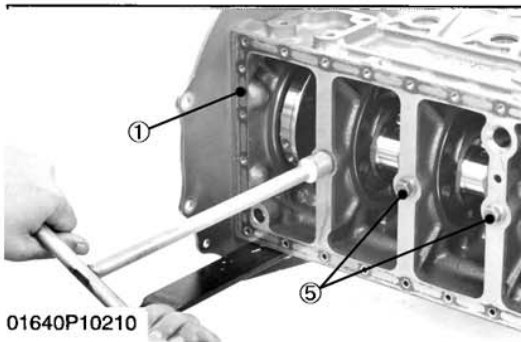
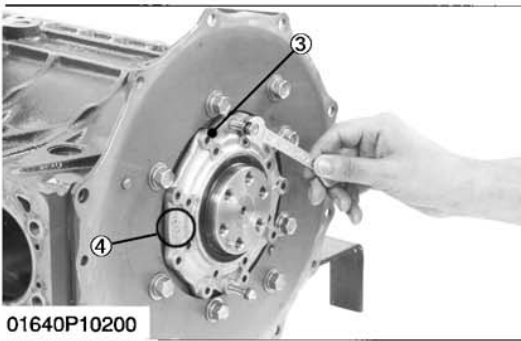
Flywheel

1. Lock the flywheel not to turn using the flywheel stopper.
2. Remove the flywheel screws, except for two which must be loosened and left as they are.
3. Set a flywheel puller (Code No: 07916-32011), and remove the flywheel.

(When reassembling)

- Apply engine oil to the flywheel screws.

01640S10400



Bearing Case Cover and Crankshaft

■ NOTE

- Before disassembling, check the side clearance of crankshaft. Also check it during reassembly.

1. Remove the bearing case cover mounting screws.
2. Screw two removed screws into the screw hole of bearing case cover to remove it.
3. Remove the bearing case screw 2 (5).
4. Pull out the crankshaft.

(When reassembling)

■ IMPORTANT

- Install the crankshaft sub assembly, aligning the screw hole of main bearing case 2 (2) with the screw hole of cylinder block (1).
- Apply engine oil to the seat and thread of bearing case screw 2 (5) and tightening it.
- Install the bearing case cover (3) to position the casting mark "UP" (4) on it upward.
- Tighten the bearing case cover mounting screws with even force on the diagonal line.

(1) Cylinder Block

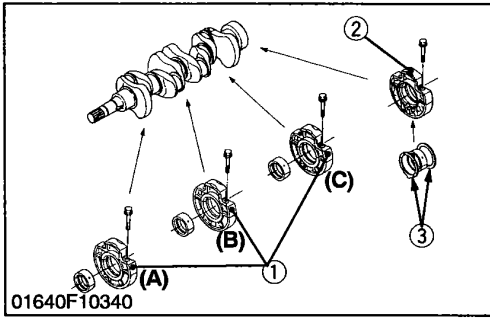
(2) Main Bearing Case 2

(3) Bearing Case Cover

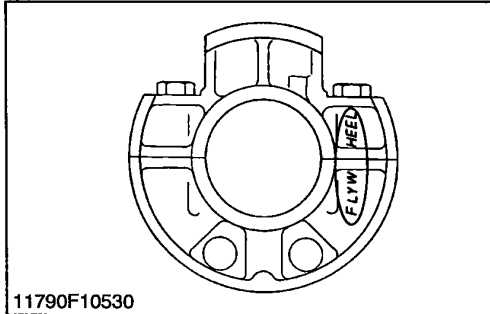
(4) Top Mark "UP"

(5) Bearing Case Screw 2

01640S10410



01640F10340



11790F10530

Main Bearing Case Assembly

1. Remove the two main bearing case screws 1, and remove the main bearing case assembly (2), being careful with the thrust bearing (3) and crankshaft bearing 2.
2. Remove the main bearing case assemblies 1, 2 and 3 as above.

(When reassembling)

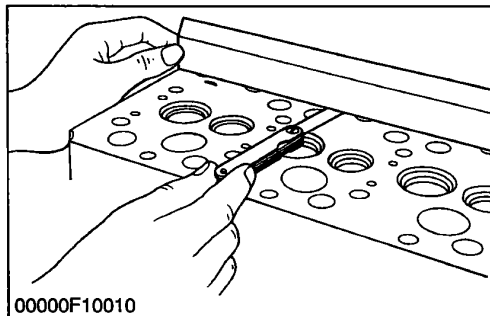
- Clean the oil passage in the main bearing case.
- Apply clean engine oil on the crankshaft bearing 2 and thrust bearings.
- Since diameters of main bearing case vary, install them in order of makings (A, B, C) from the gear case side.
- When installing the main bearing case assemblies 1, 2 and 3, face the mark "FLYWHEEL" to the flywheel.
- Be sure to install the thrust bearing with its oil groove facing outward.

- (1) Main Bearing Case Assembly 1, 2 and 3 (2) Main Bearing Case Assembly and 3
 (3) Thrust Bearing

11900S10251

SERVICING

[1] CYLINDER HEAD



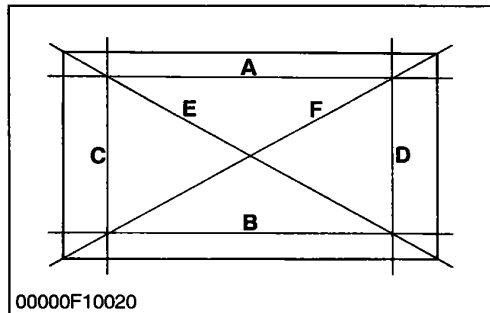
00000F10010

Cylinder Head Surface Flatness

1. Thoroughly clean the cylinder head surface.
2. Place a straightedge on the cylinder head's four sides and two diagonal as shown in the figure. Measure the clearance with a feeler gauge.
3. If the measurement exceeds the allowable limit, correct it with a surface grinder.

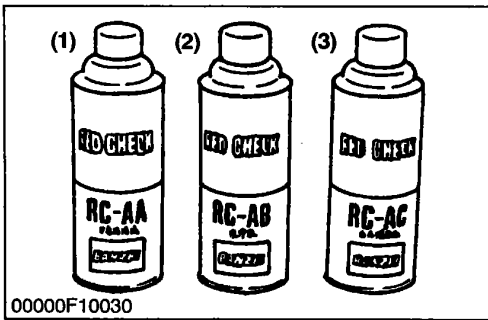
■ IMPORTANT

- Do not place the straight edge on the combustion chamber.
- Be sure to check the valve recessing after correcting.



00000F10020

00000S10011

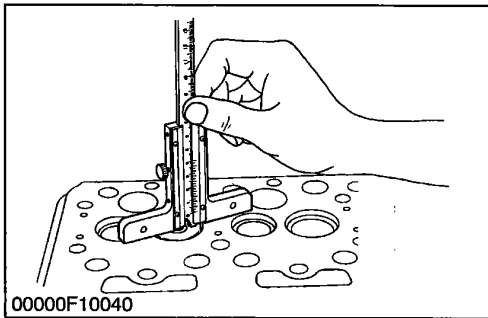


Cylinder Head Flaw

1. Prepare an air spray red check (Code No. 07909-31371).
2. Clean the surface of the cylinder head with detergent (2).
3. Spray the cylinder head surface with the red permeative liquid (1). Leave it five to ten minutes after spraying.
4. Wash away the red permeative liquid on the cylinder head surface with the detergent (2).
5. Spray the cylinder head surface with white developer (3).
6. If flawed, it can be identified as red marks.

- (1) Red Permeative Liquid (3) White Developer
(2) Detergent

00000S10020



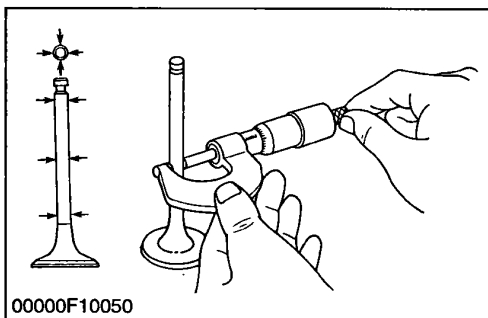
Valve Recessing

1. Clean the cylinder head, the valve face and seat.
2. Insert the valve into the valve guide.
3. Measure the valve recessing with a depth gauge.
4. If the measurement exceeds the allowable limit, replace the valve.

If it still exceeds the allowable limit after replacing the valve, correct the valve seat face of the cylinder head with a valve seat cutter (Code No. 07909-33102) or valve seat grinder.

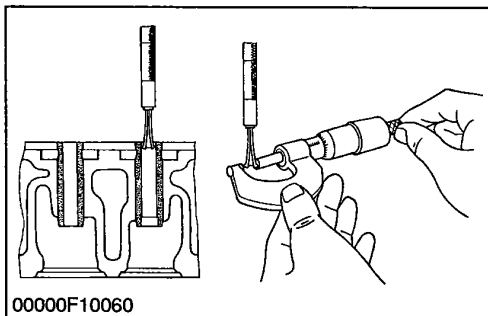
Then, correct the cylinder head surface with a surface grinder, or replace the cylinder head.

00000S10031

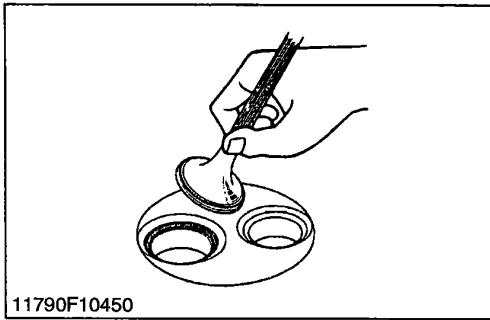


Clearance between Valve Stem and Valve Guide

1. Remove carbon from the valve guide section.
2. Measure the valve stem O.D. with an outside micrometer.
3. Measure the valve guide I.D. of the cylinder head at the most wear part as shown in the figure below with a small hole gauge. And calculate the clearance.
4. If the clearance exceeds the allowable limit, replace the valves. If it still exceeds the allowable limit, replace the valve guide.



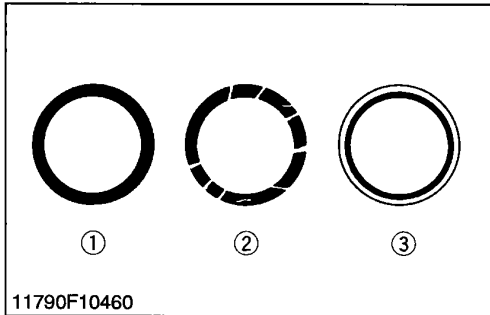
00000S10042



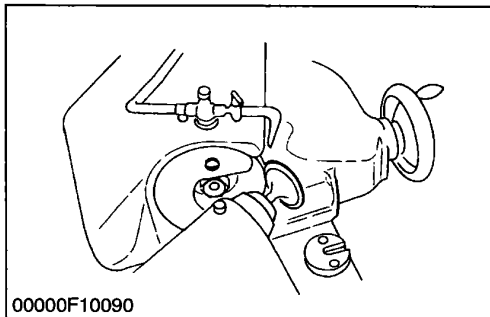
Valve Seating

1. Coat the valve face lightly with prussian blue and put the valve on its seat to check the contact.
2. If the valve does not seat all the way around the valve seat or the valve contact is less than 70 %, correct the valve seating as follows.
3. If the valve contact does not comply with the reference value, replace the valve or correct the contact of valve seating.

- (1) Correct (3) Incorrect
 (2) Incorrect



11790S10230



Correcting Valve and Valve Seat

NOTE

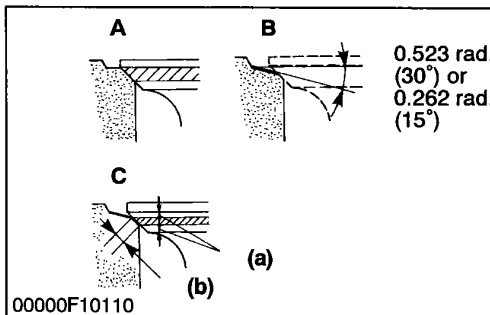
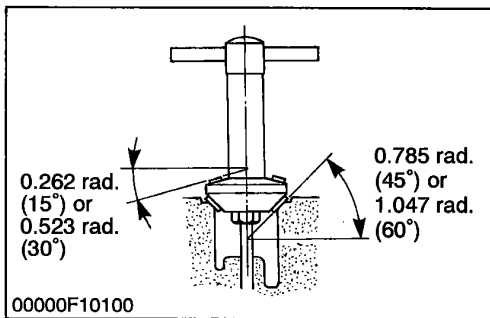
- Before correcting the valve and seat, check the valve stem and the I.D. of the valve guide section, and repair them if necessary.
- After correcting the valve seat, be sure to check the valve recessing.

1) Correcting Valve

1. Correct the valve with a valve refacer.

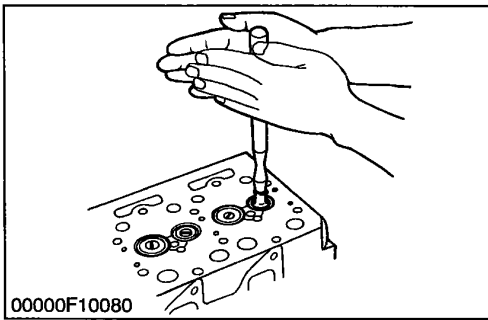
2) Correcting Valve Seat

1. Slightly correct the seat surface with a 1.047 rad. (60°) (intake valve) or 0.785 rad. (45°) (exhaust valve) seat cutter (Code No. 07909-33102).
2. Resurface the seat surface with a 0.523 rad. (30°) valve seat cutter to intake valve seat and with a 0.262 rad. (15°) valve seat cutter to exhaust valve seat so that the width is close to specified valve seat width (2.12 mm, 0.0835 in.).
3. After resurfacing the seat, inspect for even valve seating, apply a thin film of compound between the valve face and valve seat, and fit them with valve lapping tool.
4. Check the valve seating with prussian blue. The valve seating surface should show good contact all the way around.



- (a) Identical Dimensions (A) Check Contact
 (b) Valve Seat Width (B) Correct Seat Width
 (C) Check Contact

00000S10070



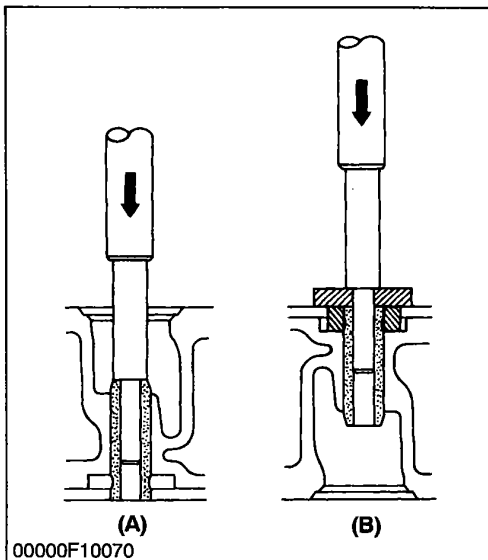
Valve Lapping

1. Apply compound evenly to the valve lapping surface.
2. Insert the valve into the valve guide. Lap the valve onto its seat with a valve flapper or screwdriver.
3. After lapping the valve, wash the compound away and apply oil, then repeat valve lapping with oil.
4. Apply prussian blue to the contact surface to check the seated rate. If it is less than 70 %, repeat valve lapping again.

■ IMPORTANT

- When valve lapping is performed, be sure to check the valve recessing and adjust the valve clearance after assembling the valve.

00000S10060



Replacing Valve Guide

(When removing)

1. Using a valve guide replacing tool (see page S-65), press out the used valve guide.

(When installing)

1. Clean a new valve guide, and apply engine oil to it.
2. Using a valve guide replacing tool, press in a new valve guide until it is flush with the cylinder head as shown in the figure.
3. Ream precisely the I.D. of the valve guide to the specified dimension.

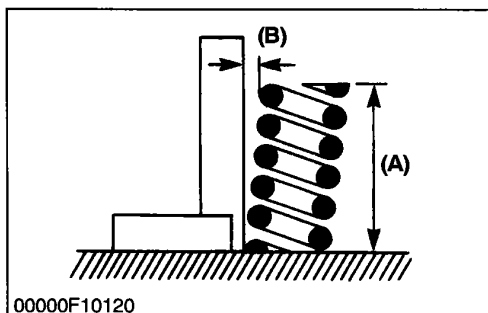
■ IMPORTANT

- Do not hit the valve guide with a hammer, etc. during replacement.

(A) When Removing

(B) When Installing

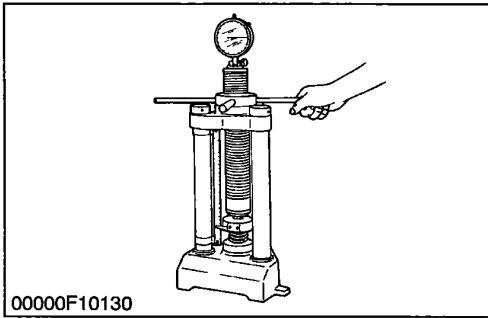
00000S10052



Free Length and Tilt of Valve Spring

1. Measure the free length (A) with vernier calipers. If the measurement is less than the allowable limit, replace it.
2. Put the spring on a surface plate, place a square on the side of the spring, and check to see if the entire side is in contact with the square. Rotate the spring and measure the maximum (B). If the measurement exceeds the allowable limit, replace.
3. Check the entire surface of the spring for scratches. Replace it, if any.

00000S10082

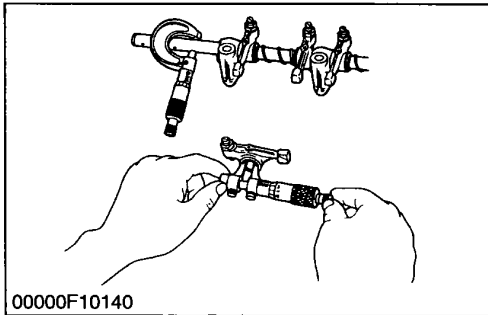


00000F10130

Valve Spring Setting Load

1. Place the valve spring on a tester and compress it to the same length it is actually compressed in the engine.
2. Read the compression load on the gauge.
3. If the measurement is less than the allowable limit, replace it.

00000S10092

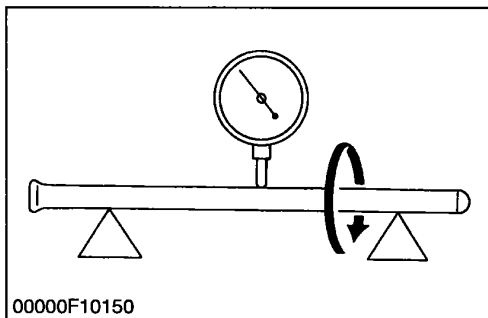


00000F10140

Oil Clearance between Rocker Arm Shaft and Bearing

1. Measure the rocker arm bearing I.D. with an inside micrometer.
2. Measure the rocker arm shaft O.D. with an outside micrometer, and then calculate the oil clearance.
3. If the clearance exceeds the allowable limit, replace the rocker arm and measure the oil clearance again. If it still exceeds the allowable limit, replace also the rocker arm shaft.

00000S10102

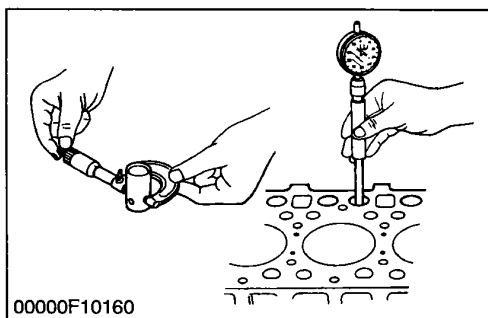


00000F10150

Push Rod Alignment

1. Check the both end of the push rod for cracks, damage and unusual wear.
2. Measure the bending of the push rod with a dial indicator.
3. If the measurement exceeds the allowable limit, replace the push rod.

00000S10111



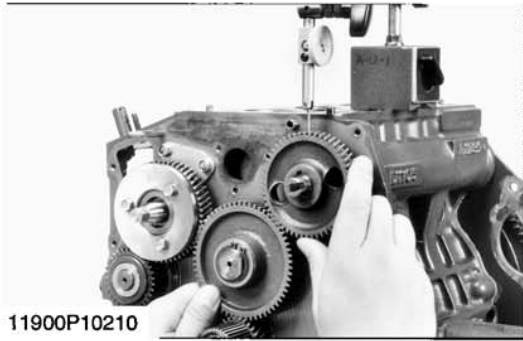
00000F10160

Oil Clearance between Tappet and Tappet Guide Bore

1. Measure the tappet O.D. with an outside micrometer
2. Measure the I.D. of the tappet guide bore with a cylinder gauge, and calculate the oil clearance.
3. If the oil clearance exceeds the allowable limit or the tappet is damaged, replace the tappet.

00000S10122

[2] TIMING GEAR AND CAMSHAFT

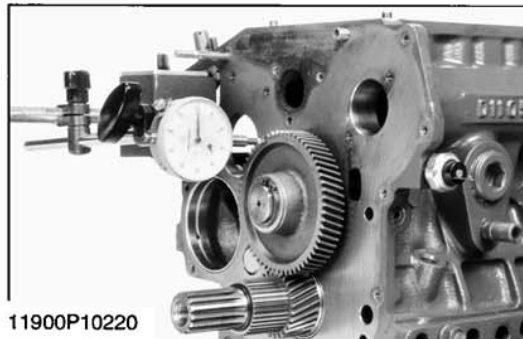


11900P10210

Timing Gear Backlash

1. Set a dial indicator (lever type) with its tip on the gear tooth.
2. Move the gear to measure the backlash, holding its mating gear.
3. If the backlash exceeds the allowable limit, check the oil clearance of the shafts and the gear.
4. If the oil clearance is proper, replace the gear.

00000S10132

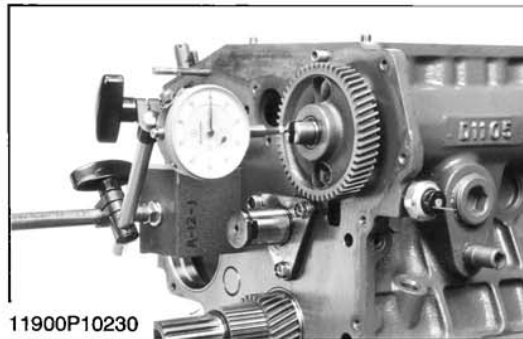


11900P10220

Idle Gear Side Clearance

1. Set a dial indicator with its tip on the idle gear.
2. Measure the side clearance by moving the idle gear to the front and rear.
3. If the measurement exceeds the allowable limit, replace the idle gear collar.

00000S10142

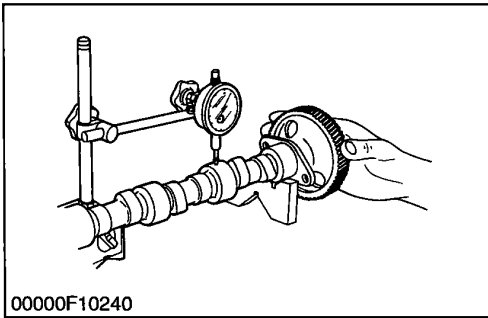


11900P10230

Camshaft Side Clearance

1. Set a dial indicator with its tip on the camshaft.
2. Measure the side clearance by moving the cam gear to the front and rear.
3. If the measurement exceeds the allowable limit, replace the camshaft stopper.

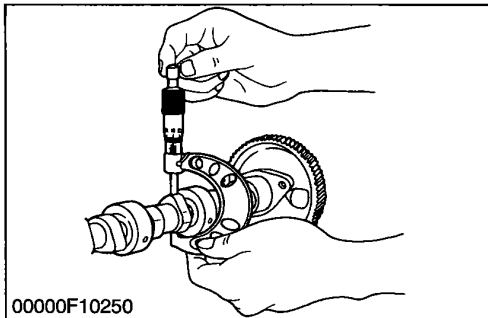
00000S10182



Camshaft Alignment

1. Support the camshaft with V blocks on the surface plate and set a dial indicator with its tip on the intermediate journal at right angle.
2. rotate the camshaft on the V blocks and get the misalignment (half of the measurement).
3. if the misalignment exceeds the allowable limit, replace the camshaft.

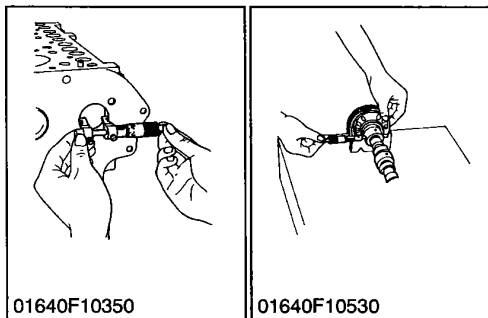
00000S10191



Cam Height

1. Measure the height of the cam at its highest point with an outside micrometer.
2. If the measurement is less than the allowable limit, replace the camshaft.

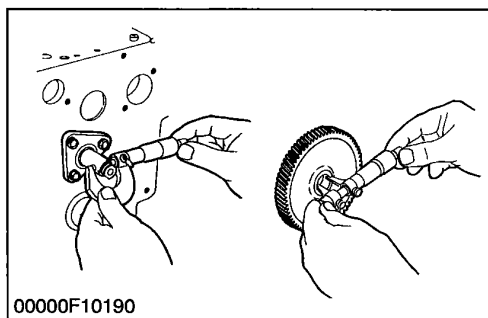
00000S10202



Oil Clearance of Camshaft Journal

1. Measure the camshaft journal O.D. with an outside micrometer
2. Measure the cylinder block bore I.D. for camshaft with an inside micrometer.
Calculate the oil clearance.
3. If the clearance exceeds the allowable limit, replace the camshaft.

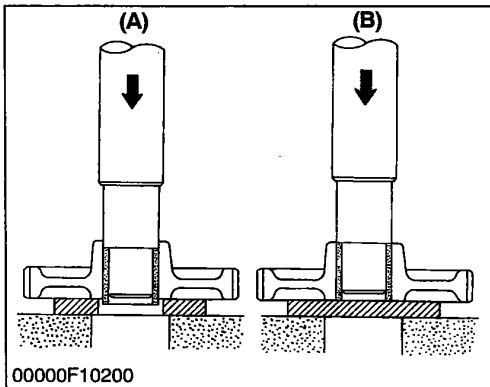
00000S10172



Oil Clearance between Idle Gear Shaft and Idle Gear Bushing

1. Measure the idle gear shaft O.D. with an outside micrometer.
2. Measure the idle gear bushings I.D. with an inside micrometer, and calculate the oil clearance.
3. If the oil clearance exceeds the allowable limit, replace the bushing.

00000S10152



Replacing Idle Gear Bushing

(A) (When removing)

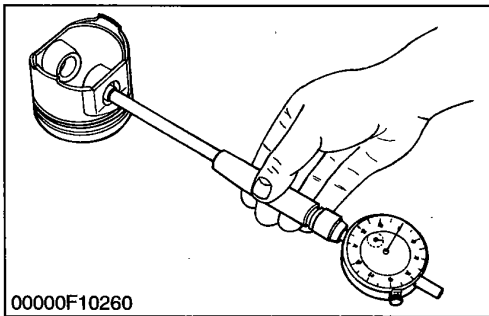
1. Using an idle gear bushing replacing tool (see page S-69), press out the used bushing.

(B) (When installing)

1. Clean a new idle gear bushing and idle gear bore, and apply engine oil to them.
2. Using an idle gear bushing replacing tool, press in a new bushing (service parts) to the specified dimension. (See figure.)

00000S10161

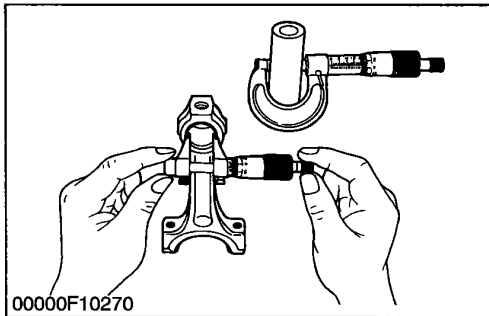
[3] PISTON AND CONNECTING ROD



Piston Pin Bore I.D.

1. Measure the piston pin bore I.D. in both the horizontal and vertical directions with a cylinder gauge.
2. If the measurement exceeds the allowable limit, replace the piston.

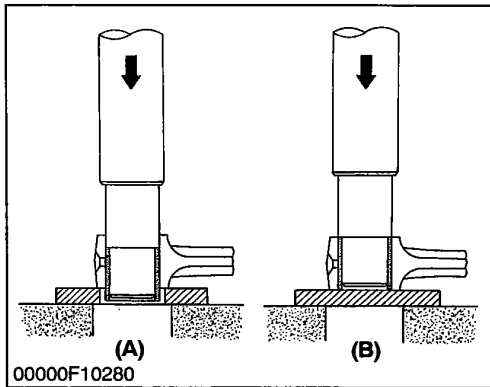
00000S10212



Oil Clearance between Piston Pin and Small End Bushing

1. Measure the O.D. of the piston pin where it contacts the bushing with an outside micrometer.
2. Measure the I.D. of the piston pin bushing at the connecting rod small end with a cylinder gauge.
Calculate the oil clearance.
3. If the clearance exceeds the allowable limit, replace the bushing.
If it still exceeds the allowable limit, replace the piston pin.

00000S10222



Replacing Small End Bushing

(When removing)

1. Press out the used bushing using a small end bushing replacing tool.

(When installing)

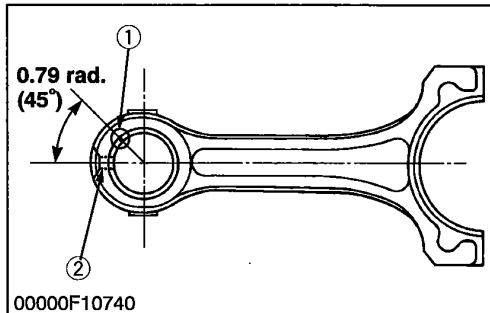
1. Clean a new small end bushing and bore, and apply engine oil to them.
2. Insert a new bushing onto the tool and press-fit it with a press so that the seam (1) of bushing positions as shown in the figure, until it is flush with the connecting rod.
3. Drill a hole to the bushing with aligning the oil hole (2) of connecting rod using 4.0 mm dia. (0.157 in. dia.) drill.

NOTE

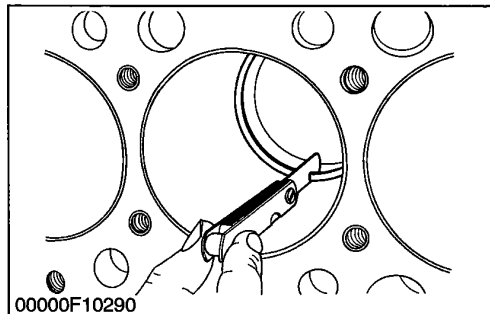
- **Be sure to chamfer the oil hole circumference with an oil stone.**

- (1) Seam
(2) Oil Hole

- (A) When Removing
(B) When Installing



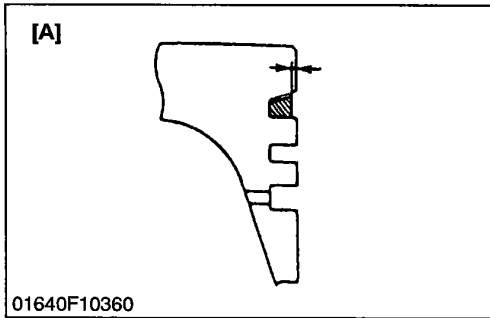
00000S10231



Piston Ring Gap

1. Insert the piston ring into the lower part of the liner (the least worn out part) with the piston.
2. Measure the ring gap with a feeler gauge.
3. If the gap exceeds the allowable limit, replace the piston ring.

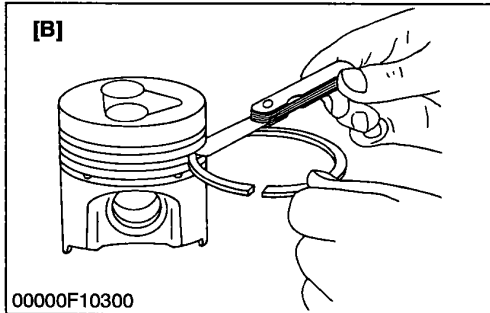
00000S10242



Clearance between Piston Ring and Groove

1. Remove carbon from the ring grooves.
2. Measure the clearance between the ring and the groove with a feeler gauge or depth gauge.
3. If the clearance exceeds allowable limit, replace the ring since compression leak and oil shortage result.
4. If the clearance still exceeds the allowable limit after replacing the ring, replace the piston.

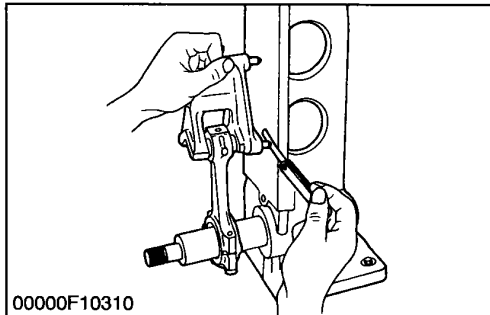
Factory spec : A	More than 0.2 mm 0.079 in.
------------------	-------------------------------



(A) Top Ring (Key Stone Type)

(B) 2nd, Oil Ring

00000S10252



Connecting Rod Alignment

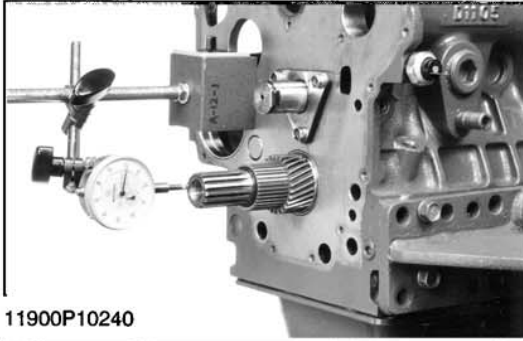
■ NOTE

- Since the I.D. of the connecting rod small end bushing is the basis of this check, check the bushing for wear beforehand.

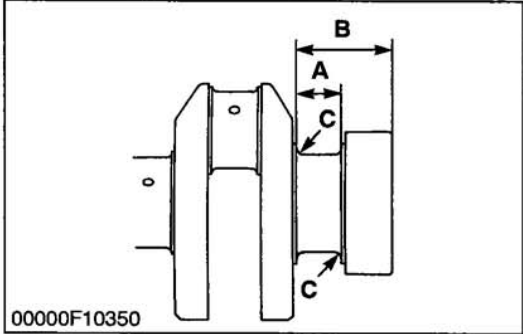
1. Remove the crankpin bearing, and install the connecting rod cap.
2. Install the piston pin in the connecting rod.
3. Install the connecting rod on the connecting rod alignment tool (Code No. 07909-31661).
4. Put a gauge over the piston pin, and move it against the face plate.
5. If the gauge does not fit squarely against the face plate, measure the space between the pin of the gauge and the face plate.
6. If the measurement exceeds the allowable limit, replace the connecting rod.

00000S10261

[4] CRANKSHAFT



11900P10240



00000F10350

Crankshaft Side Clearance

1. Set a dial indicator with its tip on the end of the crankshaft.
2. Measure the side clearance by moving the crankshaft to the front and rear.
3. If the measurement exceeds the allowable limit, replace the thrust bearings.
4. If the same size bearing is useless because of the crankshaft journal wear, replace it with an oversize one referring to the table and figure.

Crankshaft side clearance	Factory spec.	0.15 to 0.31 mm 0.0059 to 0.0122 in.
	Allowable limit	0.50 mm 0.0197 in.

(Reference)

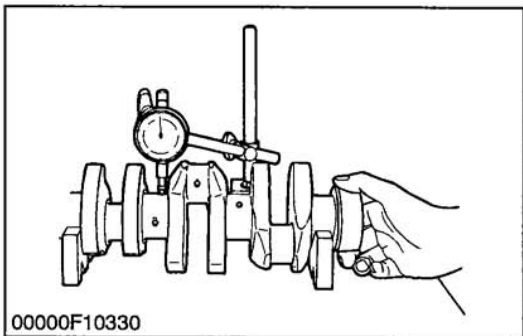
- Oversize thrust bearing

Oversize	Bearing	Code Number	Marking
0.2 mm 0.008 in.	Thrust bearing 1 02	15521-23951	020 OS
	Thrust bearing 2 02	19202-23971	020 OS
0.4 mm 0.016 in.	Thrust bearing 1 04	15521-23961	040 OS
	Thrust bearing 2 04	19202-23981	040 OS

- Oversize dimensions of crankshaft journal

Over-size Dimension	0.2 mm 0.008 in.	0.4 mm 0.016 in.
	A	28.20 to 28.25 mm 1.1102 to 1.1122 in.
B	51.5 to 51.7 mm 2.028 to 2.035 in.	51.6 to 51.8 mm 2.031 to 2.039 in.
C	2.3 to 2.7 mm radius 0.091 to 0.106 in. radius	2.3 to 2.7 mm radius 0.091 to 0.106 in. radius
(0.8-S) The crankshaft journal must be fine-finished to higher than VVVV .		

00000S10291

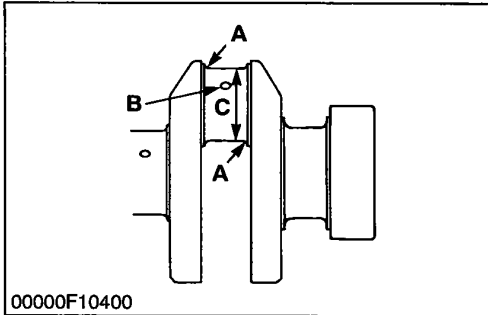
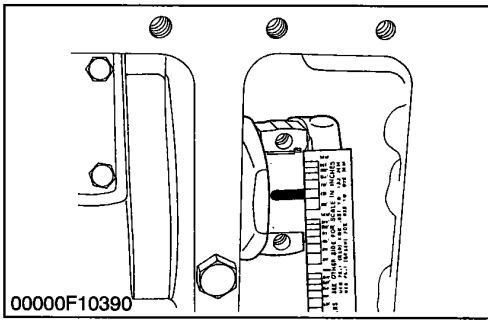


00000F10330

Crankshaft Alignment

1. Support the crankshaft with V blocks on the surface plate and set a dial indicator with its tip on the intermediate journal at right angle.
2. Rotate the crankshaft on the V blocks and get the misalignment (half of the measurement).
3. If the misalignment exceeds the allowable limit, replace the crankshaft.

00000S10281



Oil Clearance between Crankpin and Crankpin Bearing

1. Clean the crankpin and crankpin bearing.
2. Put a strip of plastigage (Code No. 07909-30241) on the center of the crankpin.
3. Install the connecting rod cap and tighten the connecting rod screws to the specified torque, and remove the cap again.
4. Measure the amount of the flattening with the scale, and get the oil clearance.
5. If the oil clearance exceeds the allowable limit, replace the crankpin bearing.
6. If the same size bearing is useless because of the crankpin wear, replace it with an undersize one referring to the table and figure.

NOTE

- Never insert the plastigage into the crankpin oil hole.
- Be sure not to move the crankshaft while the connecting rod screws are tightened.

Oil clearance between crankpin and crankpin bearing	Factory spec.	0.029 to 0.091 mm 0.00114 to 0.00358 in.
	Allowable limit	0.20 mm 0.0079 in.
Crankpin O.D.	Factory spec.	39.959 to 39.975 mm 1.57319 to 1.57382 in.
Crankpin bearing I.D.	Factory spec.	40.004 to 40.050 mm 1.57496 to 1.57677 in.

(Reference)

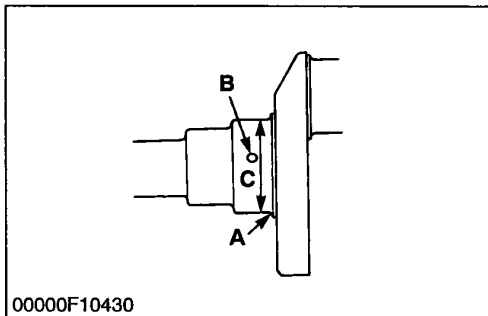
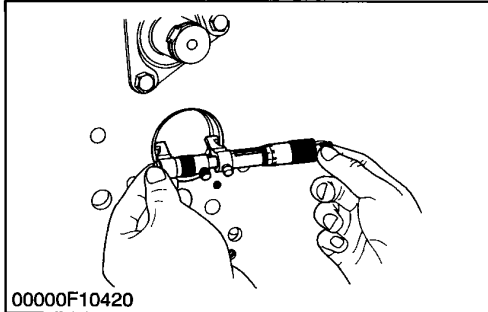
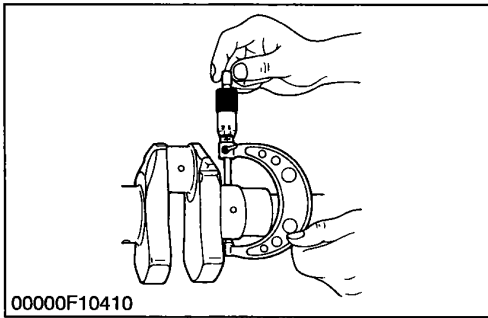
- Undersize crankpin bearing

Undersize	Bearing	Code Number	Marking
0.2 mm 0.008 in.	Crankpin bearing 02	16241-22971	020 US
0.4 mm 0.016 in.	Crankpin bearing 04	16241-22981	040 US

- Undersize dimensions of crankpin

Undersize Dimension	0.2 mm 0.008 in.	0.4 mm 0.016 in.
	A	2.8 to 3.2 mm radius 0.1102 to 0.1260 in. radius
B	1.0 to 1.5 mm radius 0.0394 to 0.0591 in. radius	1.0 to 1.5 mm radius 0.0394 to 0.0591 in. radius
C	39.759 to 39.775 mm 1.56531 to 1.56594 in.	39.559 to 39.575 mm 1.55744 to 1.55807 in.
(0.8-S) The crankpin must be fine-finished to higher than VVVV .		

00000S10321



Oil Clearance between Crankshaft Journal and Crankshaft Bearing 1

1. Measure the O.D. of the crankshaft front journal with an outside micrometer.
2. Measure the I.D. of the crankshaft bearing 1 with an inside micrometer, and calculate the oil clearance.
3. If the oil clearance exceeds the allowable limit, replace the crankshaft bearing 1.
4. If the same size bearing is useless because of the crankshaft journal wear, replace it with an undersize one referring to the table and figure.

Oil clearance between crankshaft journal and crankshaft bearing 1	Factory spec.	0.034 to 0.114 mm 0.00134 to 0.00449 in.
	Allowable limit	0.20 mm 0.0079 in.

Crankshaft journal O.D.	Factory spec.	47.934 to 47.950 mm 1.88716 to 1.88779 in.
Crankshaft bearing 1 I.D.	Factory spec.	47.984 to 48.048 mm 1.88913 to 1.89165 in.

(Reference)

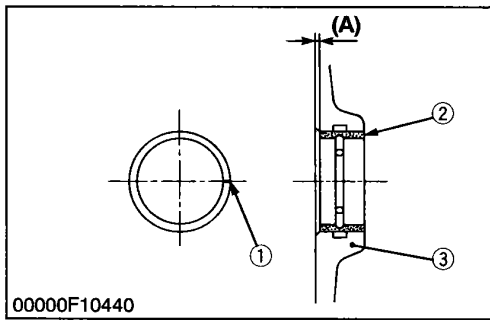
- Undersize crankshaft bearing 1

Undersize	Bearing	Code Number	Marking
0.2 mm 0.008 in.	Crankshaft bearing 1 02	16241-23911	020 US
0.4 mm 0.016 in.	Crankshaft bearing 1 04	16241-23921	040 US

- Undersize dimensions of crankshaft journal

Undersize Dimension	0.2 mm 0.008 in.	0.4 mm 0.016 in.
A	2.3 to 2.7 mm radius 0.0906 to 0.1063 in. radius	2.3 to 2.7 mm radius 0.0906 to 0.1063 in. radius
B	1.0 to 1.5 mm radius 0.0394 to 0.0591 in. radius	1.0 to 1.5 mm radius 0.0394 to 0.0591 in. radius
C	47.734 to 47.750 mm 1.87929 to 1.87992 in.	47.534 to 47.550 mm 1.87142 to 1.87204 in.
(0.8-S) The crankshaft journal must be fine-finished to higher than ∇∇∇∇.		

00000S10331



Replacing Crankshaft Bearing 1

(When removing)

1. Press out the used crankshaft bearing 1 using a crankshaft bearing 1 replacing tool.

(When installing)

1. Clean a new crankshaft bearing 1 and crankshaft journal bore, and apply engine oil to them.
2. Using a crankshaft bearing 1 replacing tool, press in a new bearing 1 (2) so that its seam (1) directs toward the exhaust manifold side. (See figure)

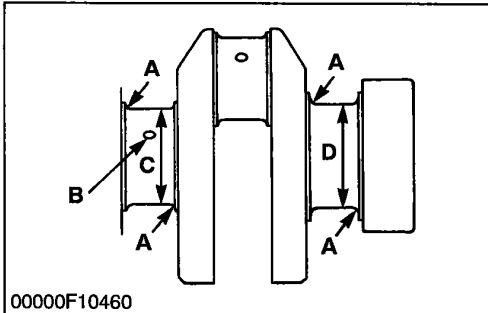
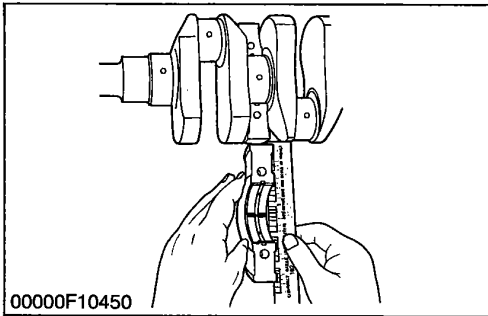
Dimension (A)	Factory spec.	0 to 0.3 mm 0 to 0.0118 in.
---------------	---------------	--------------------------------

(1) Seam

(3) Cylinder Block

(2) Crankshaft Bearing 1

00000S10341



Oil Clearance between Crankshaft Journal and Crankshaft Bearing 2 (Crankshaft Bearing 3)

1. Put a strip of plastigage (Code No. 07909-30241) on the center of the journal.
2. Install the bearing case and tighten the bearing case screws 1 to the specified torque, and remove the bearing case again.
3. Measure the amount of the flattening with the scale, and get the oil clearance.
4. If the oil clearance exceeds the allowable limit, replace the crankshaft bearing 2 (crankshaft bearing 3).
5. If the same size bearing is useless because of the crankshaft journal wear, replace it with an undersize one referring to the table and figure.

NOTE

- Be sure not to move the crankshaft while the bearing case screws are tightened.

Oil clearance between crankshaft journal and crankshaft bearing 2	Factory spec.	0.034 to 0.095 mm 0.00134 to 0.00374 in.
	Allowable limit	0.20 mm 0.0079 in.
Crankshaft journal O.D. (Intermediate)	Factory spec.	47.934 to 47.950 mm 1.88716 to 1.88779 in.
Crankshaft bearing 2 I.D.	Factory spec.	47.984 to 48.029 mm 1.88913 to 1.89091 in.
Oil clearance between crankshaft journal and crankshaft bearing 3	Factory spec.	0.034 to 0.098 mm 0.00134 to 0.00386 in.
	Allowable limit	0.20 mm 0.0079 in.
Crankshaft journal O.D. (Flywheel side)	Factory spec.	51.921 to 51.940 mm 2.04413 to 2.04488 in.
Crankshaft bearing 3 I.D.	Factory spec.	51.974 to 52.019 mm 2.04622 to 2.04799 in.

00000S10351

Oil Clearance between Crankshaft Journal and Crankshaft Bearing 2 and 3 (Continue)

(Reference)

- Undersize crankshaft bearing 2 and 3

Undersize	Bearing	Code Number	Marking
0.2 mm 0.008 in.	Crankshaft bearing 2 02	16241-23931	020 US
	Crankshaft bearing 3 02	16241-23861	020 US
0.4 mm 0.016 in.	Crankshaft bearing 2 04	16241-23941	040 US
	Crankshaft bearing 3 04	16241-23871	040 US

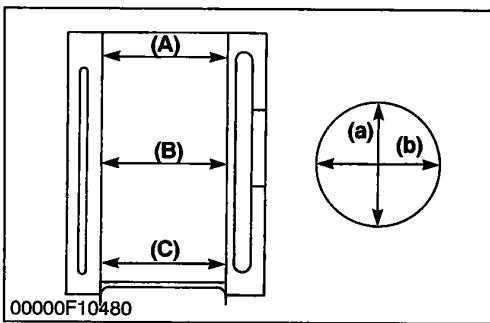
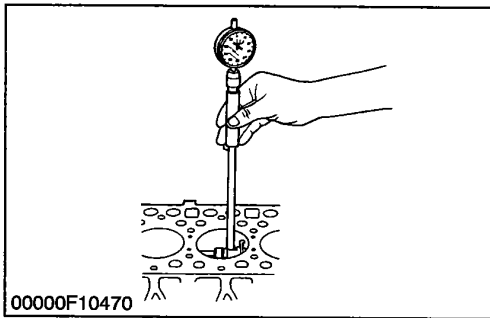
- Undersize dimensions of crankshaft journal

Undersize Dimension	0.2 mm 0.008 in.	0.4 mm 0.016 in.
A	2.3 to 2.7 mm radius 0.0906 to 0.1063 in. radius	2.3 to 2.7 mm radius 0.0906 to 0.1063 in. radius
B	1.0 to 1.5 mm radius 0.0394 to 0.0591 in. radius	1.0 to 1.5 mm radius 0.0394 to 0.0591 in. radius
C	47.734 to 47.750 mm 1.87929 to 1.87992 in.	47.534 to 47.550 mm 1.87141 to 1.87204 in.
D	51.721 to 51.740 mm 2.03626 to 2.03700 in.	51.521 to 51.540 mm 2.02838 to 2.02913 in.

• The crankpin journal must be fine-finished to higher than ∇∇∇∇ (0.8 S).

00000S10352

[5] CYLINDER



Cylinder Wear

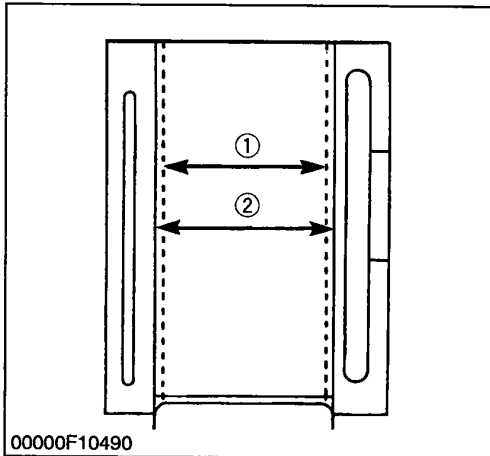
1. Measure the I.D. of the cylinder at the six positions (see figure) with a cylinder gauge to find the maximum and minimum I.D.'s.
2. Get the difference (Maximum wear) between the maximum and the minimum I.D.'s
3. If the wear exceeds the allowable limit, bore and hone to the oversize dimension. (Refer to **“Correcting Cylinder”**.)
4. Visually check the cylinder wall for scratches. If deep scratches are found, the cylinder should be bored. (Refer to **“Correcting Cylinder”**.)

Cylinder I.D.	Factory spec.	D905-B (E) V1205-B (E) V1205-T-B (E)	72.000 to 72.019 mm 2.8346 to 2.8353 in.
		D1005-B (E) V1305-B (E)	76.000 to 76.019mm 2.9921 to 2.9929 in.
		D1105-B (E) D1105-T-B (E) V1505-B (E) V1505-T-B (E)	78.000 to 78.019 mm 3.0709 to 3.0716 in.
Maximum wear	Allowable limit		0.15 mm 0.0059 in.

- (A) Top
- (B) Middle
- (C) Bottom (Skirt)

- (a) Right-angled to Piston Pin
- (b) Piston Pin Direction

01642S10362



00000F10490

Correcting Cylinder

1. When the cylinder is worn beyond the allowable limit, bore and hone it to the specified dimension.

Cylinder I.D.	Factory spec.	D905-B (E) V1205-B (E) V1205-T-B (E)	72.500 to 72.519 mm 2.8346 to 2.8551 in.
		D1005-B (E) V1305-B (E)	76.500 to 76.519mm 3.0118 to 3.0126 in.
		D1105-B (E) D1105-T-B (E) V1505-B (E) V1505-T-B (E)	78.500 to 78.519 mm 3.0906 to 3.0913 in.
Maximum wear	Allowable limit	0.15 mm 0.0059 in.	
Finishing	Hone to 1.2 to 2.0 μR max. (0.00047 to 0.00079 in.R max.)		

2. Replace the piston and piston rings with oversize (0.5 mm) ones.

Part Name	Model	Code Number	Marking
Piston	D905-B (E), V1205-B (E)	16224-2191-0	05 OS
	V1205-T-B (E)	16295-2191-0	
	D1005-B (E), V1305-B (E)	16050-2191-0	
	D1105-B (E), V1505-B (E)	16060-2191-0	
	D1105-T-B (E) V1505-T-B (E)	16292-2191-0	
Piston ring assembly	D905-B (E), V1205-B (E)	15901-2109-0	05 OS
	V1205-T-B (E)	16269-2109-0	
	D1005-B (E), V1305-B (E)	16271-2109-0	
	D1105-B (E), V1505-B (E)	16261-2109-0	
	D1105-T-B (E) V1505-T-B (E)	16292-2109-0	

NOTE

- When the oversize cylinder is worn beyond the allowable limit, replace the cylinder block with a new one.

(1) Cylinder I.D. (Before Correction) (2) Oversize Cylinder I.D.

01642S10372

2 LUBRICATING SYSTEM

CHECKING



01640P10230

Engine Oil Pressure

1. Remove the oil switch and set a pressure tester (Code No. 07916-32031).
2. Start the engine. After warming up, measure the oil pressure of both idling and rated speeds.
3. If the oil pressure is less than the allowable limit, check the following.
 - Engine oil insufficient
 - Oil pump defective
 - Oil strainer clogged
 - Oil filter cartridge
 - Oil gallery clogged
 - Excessive oil clearance of bearing
 - Foreign matter in the relief valve

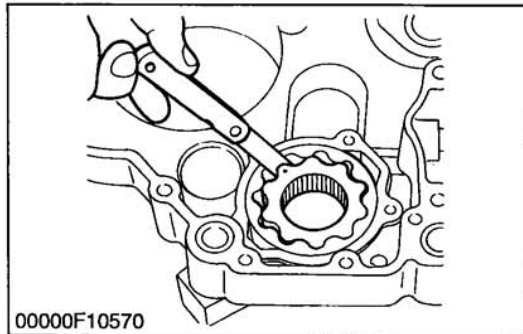
(When reassembling)

- After checking the engine oil pressure, tighten the engine oil pressure switch to the specified torque.

11900S10261

SERVICING

[1] OIL PUMP

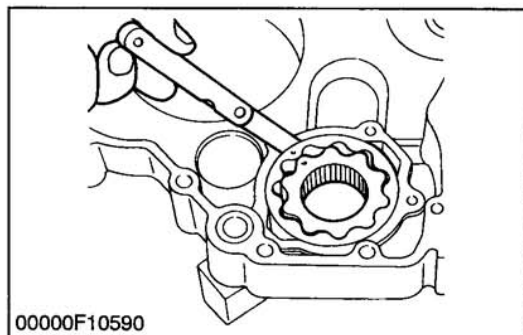


00000F10570

Rotor Lobe Clearance

1. Measure the clearance between lobes of the inner rotor and the outer rotor with a feeler gauge.
2. If the clearance exceeds the factory specifications, replace the oil pump rotor assembly.

00000S10422

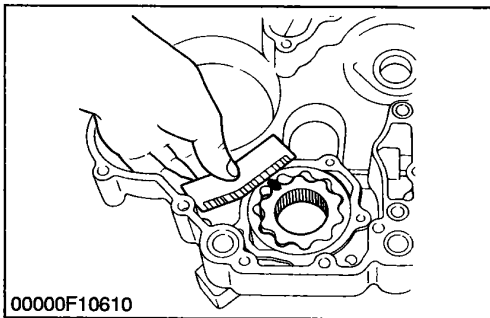


00000F10590

Clearance between Outer Rotor and Pump Body

1. Measure the clearance between the outer rotor and the pump body with a feeler gauge.
2. If the clearance exceeds the factory specifications, replace the oil pump rotor assembly.

00000S10432

**Clearance between Rotor and Cover**

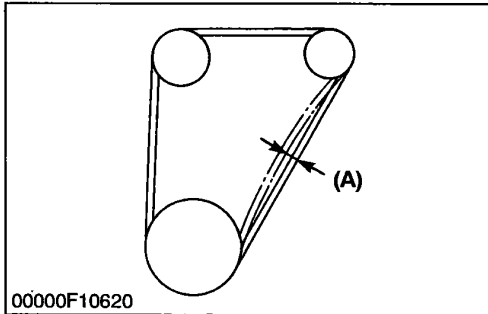
1. Put a strip of plastigage (Code No. 07909-30241) onto the rotor face with grease.
2. Install the cover and tighten the screws.
3. Remove the cover carefully, and measure the amount of the flattening with the scale and get the clearance.
4. If the clearance exceeds the factory specifications, replace oil pump rotor assembly.

0000S10442

3 COOLING SYSTEM

CHECKING

[1] FAN BELT



Fan Belt Tension

1. Press the fan belt between fan pulley and pulley at force of 10 kgf (98 N, 22 lbs).
Check if the fan belt deflection is 10 to 12 mm (0.394 to 0.472 in.)
2. If the deflection is not within the factory specifications, adjust with the tension pulley adjusting nut.

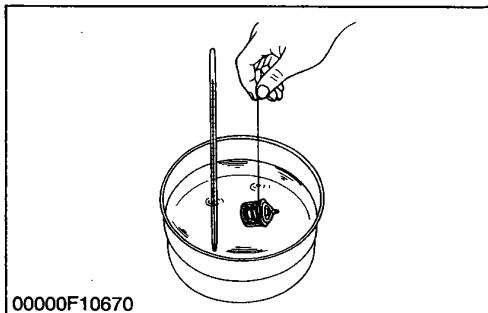
00000S10451

[2] RADIATOR

⚠ CAUTION

- When removing the radiator cap, wait at least ten minutes after the engine has stopped and cooled down. Otherwise, hot water may gush out, scalding nearby people.

01640S10430

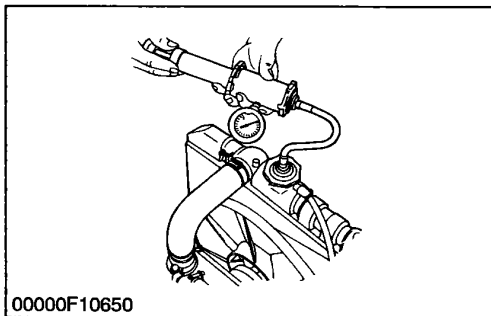


Thermostat Valve Opening Temperature

1. Push down the thermostat valve and insert a string between the valve and the valve seat.
2. Place the thermostat and a thermometer in a container with water and gradually heat the water.
3. Hold the string to suspend the thermostat in the water. When the water temperature rises, the thermostat valve will open, allowing it to fall down from the string.
Read the temperature at this moment on the thermometer.
4. Continue heating the water and read the temperature when the valve has risen by about 6 mm (0.236 in.).
5. If the measurement is not acceptable, replace the thermostat.

Thermostat's valve opening temperature	Factory spec.	69.5 to 72.5 °C 157.1 to 162.5 °F
Temperature at which thermostat completely opens	Factory spec.	85 °C 185 °F

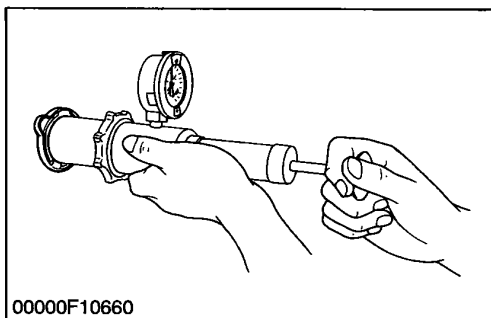
00000S10492



Radiator Water Leakage

1. Pour a specified amount of water into the radiator.
2. Set a radiator tester (Code No. 07909-31551). Increase water pressure to the specified pressure of 1.4 kgf/cm² (137 kPa, 20 psi).
3. Check the radiator for water leaks.
4. When water leakage is excessive, replace the radiator. If water leakage is caused by a small pinhole, correct the radiator with radiator cement.

00000S10471

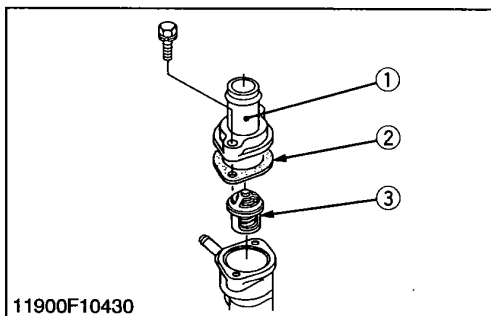


Radiator Cap Air Leakage

1. Set a radiator tester (Code No. 07909-31551) on the radiator cap.
2. Apply the specified pressure of 0.9 kgf/cm² (98.1 kPa, 12.8 psi).
3. Check if the pressure drop to less than 0.6 kgf/cm² (59 kPa, 9 psi) in 10 seconds.
4. If the pressure is less than the factory specification, replace it.

00000S10481

DISASSEMBLING AND ASSEMBLING



Thermostat Assembly

1. Remove the thermostat cover mounting screws, and remove the thermostat cover (1).
2. Remove the thermostat assembly (3).

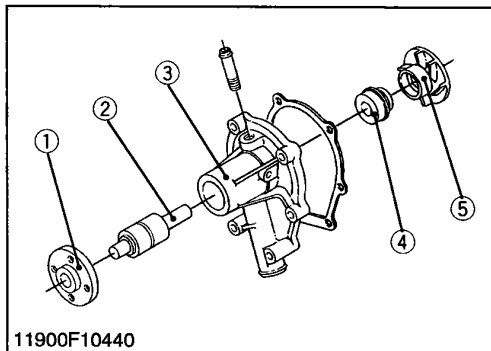
(When reassembling)

- Apply a liquid gasket (Three Bond 1215 or equivalent) only at the thermostat cover side of the gasket (2).

- (1) Thermostat Cover
(2) Thermostat Cover Gasket

- (3) Thermostat Assembly

11900S10270



Water Pump Assembly

1. Loosen the alternator mounting bolts, and remove the fan belt.
2. Remove the fan and fan pulley.
3. Remove the water pump assembly from the gear case cover.
4. Remove the water pump flange (1).
5. Press out the water pump shaft (2) with the impeller (5) on it.
6. Remove the impeller from the water pump shaft.
7. Remove the mechanical seal (4).

(When reassembling)

- Apply a liquid gasket (Three Bond 1215 or equivalent) to the both sides of gasket.
- Replace the mechanical seal with new one.

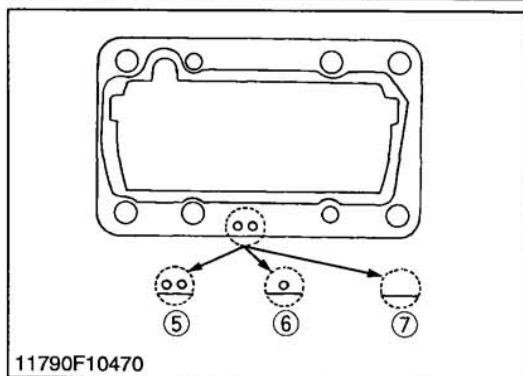
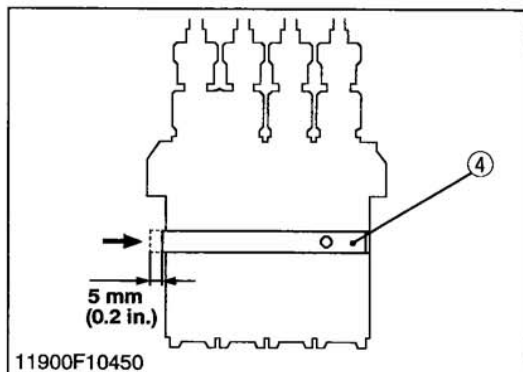
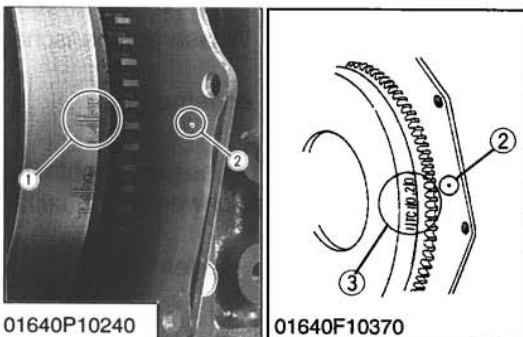
- | | |
|-----------------------|---------------------|
| (1) Water Pump Flange | (4) Mechanical Seal |
| (2) Water Pump Shaft | (5) Impeller |
| (3) Water Pump Body | |

11900S10280

4 FUEL SYSTEM

CHECKING AND ADJUSTING

[1] INJECTION PUMP



Injection Timing

■ IMPORTANT

● When inspecting the fuel injection timing, the timing control actuates during starting and the correct fuel injection timing cannot be measured.

1. Remove the injection pipes.
2. Remove the engine stop solenoid, push in the control rack of the injection pump by 5 mm (0.2 in.) and hold it at that position.
3. Turn the flywheel counterclockwise until fuel flows from the delivery valve holder.
4. Continue to turn the flywheel slowly, and stop it as soon as the fuel level at the tip of the delivery valve holder begins to increase.
5. Check to see if the mark "FI" (1) or timing angle lines on the flywheel is aligned with the punch mark (2).
6. If the timing is out of adjustment, readjust the timing with shims.

- | | |
|------------------|---|
| (1) Mark "FI" | (5) Two-holes : 0.20 mm (0.0079 in.) |
| (2) Punch Mark | (6) One-hole : 0.25 mm (0.0098 in.) |
| (3) Timing Mark | (7) Without hole : 0.30 mm (0.0118 in.) |
| (4) Control Rack | |

11900S10291

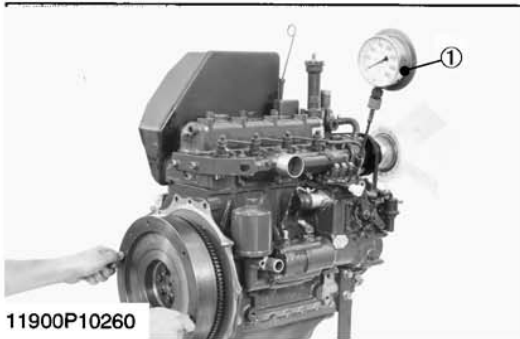
Injection Timing (Continue)**■ NOTE****(Engine serial number : ~ 489290)**

- Shims are available in thickness of 0.15 mm (0.0059 in.), 0.30 mm (0.0118 in.). Combine these shims for adjustments.
- Addition or reduction of shim (0.15 mm, 0.0059 in.) delays or advances the injection timing by approx. 0.026 rad. (1.5°).
- After adjusting the injection timing, apply liquid-type gasket (Three Bond 1215 or its equivalent) to both sides of the injection pump shim before reassembling.

(Engine serial number : 489291 ~)

- The sealant is applied to both sides of the soft metal gasket shim. The liquid gasket is not required for assembling.
- Shims are available in thickness of 0.20 mm (0.0079 in.), 0.25 mm (0.0098 in.) and 0.30 mm (0.0118 in.). Combine these shims for adjustments.
- Addition or reduction of shim (0.05 mm, 0.0020 in.) delays or advances the injection timing by approx. 0.0087 rad. (0.5°).
- In disassembling and replacing, be sure to use the same number of new gasket shims with the same thickness.

11900S10292

**Fuel Tightness of Pump Element**

1. Remove the injection pipes and glow plugs.
2. Install the injection pump pressure tester (1) to the injection pump.
3. Set the speed control lever to the maximum speed position.
4. Turn the flywheel ten times or more to increase the pressure.
5. If the pressure can not reach the allowable limit, replace the pump element or injection pump assembly.

■ NOTE

- Apply a liquid gasket (Three Bond 1215 or equivalent) to both sides of the solenoid cover gasket.

(1) Injection Pump Pressure Tester

11900S10301



Fuel Tightness of Delivery Valve

1. Remove the injection pipes and glow plugs.
2. Set a pressure tester to the fuel injection pump.
3. Turn the flywheel and raise the pressure to approx. 14.7 MPa (150 kgf/cm², 2133 psi).
4. Now turn the flywheel back about half a turn (to keep the plunger free). Maintain the flywheel at this position and clock the time taken for the pressure to drop from 14.7 to 13.7 MPa (from 150 to 140 kgf/cm², from 2133 to 1990 psi).
5. Measure the time needed to decrease the pressure from 14.7 to 13.7 MPa (from 150 to 140 kgf/cm², from 2133 to 1990 psi).
6. If the measurement is less than allowable limit, replace the delivery valve.

■ NOTE

- Apply a liquid gasket (Three Bond 1215 or equivalent) to both sides of the solenoid cover gasket.

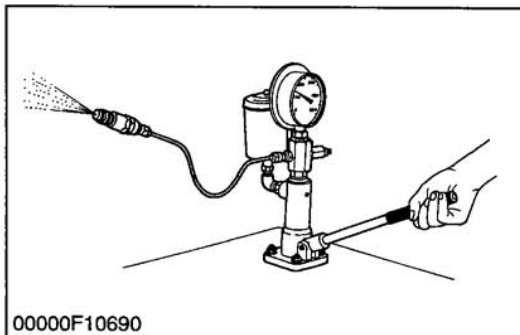
11900S10311

[2] INJECTION NOZZLE

⚠ CAUTION

- Check the injection pressure and condition after confirming that there is nobody standing in the direction the fume goes.
If the fume from the nozzle directly contacts the human body, cells may be destroyed and blood poisoning may be caused.

11790S10690



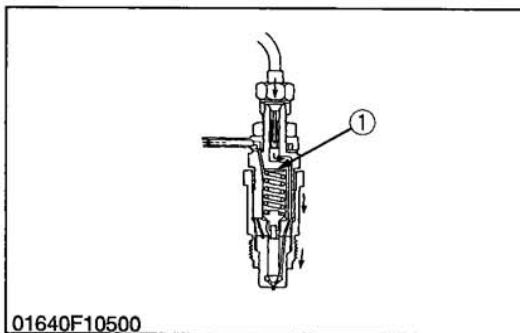
Nozzle Injection Pressure

1. Set the injection nozzle to the nozzle tester.
2. Slowly move the tester handle to measure the pressure at which fuel begins jetting out from the nozzle.
3. If the measurement is not within the factory specifications, disassemble the injection nozzle, and change adjusting washer (1) until the proper injection pressure is obtained.

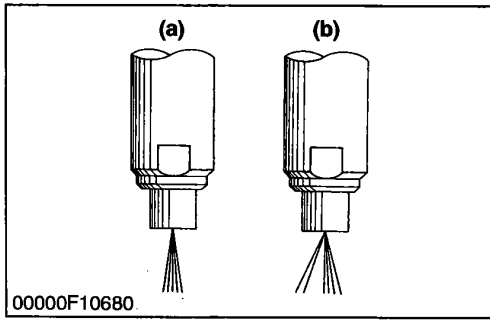
(Reference)

- Pressure variation with 0.025 mm (0.001 in.) difference of adjusting washer thickness.
Approx. 59 kPa (6 kgf/cm², 85 psi)

- (1) Adjusting Washer



00000S10512



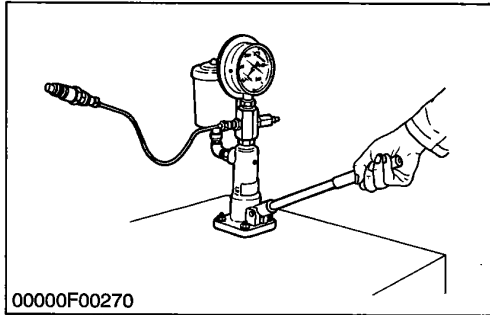
Nozzle Spraying Condition

1. Set the injection nozzle to a nozzle tester (Code No. 07909-31361), and check the nozzle spraying condition.
2. If the spraying condition is defective, replace the nozzle piece.

(a) Good

(b) Bad

0000S10500



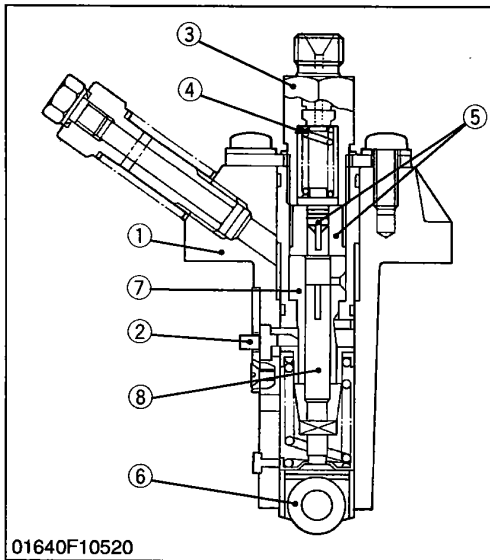
Valve Seat Tightness

1. Set the injection nozzle to a nozzle tester (Code No. 07909-31361).
2. Raise the fuel pressure, and keep at 12.75 MPa (130 kgf/cm², 1849 psi) for 10 seconds.
3. If any fuel leak is found, replace the nozzle piece.

0000S10521

DISASSEMBLING AND ASSEMBLING

[1] INJECTION PUMP



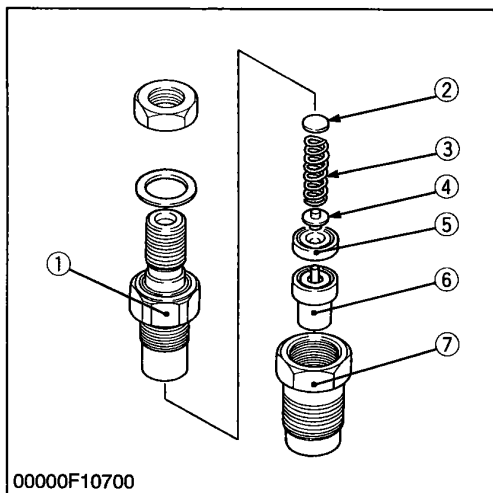
■ IMPORTANT

- If replacing the pump element, the amount of fuel injection should be adjusted on a specified bench.

- | | |
|---------------------------|--------------------|
| (1) Pump Body | (5) Delivery Valve |
| (2) Control Rack | (6) Tappet Roller |
| (3) Delivery Valve Holder | (7) Cylinder |
| (4) Delivery Valve Spring | (8) Plunger |

01640S10440

[2] INJECTION NOZZLE



Nozzle Holder

1. Secure the nozzle retaining nut (7) with a vise.
2. Remove the nozzle holder (1), and take out parts inside.

(When reassembling)

- Assemble the nozzle in clean fuel oil.
- Install the push rod (4), noting its direction.
- After assembling the nozzle, be sure to adjust the fuel injection pressure.

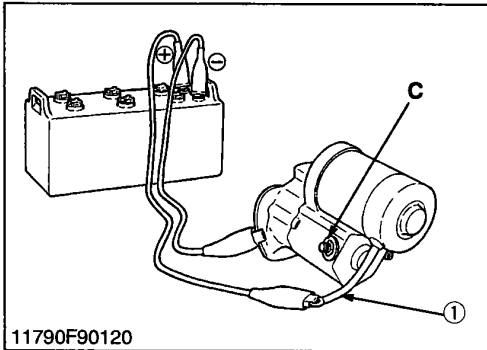
- | | |
|----------------------|--------------------------|
| (1) Nozzle Holder | (5) Distance Piece |
| (2) Adjusting Washer | (6) Nozzle Piece |
| (3) Nozzle Spring | (7) Nozzle Retaining Nut |
| (4) Push Rod | |

00000S10531

5 ELECTRICAL SYSTEM

CHECKING

[1] STARTER



Motor Test

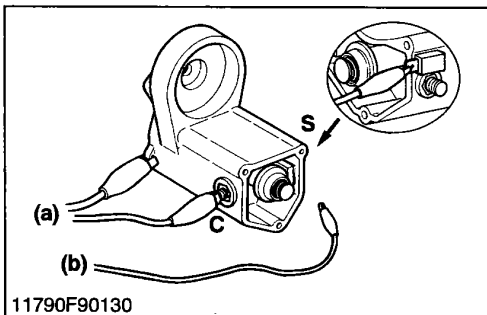
⚠ CAUTION

- **Secure the starter in a vise to prevent it from jumping up and down while testing the motor.**

1. Disconnect the ground cable clamp from the battery negative terminal post.
2. Disconnect the battery positive cable and the leads from the starter.
3. Remove the starter motor from the engine.
4. Disconnect the connecting lead (1) from the starter **C** terminal.
5. Connect a jumper lead from the connecting lead (1) to the battery positive terminal post.
6. Connect a jumper lead momentarily between the starter motor housing and the battery negative terminal post.
7. If the motor does not run, check the motor.

(1) Connecting Lead

11790S90180



Magnet Switch Test (Pull-in, Holding Coils)

1. Remove the motor from the starter housing.
2. Prepare a 6 V battery for the test.
3. Connect jumper leads from the battery negative terminal to the housing and the starter **C** terminal.
4. The plunger should be attached and the pinion gear should pop out when a jumper lead is connected from the battery positive terminal to the **S** terminal. It's a correct.
5. Disconnect the jumper lead to the starter **C** terminal. Then the pinion gear should remain popped out. It's a correct.

■ IMPORTANT

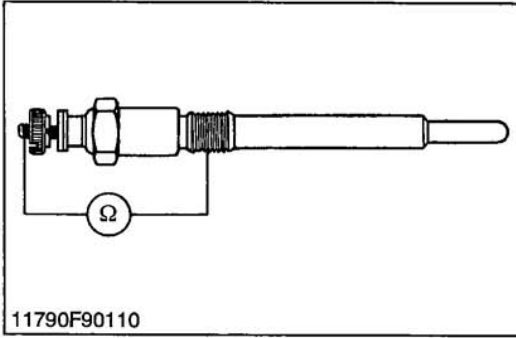
- **Testing time must be 3 to 5 sec.**

(a) To Negative Terminal

(b) To Positive Terminal

11790S90190

[2] GLOW PLUG



Glow Plug

1. Disconnect the leads from the glow plugs.
2. Measure the resistance with a circuit tester across the glow plug terminal and the housing.
3. If 0 ohm is indicated, the screw at the tip of the glow plug and the housing are short-circuited.
4. If the reference value is not indicated, the glow plug is faulty, replace the glow plug.

[S / No. 489290 and below]

Glow plug resistance	Factory spec.	Approx. 1.0 to 1.2 ohms
----------------------	---------------	-------------------------

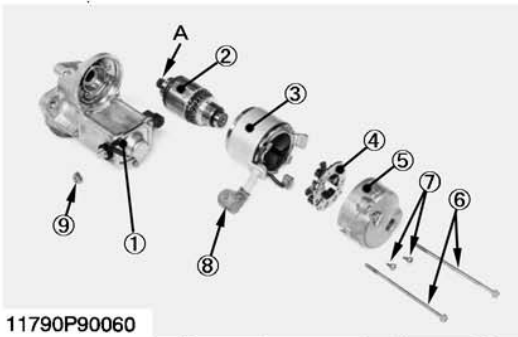
[S / No. 489291 and above]

Glow plug resistance	Factory spec.	Approx. 0.9 ohms
----------------------	---------------	------------------

11790S90161

DISASSEMBLING AND ASSEMBLING

[1] STARTER



Disassembling Motor

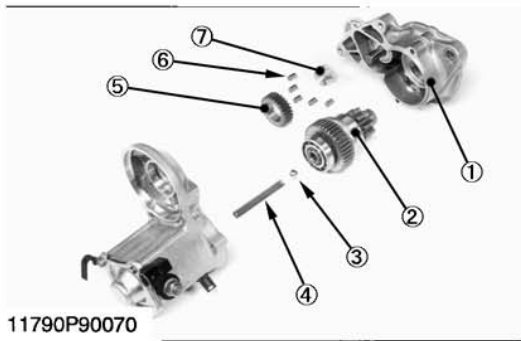
1. Disconnect the connecting lead (8) from the magnet switch (1).
2. Remove the through screws (6), and then separate the end frame (5), yoke (3) and armature (2).
3. Remove the two screws (7), and then take out the brush holder (4) from the end frame (5).

(When reassembling)

- Apply grease to the spline teeth (A) of the armature (2).

(1) Magnet Switch	(7) Screws
(2) Armature	(8) Connecting Lead
(3) Yoke	(9) Nut
(4) Brush Holder	
(5) End Frame	(A) Spline Teeth
(6) Screws	

11790S90200



Disassembling Magnet Switch

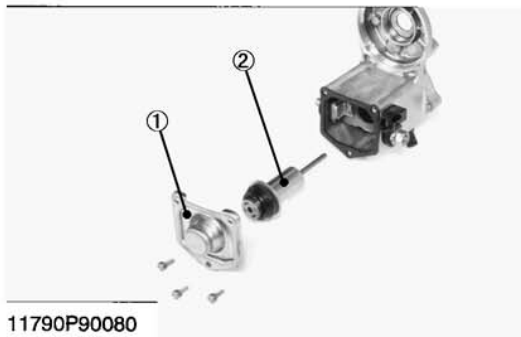
1. Remove the drive end frame (1) mounting screws.
2. Take out the over running clutch (2), ball (3), spring (4), gear (5), rollers (6) and retainer (7).

(When reassembling)

- Apply grease to the gear teeth of the gear (5) and over running clutch (2), and ball (3).

- | | |
|-------------------------|--------------|
| (1) Drive End Frame | (5) Gear |
| (2) Over Running Clutch | (6) Roller |
| (3) Ball | (7) Retainer |
| (4) Spring | |

11790S90210



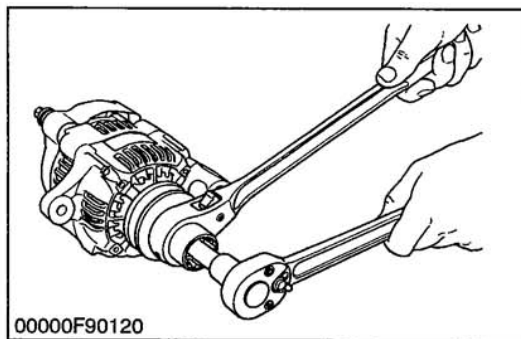
Plunger

1. Remove the end cover (1).
2. Take out the plunger (2).

- | | |
|---------------|-------------|
| (1) End Cover | (2) Plunger |
|---------------|-------------|

11790S90220

[2] ALTERNATOR



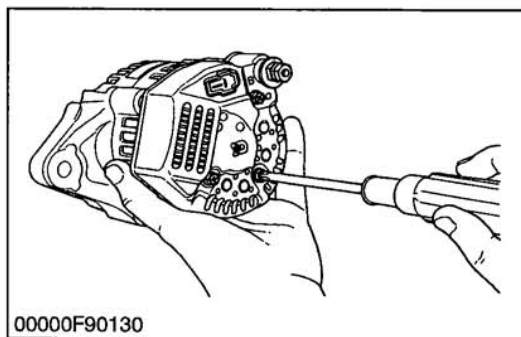
Pulley

1. Secure the hexagonal end of the pulley shaft with a double-ended ratchet wrench as shown in the figure, loosen the pulley nut with a socket wrench and remove it.

(When reassembling)

Tightening torque	Pulley nut	58.3 to 78.9 N·m
		5.95 to 8.05 kgf·m
		43.0 to 58.2 ft·lbs

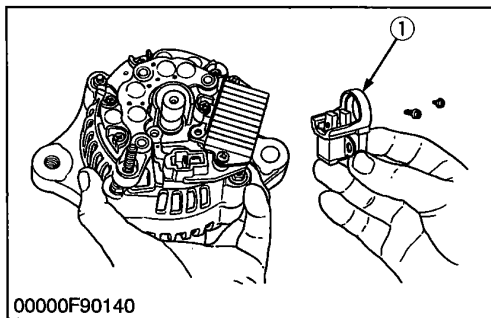
00000S90080



Rear End Cover

1. Unscrew the three rear end cover screws and the B terminal nut, and remove the rear end cover.

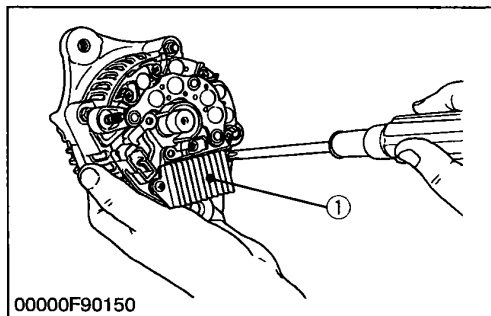
00000S90090

**Brush Holder**

1. Unscrew the two screws holding the brush holder, and remove the brush holder (1).

(1) Brush Holder

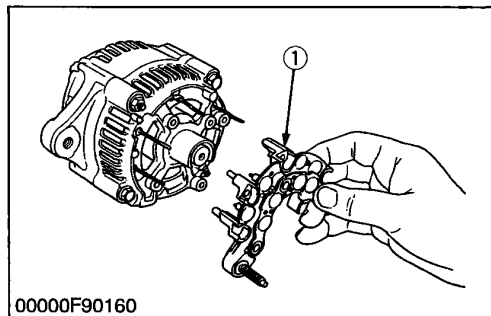
0000S90100

**IC Regulator**

1. Unscrew the three screws holding the IC regulator, and remove the IC regulator (1).

(1) IC Regulator

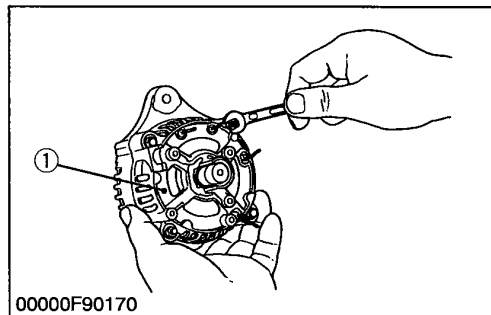
0000S90110

**Rectifier**

1. Remove the four screws holding the rectifier and the stator lead wires.
2. Remove the rectifier (1).

(1) Rectifier

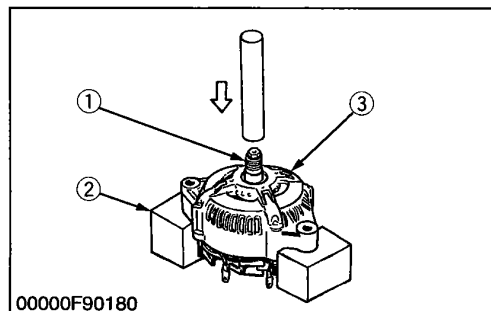
0000S90120

**Rear End Frame**

1. Unscrew the two nuts and two screws holding the drive end frame and the rear end frame.
2. Remove the rear end frame (1).

(1) Rear End Frame

0000S90130

**Rotor**

1. Press out the rotor (1) from drive end frame (3).

IMPORTANT

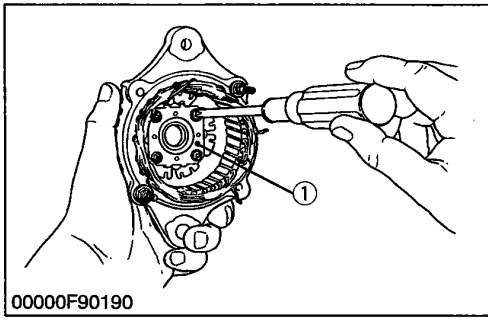
- Take special care not to drop the rotor and damage the slip ring or fan, etc.

(1) Rotor

(3) Drive End Frame

(2) Block

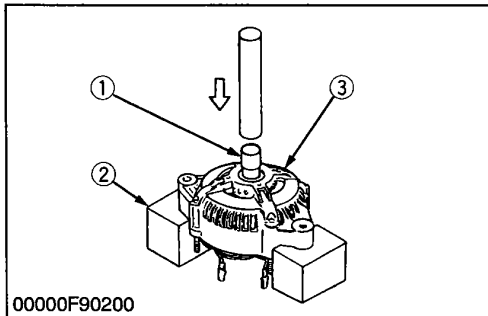
0000S90140

**Retainer Plate**

1. Unscrew the four screws holding the retainer plate, and remove the retainer plate (1).

(1) Retainer Plate

00000S90150

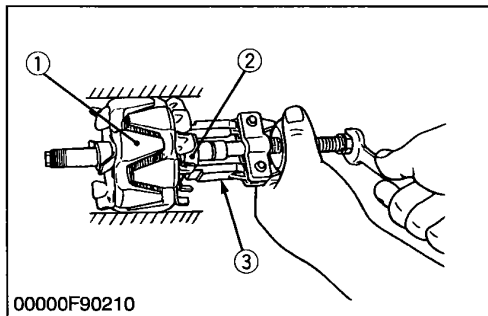
**Bearing on Drive End Side**

1. Press out the bearing from drive end frame (3) with a press and jig (1).

(1) Jig
(2) Block

(3) Drive End Frame

00000S90160

**Bearing at Slip Ring Side**

1. Lightly secure the rotor (1) with a vise to prevent damage, and remove the bearing (2) with a puller (3).

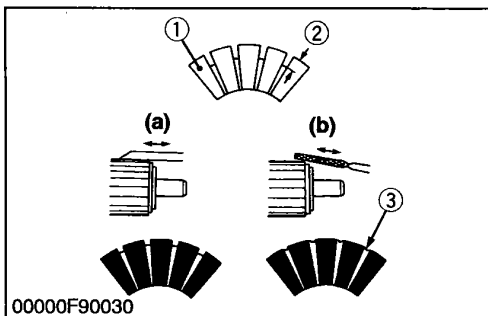
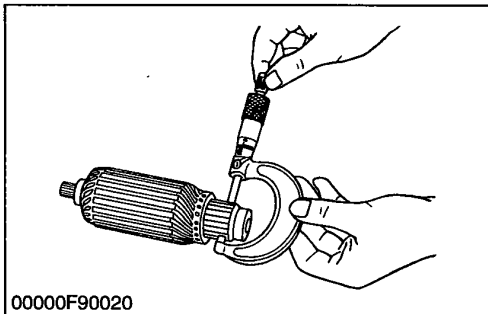
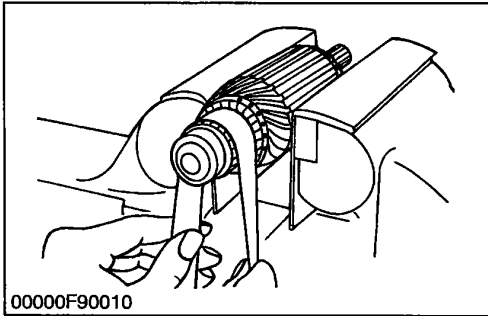
(1) Rotor
(2) Bearing

(3) Puller

00000S90170

SERVICING

[1] STARTER

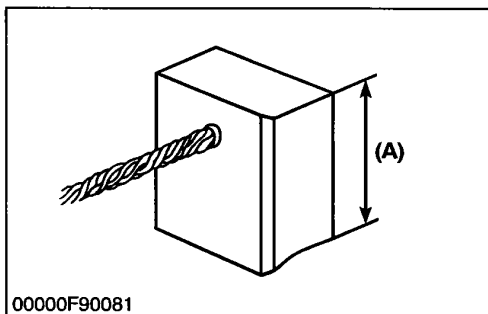


Commutator and Mica

1. Check the contact face of the commutator for wear, and grind the commutator with emery paper if it is slightly worn.
2. Measure the commutator O.D. with an outside micrometer at several points.
3. If the minimum O.D. is less than the allowable limit, replace the armature.
4. If the difference of the O.D.'s exceeds the allowable limit, correct the commutator on a lathe to the factory specification.
5. Measure the mica undercut.
6. If the undercut is less than the allowable limit, correct it with a saw blade and chamfer the segment edges.

- | | |
|-------------------|----------|
| (1) Segment | (a) Good |
| (2) Depth of Mica | (b) Bad |
| (3) Mica | |

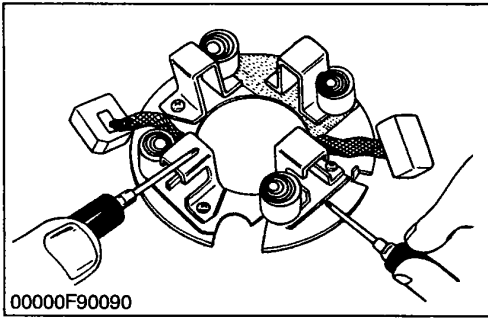
00000S90011



Brush Wear

1. If the contact face of the brush is dirty or dusty, clean it with emery paper.
2. Measure the brush length **(A)** with vernier calipers.
3. If the length is less than the allowable limit, replace the yoke assembly and brush holder.

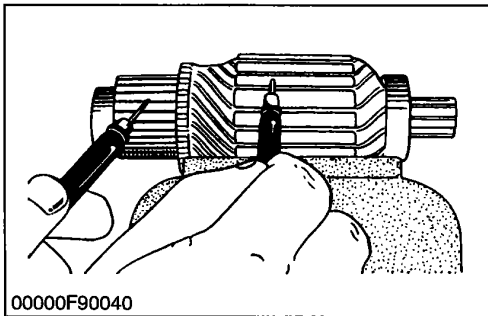
00000S90041



Brush Holder

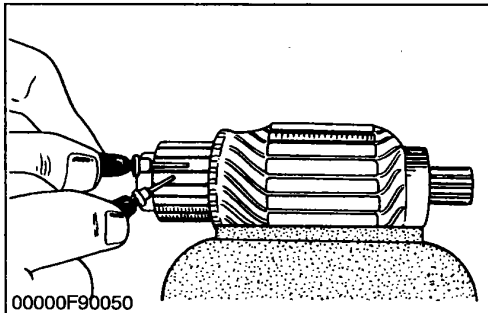
1. Check the continuity across the brush holder and the holder support with an ohmmeter.
2. If it conducts, replace the brush holder.

00000S90050

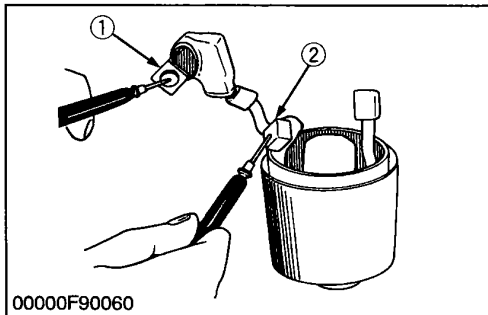


Armature Coil

1. Check the continuity across the commutator and armature coil core with an ohmmeter.
2. If it conducts, replace the armature.
3. Check the continuity across the segments of the commutator with an ohmmeter.
4. If it does not conduct, replace the armature.



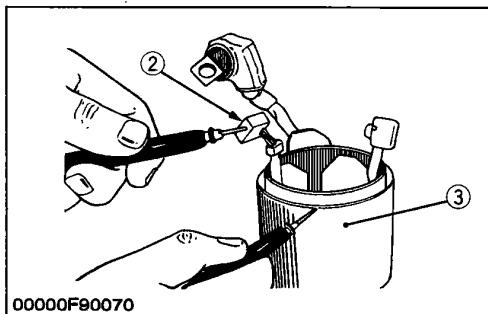
00000S90020



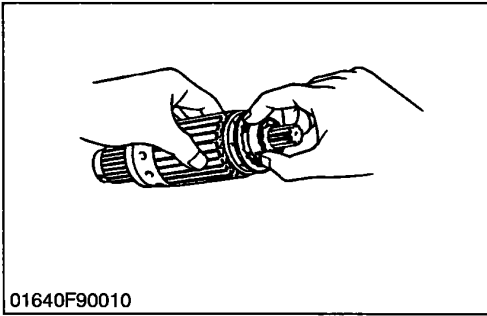
Field Coil

1. Check the continuity across the lead (1) and brush (2) with an ohmmeter.
2. If it does not conduct, replace the yoke assembly.
3. Check the continuity across the brush (2) and yoke (3) with an ohmmeter.
4. If it conducts, replace the yoke assembly.

- | | |
|-----------|----------|
| (1) Lead | (3) Yoke |
| (2) Brush | |

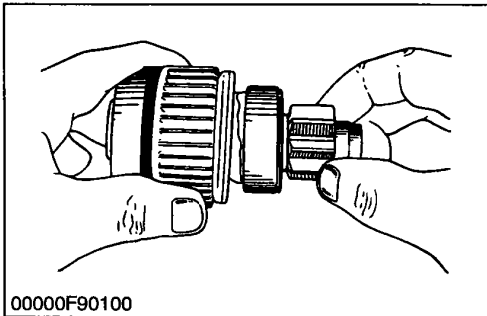


00000S90030

**Armature Bearing**

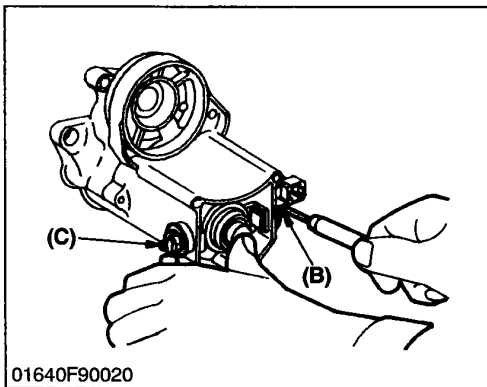
1. Check the bearing for smooth rotation.
2. If it does not smooth rotation, replace it.

01640S90010

**Overrunning Clutch**

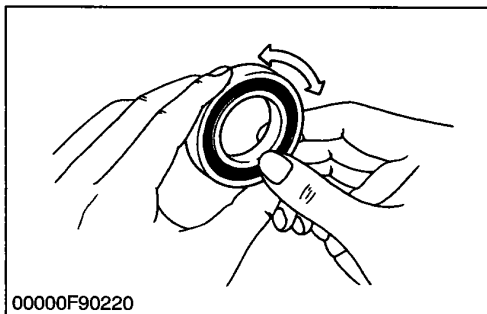
1. Inspect the pinion for wear or damage.
2. If there is any defect, replace the overrunning clutch assembly.
3. Check that the pinion turns freely and smoothly in the overrunning direction and does not slip in the cranking direction.
4. If the pinion slips or does not turn in the both directions, replace the overrunning clutch assembly.

00000S90060

**Magnet Switch**

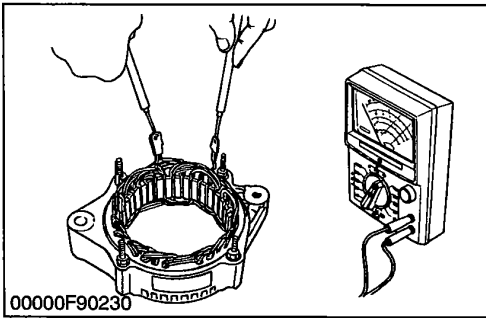
1. Check the continuity across the "C" terminal and the "B" terminal with an ohmmeter pushing the plunger.
2. If it does not conduct, check the contacts.

01640S90020

[2] ALTERNATOR**Bearing**

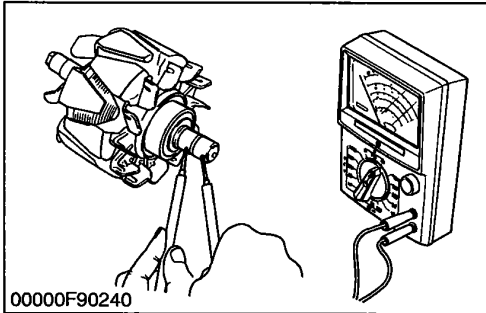
1. Check the bearing for smooth rotation.
2. If it does not rotate smoothly, replace it.

00000S90180

**Stator**

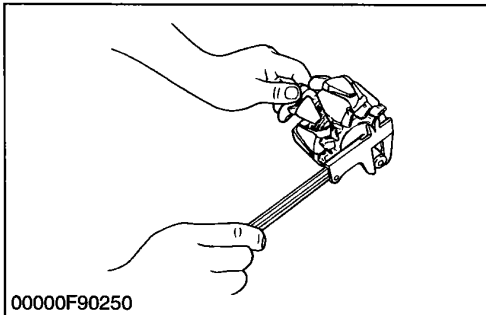
1. Measure the resistance across each lead of the stator coil with an ohmmeter.
2. If the measurement is not within factory specification, replace it.
3. Check the continuity across each stator coil lead and core with an ohmmeter.
4. If infinity is not indicated, replace it.

0000S90191

**Rotor**

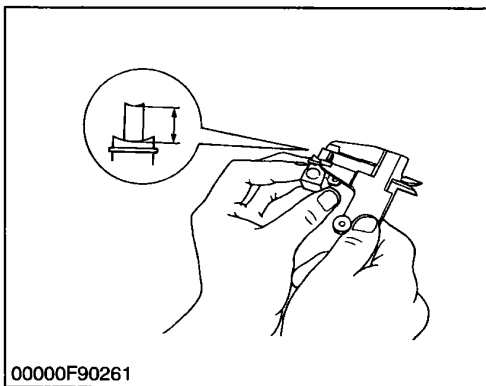
1. Measure the resistance across the slip rings.
2. If the resistance is not the factory specification, replace it.
3. Check the continuity across the slip ring and core with an ohmmeter.
4. If continuous, replace it.

0000S90201

**Slip Ring**

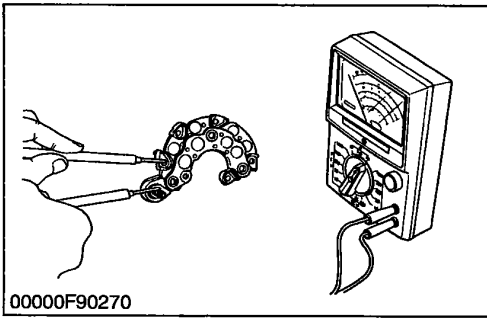
1. Check the slip ring for score.
2. If scored, correct with an sand paper or on a lathe.

01640S90030

**Brush Wear**

1. Check the length of the brush, if the length is shorter than the allowable limit, replace it.
2. Make sure that the brush moves smoothly.
3. If the brush is defective, replace it.

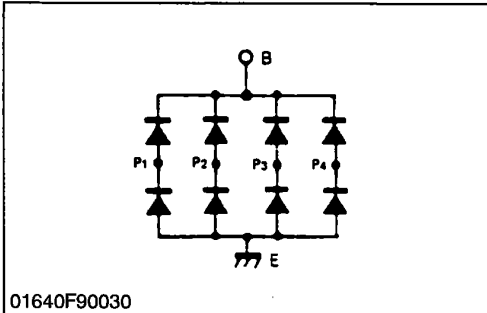
01640S90040



00000F90270

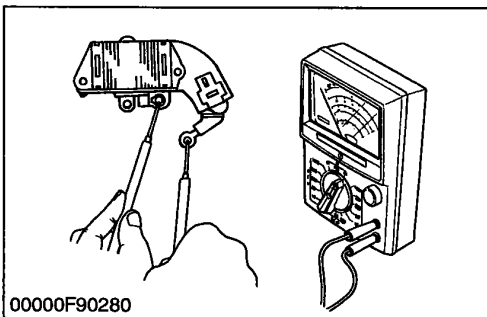
Rectifier

1. Check the continuity across each diode of rectifier with an ohmmeter.
2. The rectifier is normal if the diode in the rectifier conducts in one direction and does not conduct in the reverse direction.



01640F90030

01640S90050



00000F90280

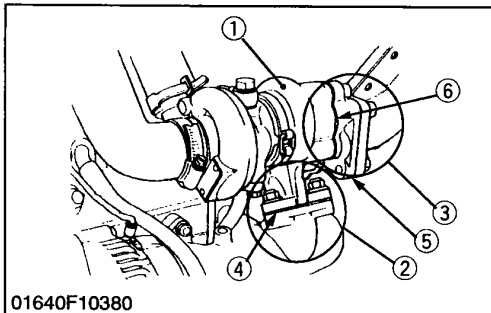
IC Regulator

1. Check the continuity across the "B" terminal and the "F" terminal of IC regulator with an ohmmeter.
2. The IC regulator is normal if the conducts in one direction and does not conduct in the reverse direction.

01640S90060

6 TURBO CHARGER SYSTEM

CHECKING

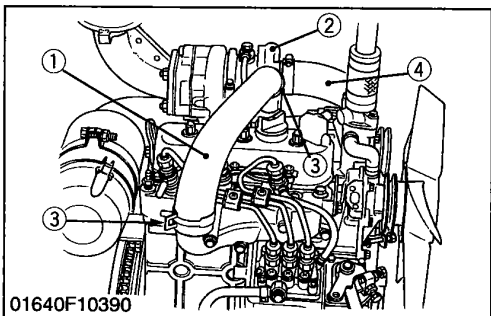


Turbine Side

1. Check the exhaust port (3) and inlet port (2) side of the turbine housing (1) to see if there is no exhaust gas leak.
2. If any gas leak is found, retighten the bolts and nuts or replace the gasket (4) / (5) / (6) with new one.

- | | |
|---------------------|------------|
| (1) Turbine Housing | (4) Gasket |
| (2) Inlet Port | (5) Gasket |
| (3) Exhaust Port | (6) Gasket |

01640S10810

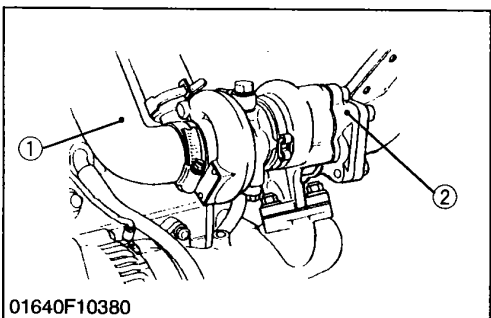


Compressor Side

1. Check the inlet pipe 1 (1) of the compressor cover (2) to see if there is no air leak.
2. Check for loose connections or cracks in the suction side of the intake pipe (4).
3. If any air leak is found, change the clamp (3) and or inlet pipes.

- | | |
|----------------------|-----------------|
| (1) Inlet Pipe 1 | (3) Clamp |
| (2) Compressor Cover | (4) Intake Pipe |

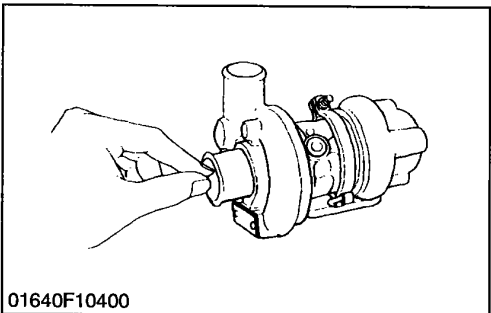
01640S10820



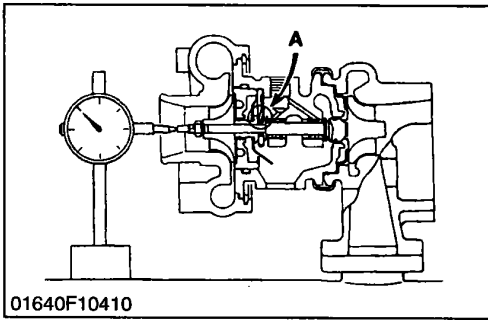
Wheel Shaft

1. Remove the intake pipe (1) and flange (2).
2. Turn the compressor wheel gently with a finger and check for contact.
3. If the wheel does not turn smoothly and / or found the damage, and abnormal sound, check the axial and radial clearance.
4. If the compressor / turbine wheel and housing is found to be damaged, replace the turbocharger assembly with new one.

- | | |
|-----------------|------------|
| (1) Intake Pipe | (2) Flange |
|-----------------|------------|



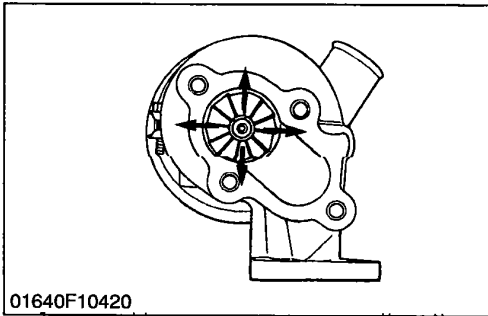
01640S10830



Axial Clearance

1. Set the dial gauge.
2. Move the shaft in the axial direction, and measure the end play.
3. If the end play (A) exceeds 0.12 mm (0.0047 in.), replace the turbocharger assembly with new one.

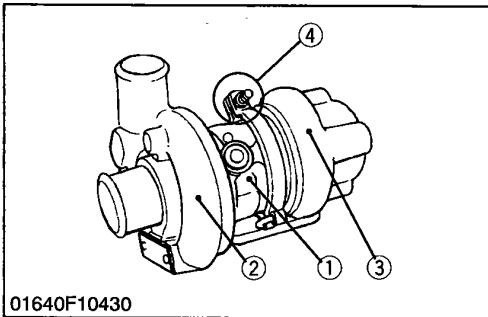
01640S10840



Radial Clearance

1. Move the compressor / turbine wheel (up and down / right and left).
2. If the wheel contact to the housing, replace the turbocharger assembly with new one.

01640S10850



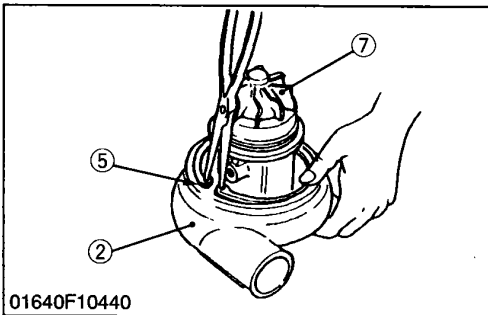
Turbine / Compressor Wheel

NOTE

- When carbon or oil adheres to the wheel remove the carbon or oil adheres with a brass brush or other soft tools.
- Do not scratch or damage the wheel with a brass brush or any other soft tools.
- Do not disassembling the compressor wheel and turbine shaft.
- After cleaning the compressor / turbine wheel, be sure to check the axial and radial clearance.

1. Parting marks must be marked on the bearing housing (1) and compressor (2) / turbine housing (3).
2. Remove the coupling (4) and turbine housing.
3. Remove the snap ring (5) and compressor housing (2).
4. Clean the compressor wheel (6) and turbine wheel (7) with a brass brush or other soft tools.

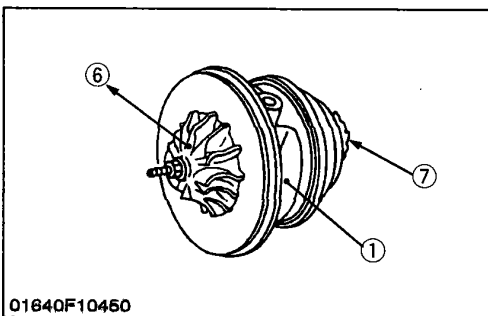
01640F10430



01640F10440

Tightening torque	Housing clamp bolt	1.47 to 2.45 N-m 0.15 to 0.25 kgf-m 1.09 to 1.91 ft-lbs
-------------------	--------------------	---

- | | |
|------------------------|------------------------|
| (1) Bearing Housing | (5) Snap Ring |
| (2) Compressor Housing | (6) Compressor / Wheel |
| (3) Turbine Housing | (7) Turbine Wheel |
| (4) Coupling | |



01640F10450

01640S10860

DISASSEMBLING AND ASSEMBLING

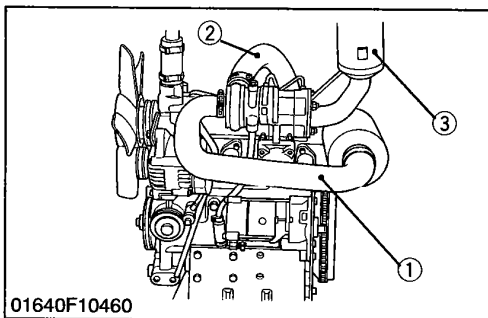
⚠ CAUTION

- While the engine is running and or just after it stops, the turbocharger is hot, be careful not to touch the turbocharger.

■ NOTE

- When detaching and attaching the turbocharger assembly, be very careful not to allow dust, dirt and other foreign matters in the oil pipes.
- When the turbocharger assembly has been replaced, pour fresh engine oil through the oil filter port of the turbocharger.
- Before starting the engine, make sure that the air cleaner is in position.

01640S10870



Air Cleaner and Muffler

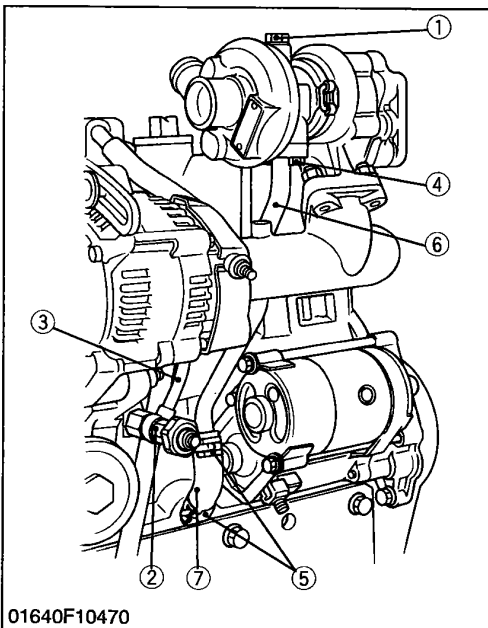
1. Remove the intake pipe (1).
2. Remove the inlet pipe 1 (2).
3. Remove the muffler (3).

(When reassembling)

- Replace the gaskets with new one.

- | | |
|------------------|-------------|
| (1) Intake Pipe | (3) Muffler |
| (2) Inlet Pipe 1 | |

01640S10880



Oil Pipe

1. Remove the joint bolt (2), (3) and take off the pipe 1 (4).
2. Remove the bolts (5) and release the clamp (6).
3. Disconnect the oil pipe 2 (7) and pipe 4 (8).

(When reassembling)

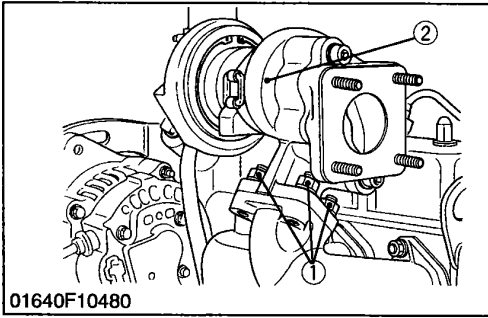
- Pour fresh engine oil through the oil filter port of the turbocharger.
- Replace the gaskets with new one.
- Be careful not to allow dust, dirt and other foreign matters in the oil pipes.

■ NOTE

- **Tape or plug all openings to prevent foreign matters from damaging the oil cavities in the turbocharger.**

- | | |
|----------------|----------------|
| (1) Joint Bolt | (5) Clamp |
| (2) Joint Bolt | (6) Oil Pipe 2 |
| (3) Oil Pipe 1 | (7) Oil Pipe 4 |
| (4) Bolt | |

01640S10890

**Turbocharger**

1. Remove the bolt (1).
2. Take off the turbocharger assemble (2).

(When reassembling)

- Replace the gasket with new one.

(1) Bolt

(2) Turbocharger Assemble

01640S10900