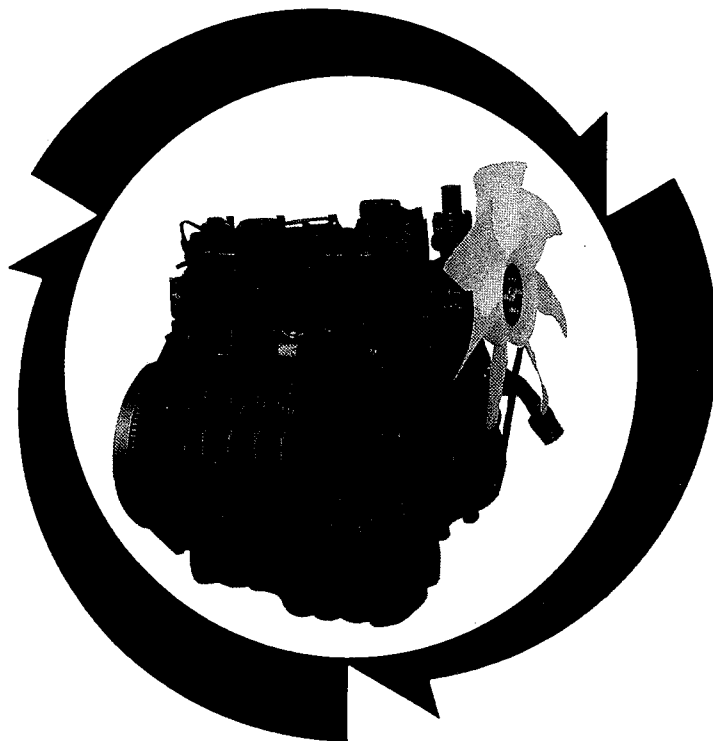


# ILLUSTRATED PARTS LIST

# KUBOTA

MODEL V1505-EB-FISHER-1  
V1505-B-FISHER-1

# DIESEL ENGINE



**Kubota**

97898-54990  
SEPT. 2000

## NOTICE

This Parts List is for the following purposes.

1. When ordering parts, check with this Parts List to confirm the part number and the name of parts.
2. When making repairs, refer to the illustrations in this Parts List.
3. This Parts List is subject to change without notice.

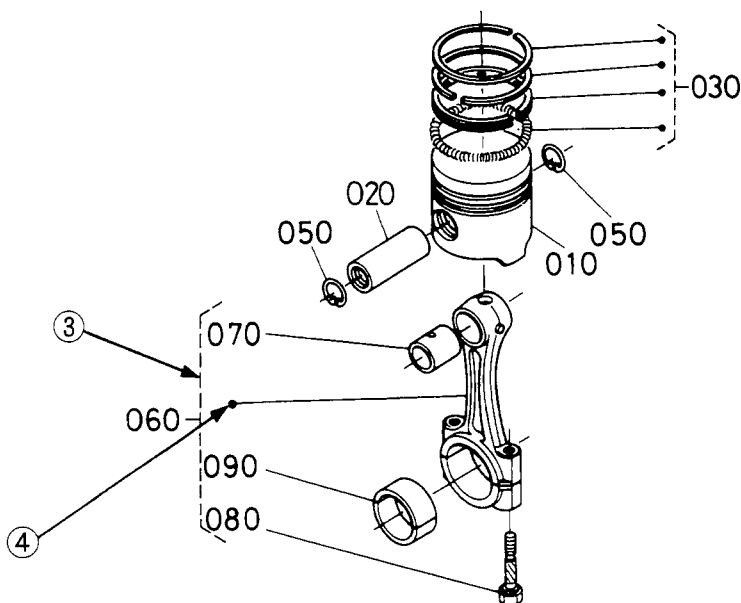
ENGINE	
MODEL	CODE No.
V1505-EB-FISHER-1	1G645-26000
V1505-B-FISHER-1	16616-16000

# INSTRUCTIONS

①  
↓  
**0102** PISTON AND CRANKSHAFT


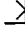

⑪                      ②  
↓                              ↓  
[ B ]                      **B02-R**

⑩ → S.No. ; A: ≤15000, B: 14000 to 15000



REF. No	PART No.	PART NAME	Q'TY/S.No.		I.C.	REMARKS
			A	B		
010	15800-0000-0	PISTON	1 ~15000	1 ~15000	↔	[Example-1]
010	15800-0000-2	PISTON	1 15001~	1 15001~	↔	
020	15800-1000-0	PIN,PISTON	1 ~15000	1 ~15000	↔	[Example-2]
020	15800-1000-2	PIN,PISTON	1 15001~	1 15001~	↔	
030	15800-2000-0	ASSY PISTON RING	1 ~15000	1 ~15000	↔	
030	15830-2000-0	ASSY PISTON RING	1 15001~	1 15001~	↔	[Example-3]

A:XXXXX, B:XXXXX

- ① Fig. No. .... Represents No. corresponding to each group name.
- ② L. No. .... Substitute for conventional page numbering. Left-hand pages of the parts list are numbered in **XXX-L**, and the right-hand pages in **XXX-R**.  
(Location No.)  
The location No. are also used in numerical index at the end of parts list.
- ③ Components ..... The components of an assembly are identified by a bracket of dotted lines.
- ④ Point ..... Indicates that the parts is not sold independently.  
The assembly (Ref.No.060) containing the part needs to be ordered.
- ⑤ REF. No. .... Reference numbers are assigned to parts in the illustration. The code number of a part in the illustration can be identified by referring to the same reference number in the parts list.
- ⑥ Model name ..... The name of the basic model is indicated in this column. Other applicable models are indicated on the "REMARKS" column ⑨.
- ⑦ S. No. .... Indicates a group of serial numbers to which a design change is applied.  
(serial No.)
- ⑧ J. C. .... Indicates the interchangeability of parts due to design change.  
(interchangeability)
- Example-1 .....  indicates that a new part can replace an old part, but not vice versa.  
15800-0000-0 is applicable to the first serial number to S. No. 15000.  
15800-0000-2 is applicable to the first serial number and above.
- Example-2 .....  indicates that the new and old parts are not interchangeable.  
15800-1000-0 is applicable to the first serial number to S. No. 15000.  
15800-1000-2 is applicable to S. No. 15001 and above.
- Example-3 .....  indicates that the new and old parts are interchangeable.  
Both 15800-2000-0 and 15830-2000-0 are applicable to the first serial number and above.
- ⑨ REMARKS 1 ..... In this column, enter other applicable model names, dimensions and other special items.  
The following symbols and abbreviations are used throughout this book.  
29\*12.00-15 .... Tire size  
sq.m .... m<sup>2</sup>    sq.mm .... mm<sup>2</sup>  
cu.m .... m<sup>3</sup>    cu.mm .... mm<sup>3</sup>  
D .... Diameter    L .... Length
- ⑩ REMARKS 2 ..... The following expressions are used in NOTE for each group.  
Machines' serial numbers are indicated as follows.  
<=15000 .... Serial number below 15000.  
>=15001 .... Serial number above 15001.  
14000 to 15000 .... Serial number 14000 to 15000.  
For some models, the above expressions may also be used REMARKS 1 ⑨.
- ⑪ Specifications ..... The types and destinations of sister models are indicated. These indications are given to tell their relevant pages in this book.  
(for sister models)

# CONTENTS

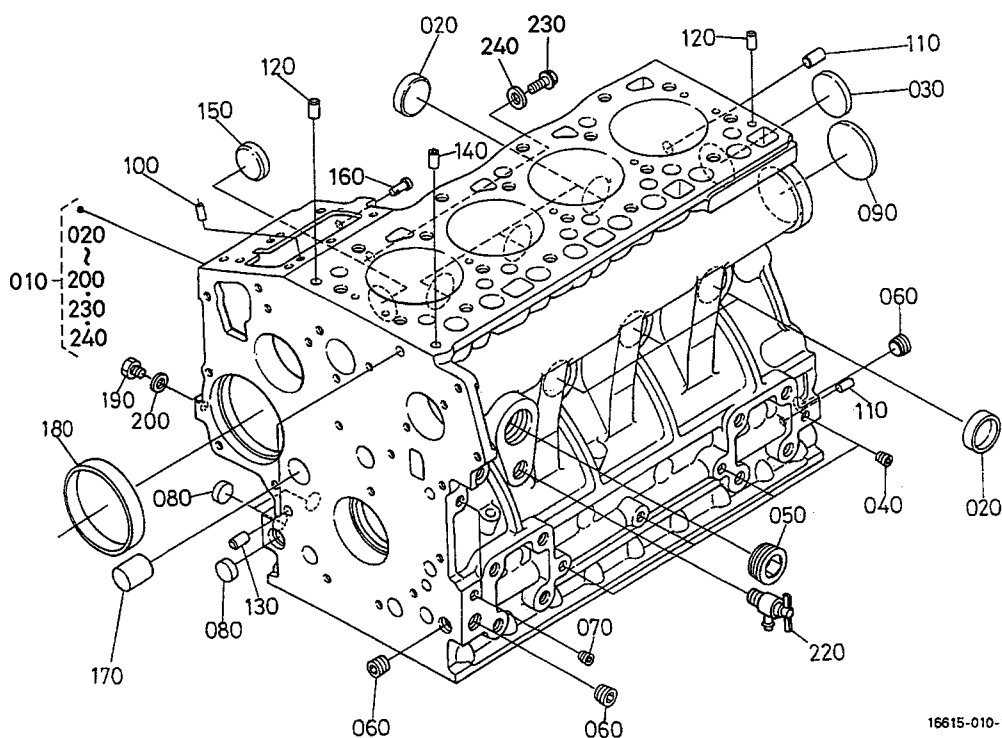
---

[V1505-EB-FISHER-1, V1505-B-FISHER-1]

0001	CRANKCASE.....	B01-L
0002	OIL PAN.....	B01-R
0003	CYLINDER HEAD.....	B02-L
0004	GEAR CASE.....	B02-R
0005	HEAD COVER.....	B03-L
0006	OIL FILTER.....	B03-R
0007	DIPSTICK AND GUIDE.....	B04-L
0100	MAIN BEARING CASE.....	B04-R
0101	CAMSHAFT AND IDLE GEAR SHAFT.....	B05-L
0102	PISTON AND CRANKSHAFT.....	B05-R
0103	FLYWHEEL.....	B06-R
0105	FUEL CAMSHAFT AND GOVERNOR SHAFT.....	B07-L
020001	IDLE APPARATUS.....	B07-R
020002	IDLE APPARATUS.....	B08-L
0201	STOP SOLENOID.....	B08-R
0202	INJECTION PUMP.....	B09-L
0203	INJECTION PUMP (COMPONENT PARTS).....	B09-R
0204	GOVERNOR.....	B10-L
0205	SPEED CONTROL PLATE.....	B10-R
0206	NOZZLE HOLDER AND GLOW PLUG.....	B11-L
0207	NOZZLE HOLDER (COMPONENT PARTS).....	B11-R
0300	FUEL FILTER.....	B12-L
0301	FUEL PUMP (MECHANICAL).....	B12-R
0302	FUEL PUMP (ELECTRICAL).....	B13-L
0402	ALTERNATOR AND PULLEY.....	B13-R
0403	ALTERNATOR (COMPONENT PARTS).....	B14-L
0404	STARTER.....	B14-R
0405	STARTER (COMPONENT PARTS).....	B15-L
0406	OIL SWITCH/THERMOMETER AND PLUG.....	B15-R
0500	WATER FLANGE AND THERMOSTAT.....	B16-L
0501	WATER PUMP.....	B16-R
0502	RADIATOR.....	C01-L
0503	WATER PIPE.....	C01-R
0504	FAN.....	C02-L
0505	RESERVE TANK.....	C02-R
0600	VALVE AND ROCKER ARM.....	C03-L
0601	INLET MANIFOLD.....	C03-R
0602	EXHAUST MANIFOLD.....	C04-L
0603	AIR CLEANER.....	C04-R
0604	INLET PIPE.....	C05-L
0700	HYDRAULIC PUMP.....	C05-R
0801	STARTER SWITCH.....	C06-L
0803	PULLEY SHAFT (STUB SHAFT).....	C06-R
0808	ACCESSORIES AND SERVICE PARTS.....	C07-L
0809	LABEL AND OPERATOR'S MANUAL.....	C07-R
■	NUMERICAL INDEX.....	D01-L

# 0001 CRANKCASE

#NOTE: ORDER BY REF. No. 010 NEW PART and Fig. No. 0007 REF. No. 050



210 15221-3370-0



16615-010-16

16615-800-20

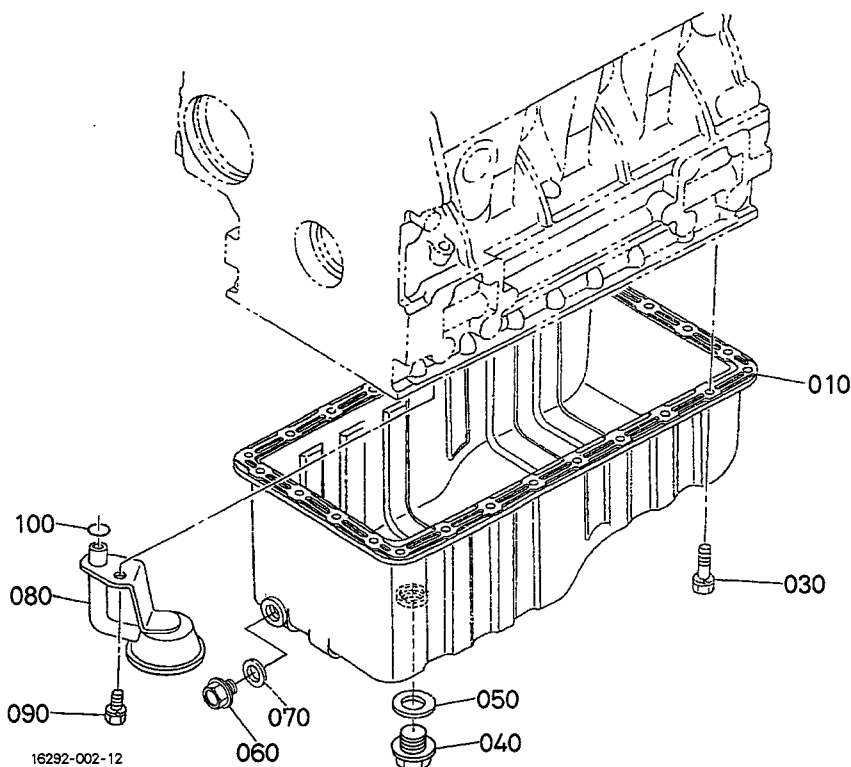
A:V1505-EB-FISHER-1 B:V1505-B-FISHER-1

REF. No.	PART No.	PART NAME	Q' TY/S. No.		I. C.	REMARKS
			A	B		
010	16626-0101-4	COMP. CRANKCASE	≤1F1320	≤1F1320		
010	16626-0101-5	COMP. CRANKCASE	≥160001	≥160001	←	
010	16626-0101-6	COMP. CRANKCASE	≥2E0004	≥2E0004	←	# NOT SALE, SEE NOTE
010	16626-0101-7	COMP. CRANKCASE	≥3L0007	≥3L0007	←	# NOT SALE, SEE NOTE
010	16626-0101-8	COMP. CRANKCASE	≥3N0007	≥3N0007	←	# NOT SALE, SEE NOTE
010	1E024-0101-7	COMP. CRANKCASE	≥5A0001	≥5A0001	≠	#
020	15451-9627-0	CAP, SEALING	6	6		
030	15221-0349-0	CAP, SEALING	1	1		
040	15261-9601-0	PLUG	4	4		
050	16683-9602-0	PLUG	1	1		
060	16241-9601-0	PLUG	3	3		
070	15521-9602-0	PLUG	2	2		
080	17391-9616-0	PLUG, EXPANSION	3	3		
090	16271-9616-0	PLUG, EXPANSION	1	1		
100	16225-9451-0	PIN, STRAIGHT	2 ≤3M1525	2 ≤3M1525		
100	05012-00508	PIN, STRAIGHT	2 ≥3N0007	2 ≥3N0007	↔	
110	16221-9453-0	PIN, STRAIGHT	2 ≤3M1525	2 ≤3M1525		
110	05012-00814	PIN, STRAIGHT	2 ≥3N0007	2 ≥3N0007	↔	
120	16221-9452-0	PIN, STRAIGHT	2	2		
130	15231-3396-0	PIN, PIPE	2	2		
140	16241-3365-0	PIN, PIPE	1	1		
150	16241-9626-2	PLUG	1	1		
160	16221-5628-0	PIN, START SPRING	1	1		
170	16282-9601-0	PLUG	1	1		
180	16271-5535-0	BUSH, GOVERNOR GEAR	1	1		
190	15221-3361-0	PLUG	1	1		
200	15021-3366-0	GASKET	1	1		
210	15221-3370-0	O RING	1 ≤4A9508	1 ≤4A9508		
220	15841-7302-0	ASSY COCK, DRAIN	1	1		
230	01754-50610	BOLT, FLANGE	1 ≥3L0007	1 ≥3L0007	#	

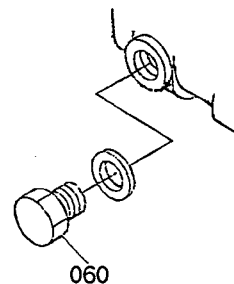
↔ Interchangeable; ≠ not interchangeable; ← new for old; → old for new



# 0002 OIL PAN



060 15221-3375-0



16292-002-12

1G645-823-10

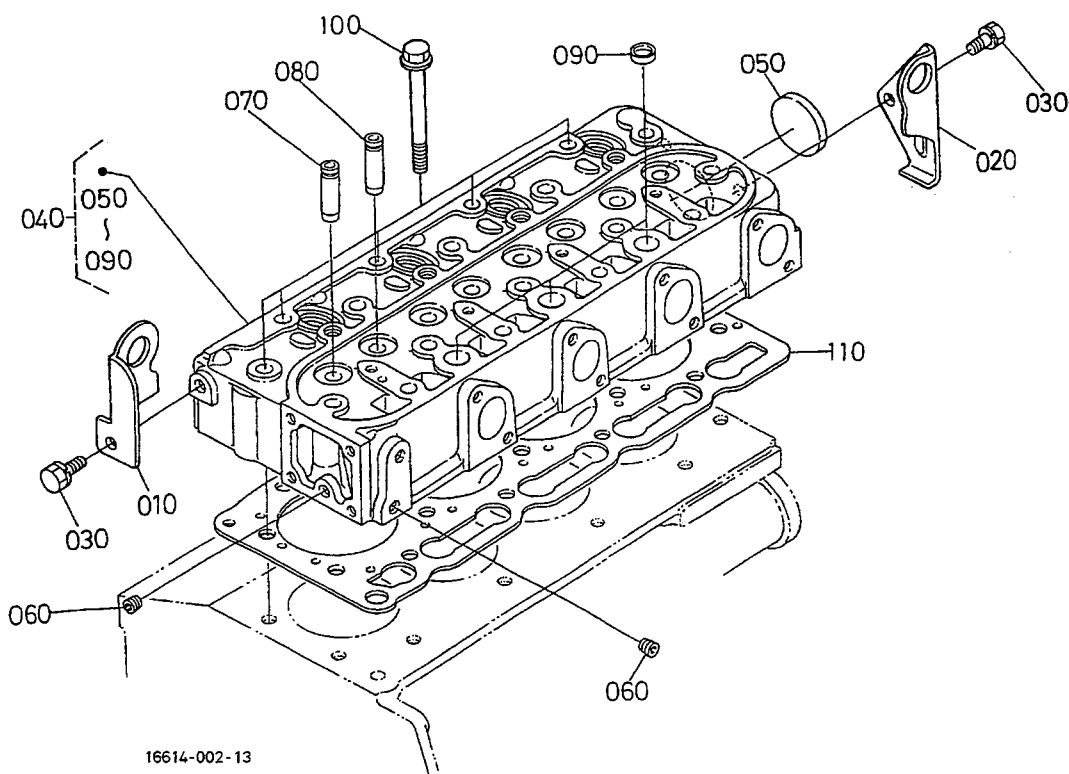
A:V1505-EB-FISHER-1 B:V1505-B-FISHER-1

REF. No.	PART No.	PART NAME	Q' TY/S. No.		I. C.	REMARKS
			A	B		
010	16616-0150-0	COMP. OIL PAN	1	1		
020	---	BLANK	-	-		
030	01023-50612	BOLT	26 ≤2V0293	26 ≤2V0293	#	
030	16221-9112-0	BOLT	26 ≥2W0003	26 ≥2W0003	≠ #	
040	16286-3375-0	PLUG, DRAIN	1	1		
050	15451-9667-0	GASKET	1	1		
060	15221-3375-0	PLUG	1 ≤4J8648	1 ≤4J8648	#	
060	16326-3375-0	PLUG, DRAIN	1 ≥4L0001	1 ≥4L0001	↔ #	
070	6C090-5896-0	GASKET	1	1		
080	16226-3211-0	FILTER, OIL	1	1		
090	01123-60816	BOLT	1	1		
100	04814-00160	O RING	1	1		

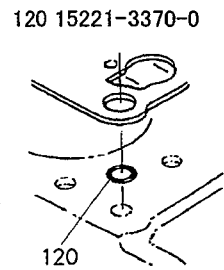
↔ Interchangeable; ≠ not interchangeable; ← new for old; → old for new



# 0003 CYLINDER HEAD



16614-002-13



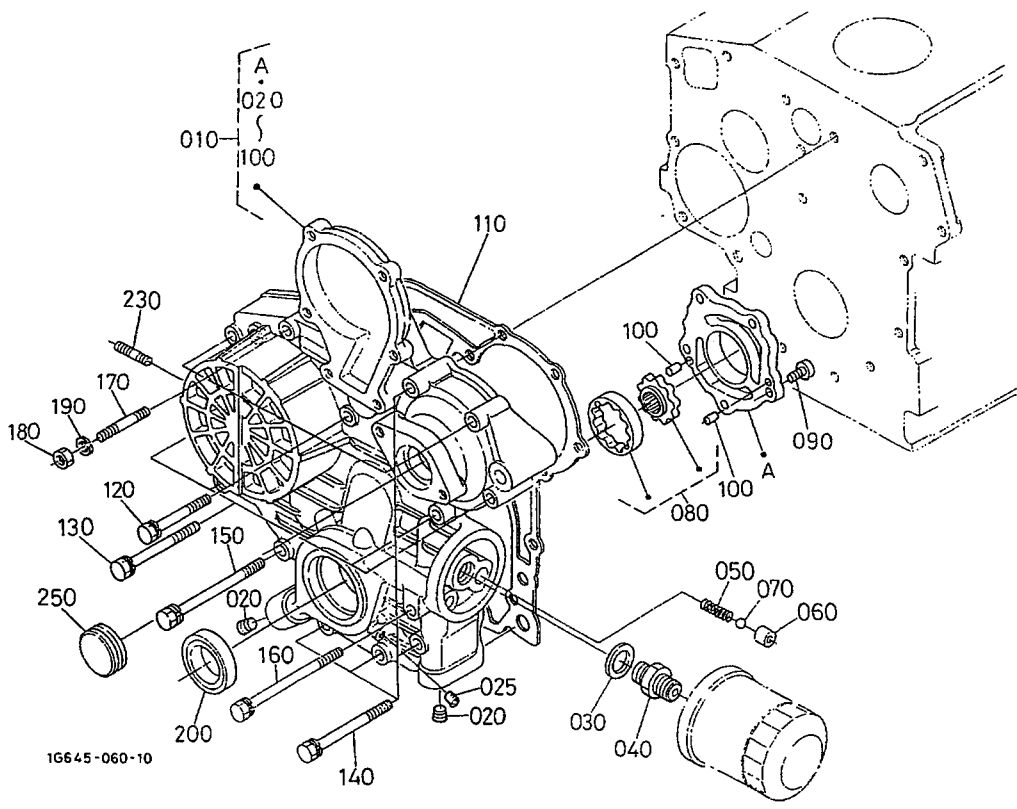
16614-802-10

A:V1505-EB-FISHER-1 B:V1505-B-FISHER-1

REF. No.	PART No.	PART NAME	Q' TY/S. No.		I. C.	REMARKS
			A	B		
010	16241-0175-0	HOOK, ENGINE	1	1		
020	16241-0177-0	HOOK, ENGINE	1	1		
030	01123-60814	BOLT	2	2		
040	16060-0304-2	COMP. CYLINDER HEAD	1	1		
050	15321-9626-0	CAP, SEALING	1	1		
060	15261-9601-0	PLUG	2	2		
070	16241-1354-0	GUIDE, INLET VALVE	4 ≤3Q9649	4 ≤3Q9649		#
070	16261-1354-0	GUIDE, INLET VALVE	4 ≥3S0001	4 ≥3S0001	↔	#
080	16241-1356-0	GUIDE, EXHAUST VALVE	4 ≤3Q9649	4 ≤3Q9649		#
080	16261-1356-0	GUIDE, EXHAUST VALVE	4 ≥3S0001	4 ≥3S0001	↔	#
090	15261-0337-0	CAP, SEALING	3	3		
100	16241-0345-0	BOLT, CYLINDER HEAD	18	18		
110	16292-0331-0	GASKET, CYLINDER HEAD	1 ≤4A9508	1 ≤4A9508		#
110	16394-0331-0	GASKET, CYLINDER HEAD	1 ≥4C0001	1 ≥4C0001	≠	#
120	15221-3370-0	O RING	1 ≤4A9508	1 ≤4A9508		#

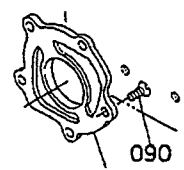
↔ Interchangeable; ≠ not interchangeable; ← new for old; → old for new

# 0004 GEAR CASE

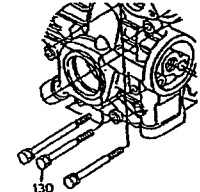


1G645-060-10

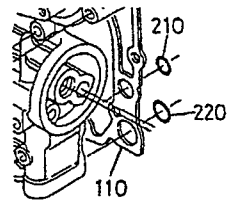
085 16241-3513-0  
090 16241-9312-0



130 01023-60650



110 16264-0413-0  
210 04814-06100  
220 04814-00150



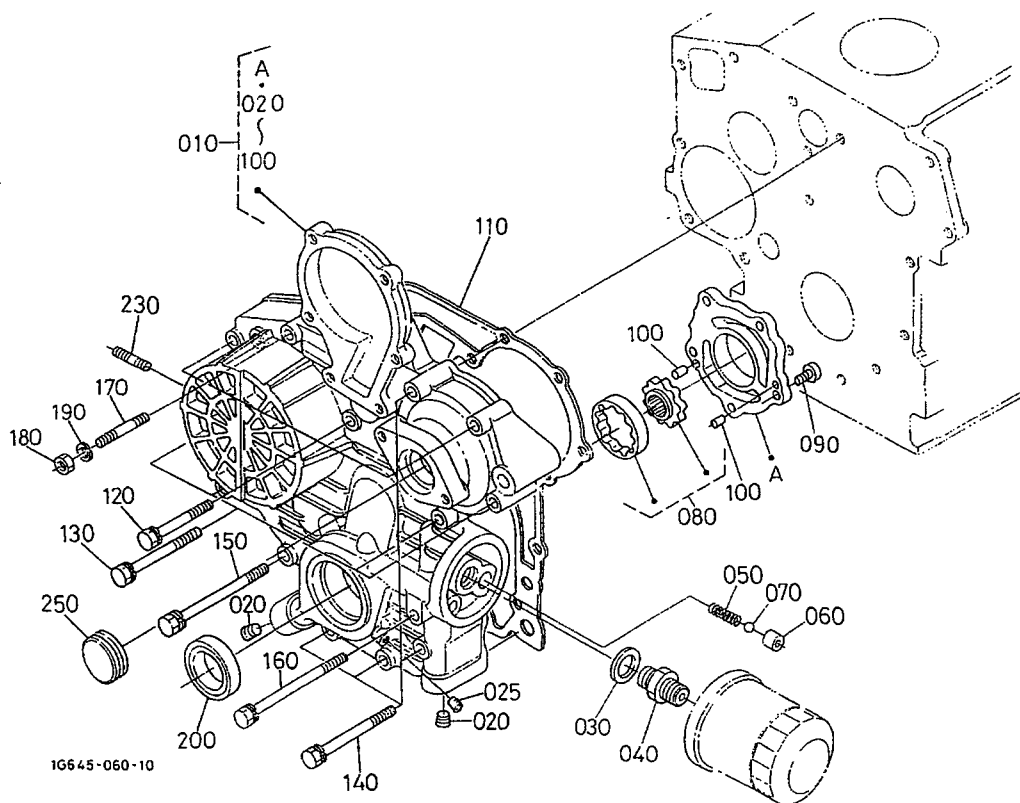
1G645-812-10

A:V1505-EB-FISHER-1 B:V1505-B-FISHER-1

REF. No.	PART No.	PART NAME	Q' TY/S. No.		I. C.	REMARKS
			A	B		
010	16271-0402-0	COMP. CASE, GEAR	1	1		
010	16271-0402-5	COMP. CASE, GEAR	≤1S7639	≤1S7639		
010	16251-0402-7	COMP. CASE, GEAR	≥1W0007	≥1W0007	≠	
010	16252-0402-0	COMP. CASE, GEAR	≥1W0006	≥1W0006	≠	
020	16241-9602-0	PLUG	≥5E0001	≥5E0001	↔ #	
025	15521-9602-0	PLUG	2	2		
030	04011-50180	WASHER, PLAIN	≥1W0006	≥1W0006		
040	15241-3229-0	JOINT, PIPE	1	1		
050	16241-3695-0	SPRING	1	1		
060	16241-3693-0	SEAT, VALVE	1	1		
070	07715-00201	BALL	1	1		
080	16241-3507-0	ASSY ROTOR, OIL PUMP	1	1		
085	16241-3513-0	COVER, OIL PUMP	1	1		
090	16241-9312-0	SCREW, CSK-HD	≤1U7903	≤1U7903		
090	03017-50620	SCREW, CR-REC-BD-HD	5	5	≠	
100	05012-00410	PIN, STRAIGHT	≥1W0006	≥1W0006		
110	16264-0413-0	GASKET, GEAR CASE	1	1		
110	16264-0413-2	GASKET, GEAR CASE	≤1S7639	≤1S7639		
120	01023-50645	BOLT	≥1W0007	≥1W0007	≠	
130	01023-60650	BOLT	3	3		
130	01023-60650	BOLT	6	6		
130	01023-60650	BOLT	≤1U7903	≤1U7903		
140	01023-50655	BOLT	4	4		
140	01023-50655	BOLT	≥1W0006	≥1W0006		
140	01023-50655	BOLT	2	2		
140	01023-50655	BOLT	≤1U7903	≤1U7903		
140	01023-50655	BOLT	4	4		
150	15841-9104-0	BOLT	≥1W0006	≥1W0006		
150	01023-50665	BOLT	1	1		
150	01023-50665	BOLT	≤1U7903	≤1U7903		
150	01023-50665	BOLT	≥1W0006	≥1W0006	←	
160	16241-9104-0	BOLT	1	1		
170	16245-9153-0	STUD	1	1		
180	02056-50060	NUT	1	1		
190	04512-60060	WASHER, SPRING	1	1		
200	16241-0421-2	SEAL, OIL	1	1		

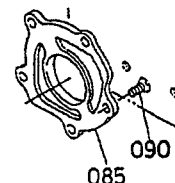
↔ Interchangeable; ≠ not interchangeable; ← new for old; → old for new

# 0004 GEAR CASE

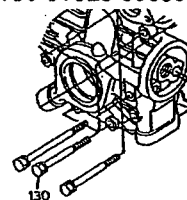


1G645-060-10

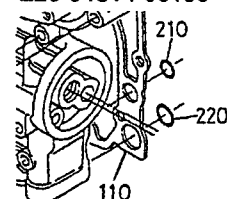
085 16241-3513-0  
090 16241-9312-0



130 01023-60650



110 16264-0413-0  
210 04814-06100  
220 04814-00150



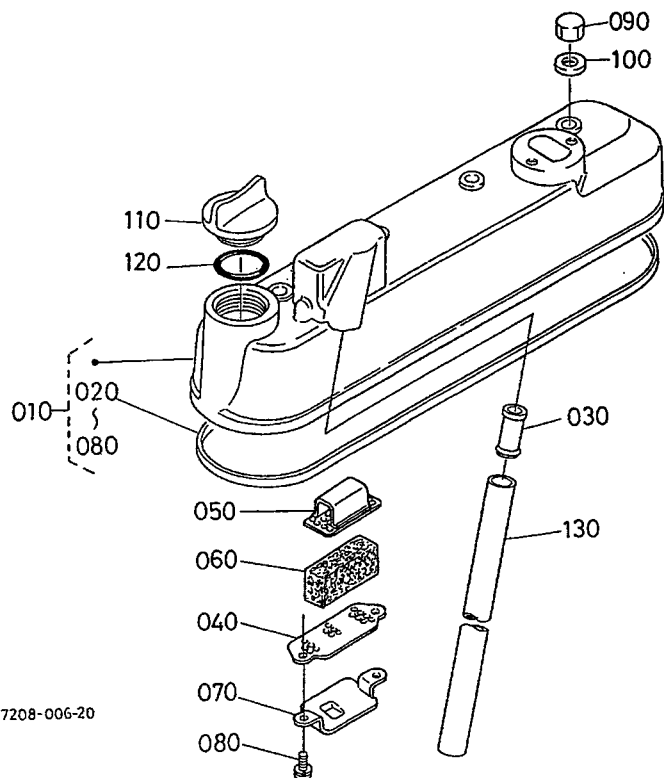
1G645-812-10

A:V1505-EB-FISHER-1 B:V1505-B-FISHER-1

REF. No.	PART No.	PART NAME	Q' TY/S. No.		I. C.	REMARKS
			A	B		
210	04814-06100	O RING	2 ≤1S7639	2 ≤1S7639		
220	04814-00150	O RING	2 ≤1S7639	2 ≤1S7639		
230	16245-9154-0	STUD	2	2		
240	---	BLANK	-	-		
250	16264-8334-2	COVER, GEAR CASE	1	1		

↔ Interchangeable; ≠ not interchangeable; ← new for old; → old for new

0005 HEAD COVER

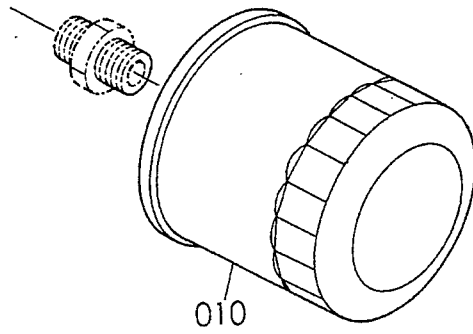


17208-006-20

A:V1505-EB-FISHER-1 B:V1505-B-FISHER-1

REF. No.	PART No.	PART NAME	Q' TY/S. No.		I. C.	REMARKS
			A	B		
010	16241-1450-0	ASSY COVER, CYL. HEAD	1	1		
020	16241-1452-0	GASKET, HEAD COVER	1	1		
030	16241-0555-0	JOINT, BREATHER PIPE	1	1		
040	16241-0514-0	PLATE, B/THER ELEMENT	1	1		
050	16241-0515-0	PLATE, B/THER ELEMENT	1	1		
060	16241-0567-0	ELEMENT, BREATHER	1	1		
070	16241-0537-0	OIL SHIELD, BREATHER	1	1		
080	03024-50510	SCREW, WITH WASHER	2	2		
090	15952-9233-0	NUT	4	4		
100	15951-9666-0	GASKET	4	4		
110	15852-3314-0	PLUG, OIL FILLER	1 ≤2K0898	1 ≤2K0898		#
110	E9151-3314-0	PLUG, OIL FILLER	1 ≥2L0006	1 ≥2L0006	↔	#
120	04814-50300	O RING	1	1		
130	16241-0551-0	PIPE, BREATHER	1	1		

↔ Interchangeable; ≠ not interchangeable; ← new for old; → old for new

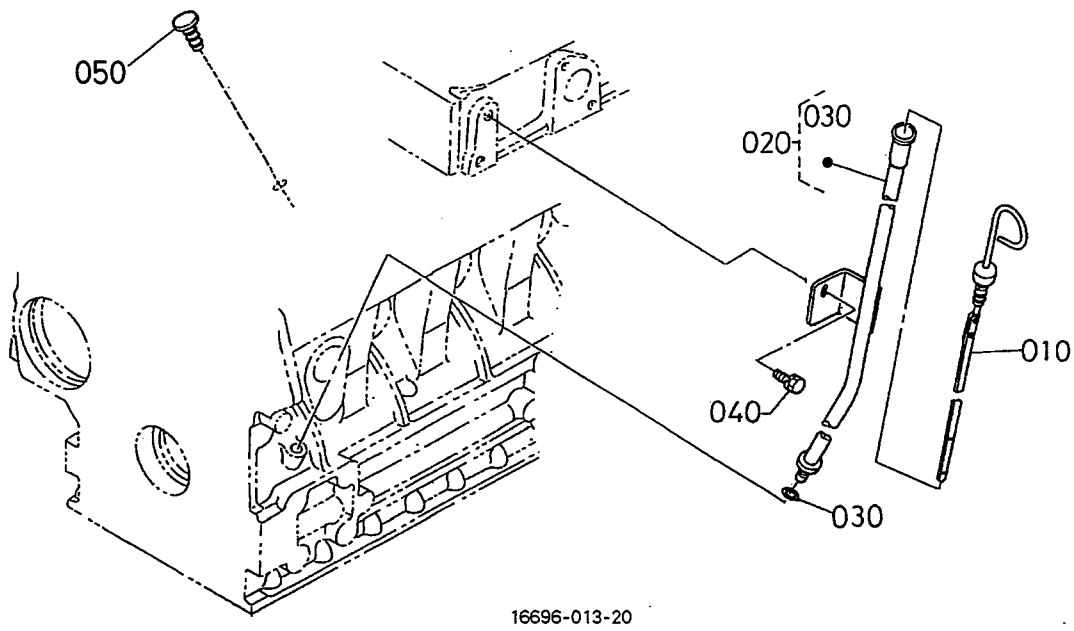


16615-003-10

A:V1505-EB-FISHER-1 B:V1505-B-FISHER-1

REF.No.	PART No.	PART NAME	Q' TY/S. No.		I. C.	REMARKS
			A	B		
010	16271-3209-2	ASSY CARTRIDGE, OIL	1	1		

# 0007 DIPSTICK AND GUIDE



16696-013-20

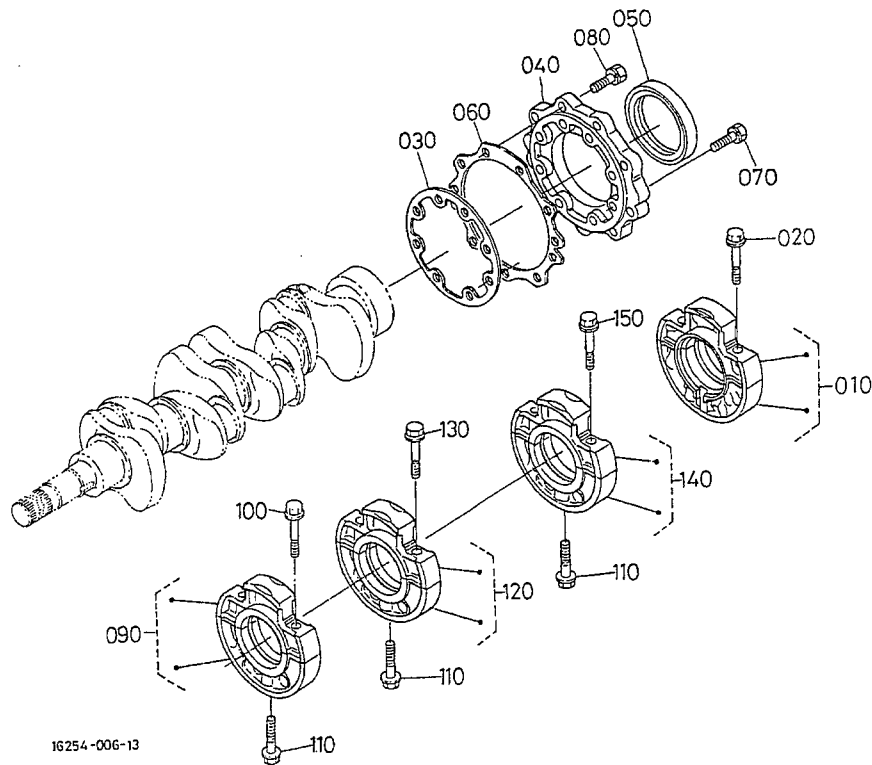
A:V1505-EB-FISHER-1 B:V1505-B-FISHER-1

REF. No.	PART No.	PART NAME	Q' TY/S. No.		I. C.	REMARKS
			A	B		
010	16611-3641-2	GAUGE, OIL	1 ←=4J8648	1 ←=4J8648		#
010	16611-3641-3	GAUGE, OIL	1 →=4L0001	1 →=4L0001	←	#
020	16282-3650-0	ASSY GUIDE, OIL GAUGE	1	1		
030	04814-00090	O RING	1	1		
040	01123-60814	BOLT	1	1		
050	1G513-3655-0	PLUG, OIL GAUGE	1 →=5A0001	1 →=5A0001		#

↔ Interchangeable; ≠ not interchangeable; ← new for old; → old for new  
7

0100 MAIN BEARING CASE

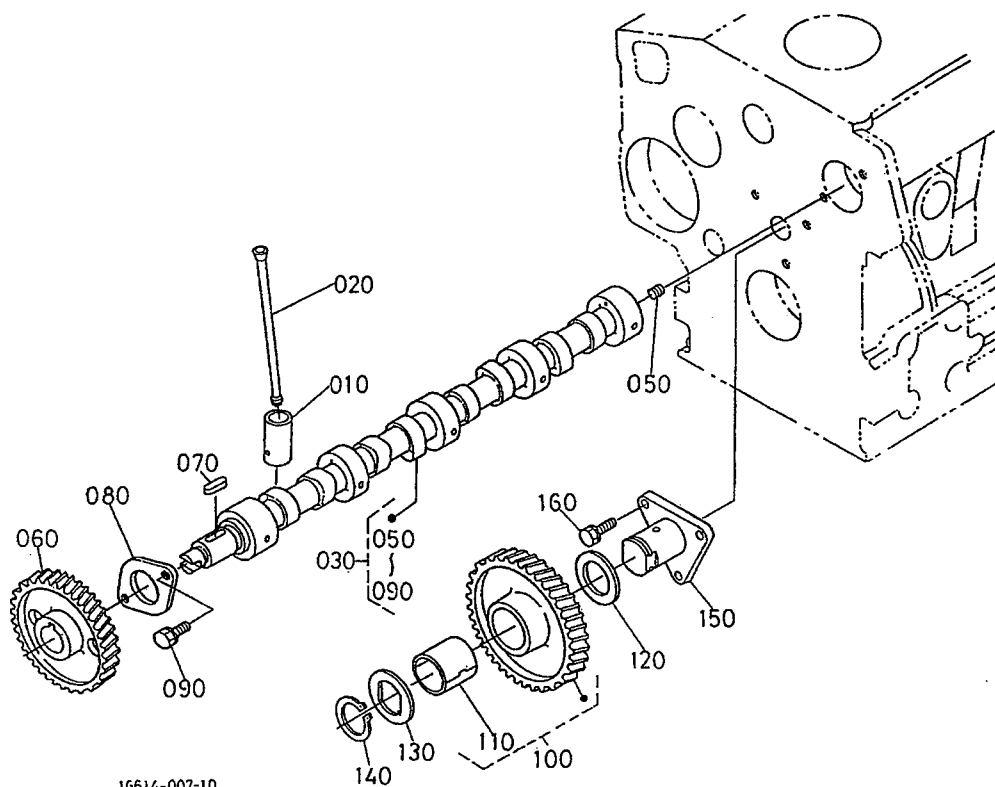
B04-R



A:V1505-EB-FISHER-1 B:V1505-B-FISHER-1

REF.No.	PART No.	PART NAME	Q' TY/S. No.		I. C.	REMARKS
			A	B		
010	16241-0409-2	ASSY CASE, MAIN BRG.	1	1		
020	16241-0454-0	BOLT, BEARING CASE	2	2		
030	16264-0436-0	GASKET, BRG. CASE	1	1		
040	16241-0481-3	COVER, BEARING CASE	1	1		
050	16241-0446-0	SEAL, OIL	1	1		
060	16264-0482-0	GASKET	1	1		
070	01023-50625	BOLT	8	8		
080	01023-50620	BOLT	9	9		
090	16261-0404-0	ASSY CASE, MAIN BRG.	1	1		
100	16241-0454-0	BOLT, BEARING CASE	2	2		
110	16241-0456-0	BOLT, BEARING CASE	3	3		
120	16261-0405-0	ASSY CASE, MAIN BRG.	1	1		
130	16241-0454-0	BOLT, BEARING CASE	2	2		
140	16282-0406-0	ASSY CASE, MAIN BRG.	1	1		
150	16241-0454-0	BOLT, BEARING CASE	2	2		

# 0101 CAMSHAFT AND IDLE GEAR SHAFT



16614-007-10

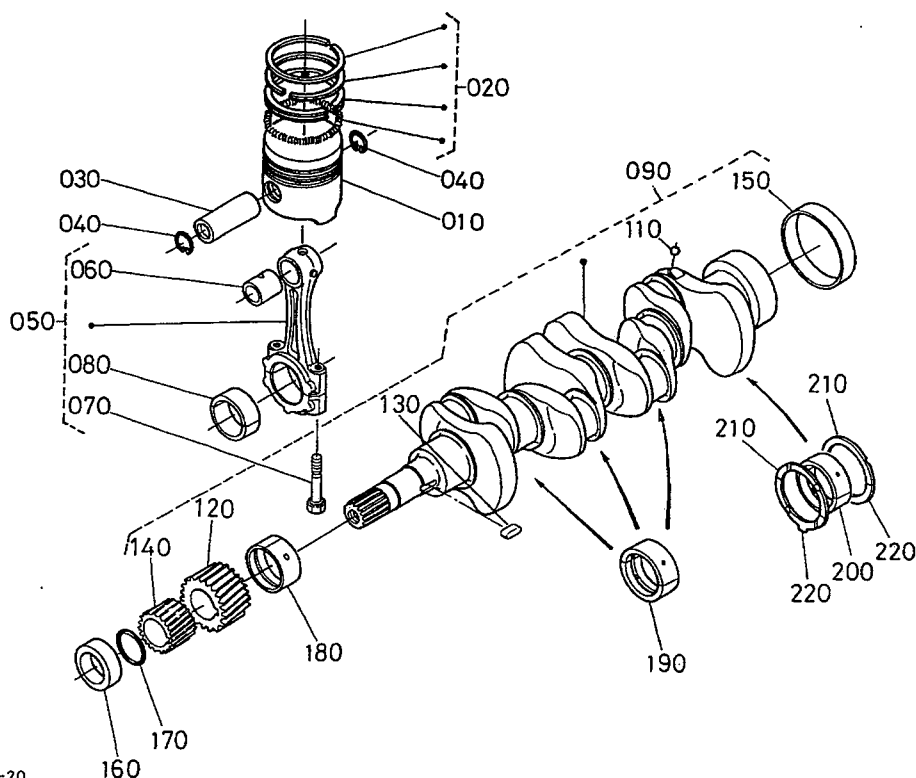
A:V1505-EB-FISHER-1 B:V1505-B-FISHER-1

REF. No.	PART No.	PART NAME	Q' TY/S. No.		I. C.	REMARKS
			A	B		
010	16261-1555-0	TAPPET	8	8		
020	16241-1511-0	PUSH ROD	8	8		
030	16271-1601-0	ASSY CAMSHAFT	≤4M0019	≤4M0019		#
030	16271-1691-0	ASSY CAMSHAFT	≥4N0001	≥4N0001	←	#
040	—	BLANK	—	—		
050	15521-9361-0	SCREW, SET	1	1		
060	16241-1651-0	GEAR, CAM	1	1		
070	05712-00518	KEY, FEATHER	1	1		
080	16241-1627-0	STOPPER, CAMSHAFT	1	1		
090	01023-50614	BOLT	2	2		
090	01023-50616	BOLT	≤2D0119	≤2D0119		
090	01023-50616	BOLT	≥2E0004	≥2E0004	←	
100	16271-2401-0	COMP GEAR, IDLE	1	1		
110	16271-2498-0	BUSH, IDLE GEAR	1	1		
120	16241-2436-0	COLLAR, IDLE GEAR	1	1		
130	16241-2437-0	COLLAR, IDLE GEAR	1	1		
140	16241-2432-0	CIR CLIP, IDLE GEAR	1	1		
150	16241-2425-0	SHAFT, IDLE GEAR	1	1		
160	01023-50616	BOLT	3	3		

↔ Interchangeable; ≠ not interchangeable; ← new for old; → old for new



# 0102 PISTON AND CRANKSHAFT



17208-001-20

A:V1505-EB-FISHER-1 B:V1505-B-FISHER-1

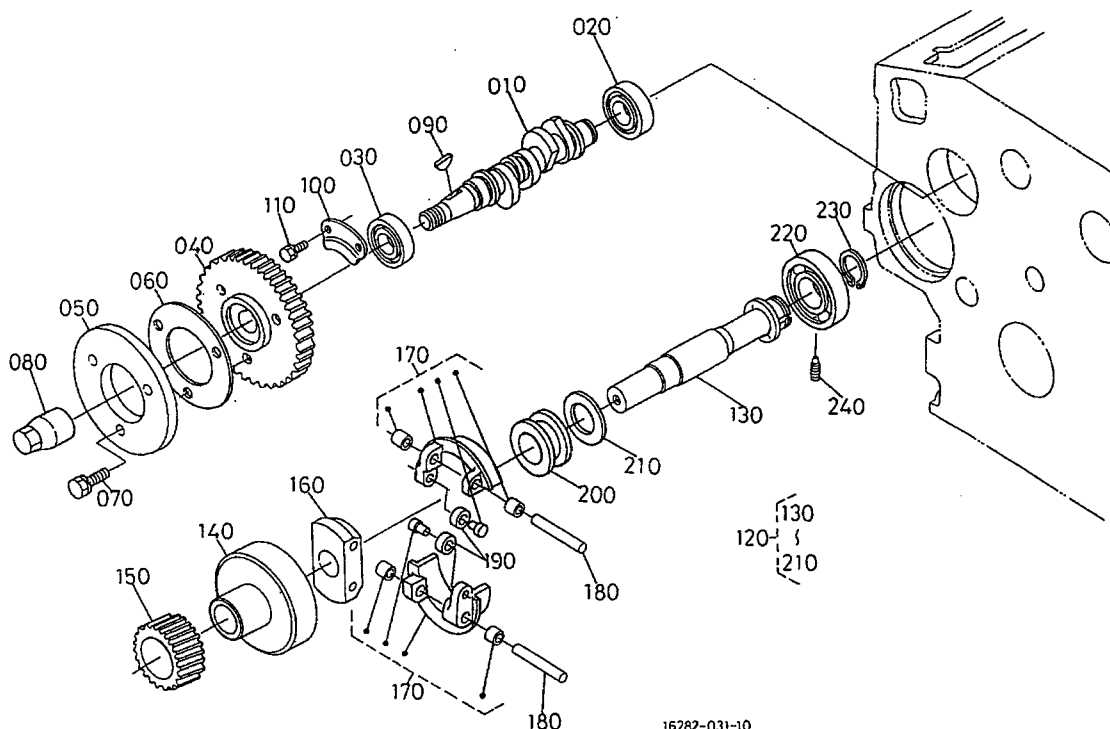
REF. No.	PART No.	PART NAME	Q' TY/S. No.		I. C.	REMARKS
			A	B		
010	16060-2111-0	PISTON	4 ≤5F0181	4 ≤5F0181		# STD
010	16060-2111-3	PISTON	4 ≥5G0001	4 ≥5G0001		≠ # STD
010	16060-2191-0	PISTON	4 ≤5F0181	4 ≤5F0181		# +0.50mm
010	16060-2191-3	PISTON	4 ≥5G0001	4 ≥5G0001		≠ # +0.50mm
020	16261-2105-0	ASSY PISTON RING	4 ≤5F0181	4 ≤5F0181		# STD
020	16292-2105-0	ASSY PISTON RING	4 ≥5G0001	4 ≥5G0001		≠ # STD
020	16261-2109-0	ASSY PISTON RING	4 ≤5F0181	4 ≤5F0181		# +0.50mm
020	16292-2109-0	ASSY PISTON RING	4 ≥5G0001	4 ≥5G0001		≠ # +0.50mm
030	16241-2131-0	PIN, PISTON	4	4		
040	16241-2133-0	CIR CLIP, PISTON PIN	8	8		
050	16241-2201-2	ASSY ROD, CONNECTING	4	4		
060	16241-2198-0	BUSH, PISTON PIN	4 ≤3M1525	4 ≤3M1525		#
060	16241-2198-2	BUSH, PISTON PIN	4 ≥3N0007	4 ≥3N0007		← #
070	16241-2214-2	BOLT, CONNECTING ROD	8	8		#
080	16241-2231-0	METAL, CRANKPIN	4	4		STD SET
080	16241-2297-0	METAL, CRANKPIN	4	4		-0.20mm SET
080	16241-2298-0	METAL, CRANKPIN	4	4		-0.40mm SET
090	16282-2301-3	COMP. CRANKSHAFT	1	1		
100	---	BLANK	-	-		
110	07715-00401	BALL	4	4		
120	16241-2411-0	GEAR, CRANK	1	1		
130	16271-9523-0	KEY	1	1		
140	16241-3563-0	GEAR, OIL PUMP DRIVE	1	1		
150	16241-2328-0	SLEEVE, CRANKSHAFT	1	1		
160	16241-2325-0	COLLAR, CRANKSHAFT	1	1		
170	04814-10280	RING	1	1		
180	16241-2347-0	METAL, CRANKSHAFT	1	1		STD
180	16241-2391-0	METAL, CRANKSHAFT	1	1		-0.20mm
180	16241-2392-0	METAL, CRANKSHAFT	1	1		-0.40mm
190	16241-2348-0	METAL, CRANKSHAFT	3	3		STD SET

↔ Interchangeable; ≠ not interchangeable; ← new for old; → old for new





# 0105 FUEL CAMSHAFT AND GOVERNOR SHAFT



16282-031-10

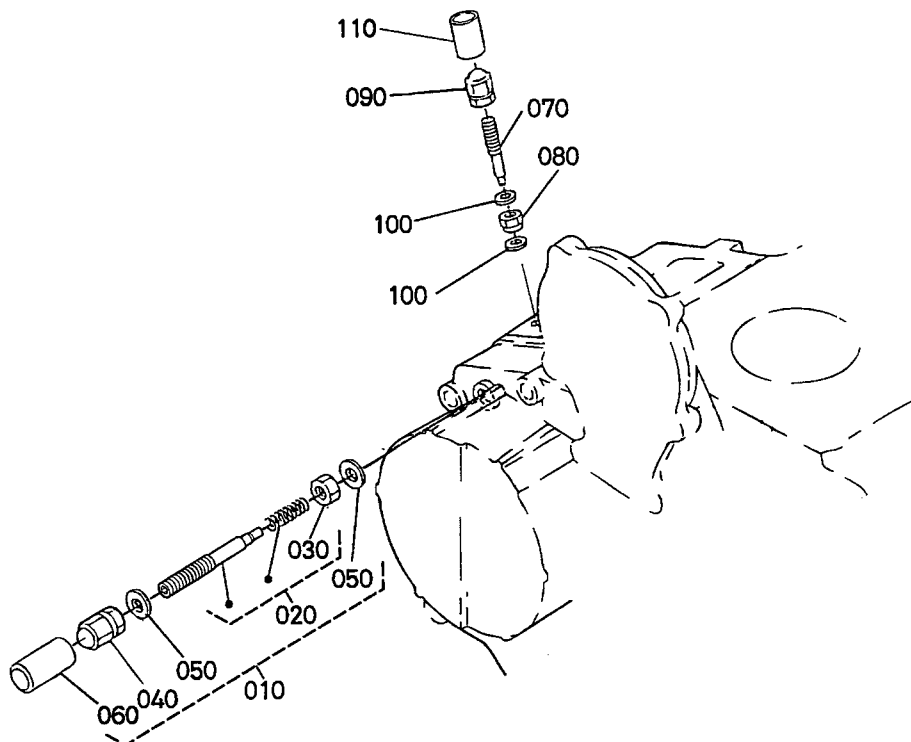
A:V1505-EB-FISHER-1 B:V1505-B-FISHER-1

REF. No.	PART No.	PART NAME	Q' TY/S. No.		I. C.	REMARKS
			A	B		
010	16040-1617-0	CAMSHAFT, FUEL	1	1		
020	08103-06202	BEARING, BALL	≤2V0293	≤2V0293		#
020	16261-9730-0	BEARING, BALL	≥2W0003	≥2W0003		≠ #
030	08103-06204	BEARING, BALL	≤2V0293	≤2V0293		#
030	16261-9731-0	BEARING, BALL	≥2W0003	≥2W0003		≠ #
040	16272-5115-0	GEAR, INJECTION PUMP	1	1		
050	16241-5111-3	CAM, FUEL	1	1		
060	16241-5119-0	WASHER	1	1		
070	01023-50618	BOLT	3	3		
080	16241-9233-0	NUT	1	1		
090	16241-9523-0	KEY, WOODRUFF	1	1		
100	16241-1632-0	STOPPER, FUEL. C/SHAFT	1	1		
110	01023-50612	BOLT	2 ≤2D0119	2 ≤2D0119		
110	01023-50616	BOLT	2 ≥2E0004	2 ≥2E0004		≠
120	16282-5501-3	ASSY SHAFT, GOVERNOR	1	1		
130	16271-5531-3	SHAFT, GOVERNOR	1	1		
140	16241-5539-2	HOLDER, GOVERNOR GEAR	1	1		
150	16282-5532-0	GEAR, GOVERNOR	1	1		
160	16241-5527-0	HOLDER, GOV. WEIGHT	1	1		
170	16241-5506-2	COMP. WEIGHT, GOVERNOR	2	2		
180	16241-5526-0	SHAFT, GOV. WEIGHT	2	2		
190	19484-5544-0	ROLLER	2	2		
200	16241-5545-0	SLEEVE, GOVERNOR	1	1		
210	16241-5546-3	WASHER, THRUST	1	1		
220	08101-06304	BEARING, BALL	≤2V0293	≤2V0293		#
220	16261-9732-0	BEARING, BALL	≥2W0003	≥2W0003		≠ #
230	16271-5541-0	CIR CLIP, GOV. SHAFT	1	1		
240	16241-5555-4	SCREW, SET	1	1		

↔ Interchangeable; ≠ not interchangeable; ← new for old; → old for new



# 020002 IDLE APPARATUS



16221-039-18

A:V1505-EB-FISHER-1 B:V1505-B-FISHER-1

REF. No.	PART No.	PART NAME	Q' TY/S. No.		I. C.	REMARKS
			A	B		
010	16285-5409-0	ASSY APPARATUS, IDLE	-	1		#
010	16285-5409-3	APPARATUS, IDLING	-	<=4F9526		
020	16285-5410-2	ASSY BOLT, ADJUSTING	-	1	←	#
020	16285-5410-3	ASSY BOLT, ADJUSTMENT	-	>=4G0001		
030	15841-9202-0	NUT	-	1		
040	15852-9233-0	NUT	-	1		
050	15601-9665-0	GASKET	-	2		
060	16221-5442-0	CAP	-	1		
070	16241-5412-0	BOLT, ADJUSTING	-	1		#
070	16241-5412-2	BOLT, ADJUSTING	-	<=4F9526		
080	15841-9202-0	NUT	-	1	←	#
090	15852-9233-0	NUT	-	1		
100	15601-9665-0	GASKET	-	2		
110	16221-5442-0	CAP	-	1		

↔ Interchangeable; ≠ not interchangeable; ← new for old; → old for new

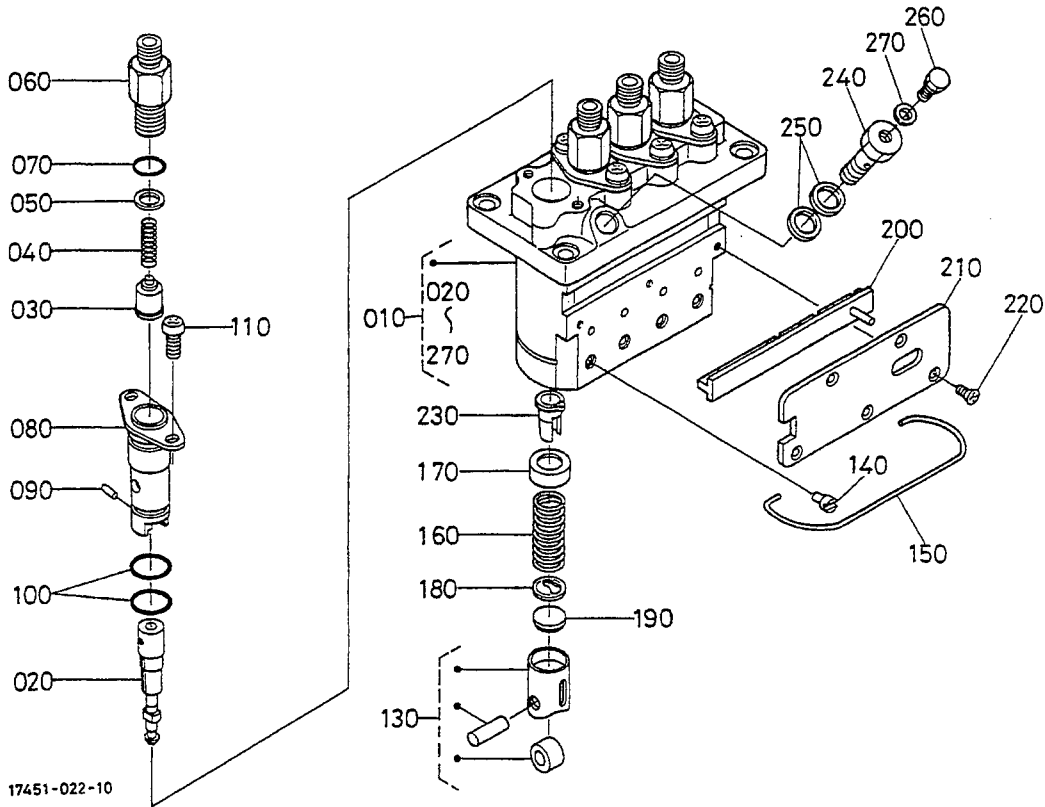






# 0203 INJECTION PUMP (COMPONENT PARTS)

**B09-R**

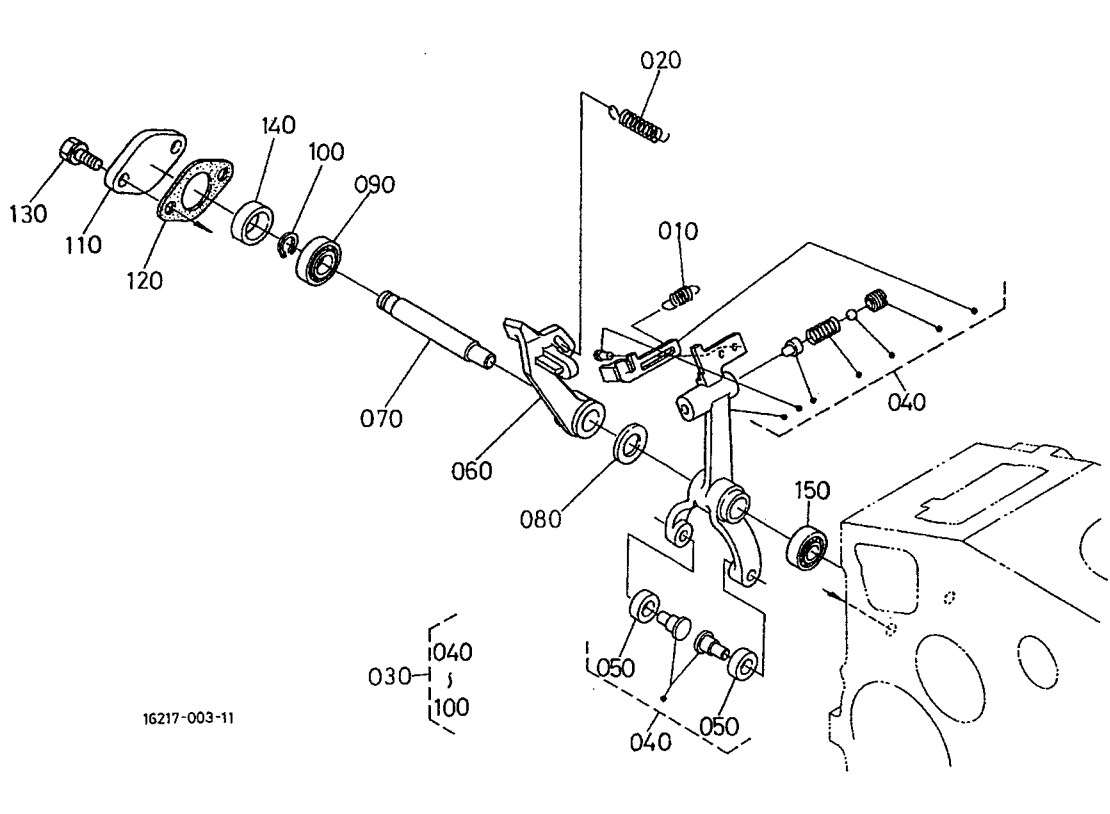


A:V1505-EB-FISHER-1 B:V1505-B-FISHER-1

REF.No.	PART No.	PART NAME	Q' TY/S. No.		I. C.	REMARKS
			A	B		
010	16060-5101-0	ASSY PUMP, INJECTION	1	1		
020	16030-5105-2	PLUNGER, PUMP	4	4		
030	15841-5103-0	VALVE, DELIVERY	4	4		
040	15841-5123-0	SPRING, DELIV. VALVE	4	4		
050	15841-5124-0	GASKET, DELIV. VALVE	4	4		
060	16271-5122-0	HOLDER, DELIV. VALVE	4	4		
070	15841-9676-0	O RING	4	4		
080	15841-5156-0	FLANGE, SLEEVE	4	4		
090	15841-9457-0	PIN, JOINT	4	4		
100	15841-5120-0	O RING	8	8		
110	15862-9143-0	SCREW	8	8		
120	----	BLANK	-	-		
130	15841-5107-0	ASSY TAPPET	4	4		
140	15841-5125-0	PIN, TAPPET GUIDE	4	4		
150	16271-5143-0	PIN, CLAMP	1	1		
160	15841-5128-0	SPRING, PLUNGER	4	4		
170	15841-5127-0	SEAT, SPRING UPPER	4	4		
180	15841-5129-0	SEAT, SPRING LOWER	4	4		
190	15841-5149-0	SHIM	4	4		
200	16060-5106-0	RACK, CONTROL	1	1		
210	16060-5154-0	PLATE	1	1		
220	15841-9311-0	SCREW, CSK-HD	5	5		
230	15841-5138-0	SLEEVE, CONTROL	4	4		
240	16030-5132-0	BOLT, JOINT	1	1		
250	15841-9665-0	GASKET	2	2		
260	15841-5135-0	SCREW	1	1		
270	15841-9666-0	GASKET	1	1		

# 0204 GOVERNOR

#S. No. ; A: <=3W8797, B: <=3W8797



A:V1505-EB-FISHER-1 B:V1505-B-FISHER-1

REF. No.	PART No.	PART NAME	Q' TY/S. No.		I. C.	REMARKS
			A	B		
010	16271-5648-0	SPRING, START	1	1		
020	16285-5641-2	SPRING, GOVERNOR	1	1		
030	16060-5605-4	ASSY LEVER, FORK	1 ≤2F0161	1 ≤2F0161	#	
030	16060-5605-5	ASSY LEVER, FORK	1 ≥2G0008	1 ≥2G0008	← #	
040	16060-5604-4	COMP. LEVER, FORK	1 ≤2F0161	1 ≤2F0161	#	
040	16060-5604-5	COMP. LEVER, FORK	1 ≥2G0008	1 ≥2G0008	← #	
050	19484-5544-0	ROLLER	2	2		
060	16222-5613-0	LEVER, FORK	1 ≤2F0161	1 ≤2F0161	#	
060	16222-5613-3	LEVER, FORK	1 ≥2G0008	1 ≥2G0008	← #	
070	16241-5615-3	SHAFT, FORK LEVER	1	1		
080	16241-9401-0	WASHER, PLAIN	1	1		
090	16241-5633-0	BEARING, MINIATURIZE	1	1		
100	04612-00090	CIR CLIP, EXTERNAL	1	1		
110	16241-5625-0	COVER, FORK LEV. SHAFT	1	1		
120	16299-5626-0	GASKET	1	1		
130	01023-50614	BOLT	2	2		
140	16241-5621-0	COLLAR	1	1		
150	16241-5634-0	BEARING, MINIATURIZE	1	1		

↔ Interchangeable; ≠ not interchangeable; ← new for old; → old for new





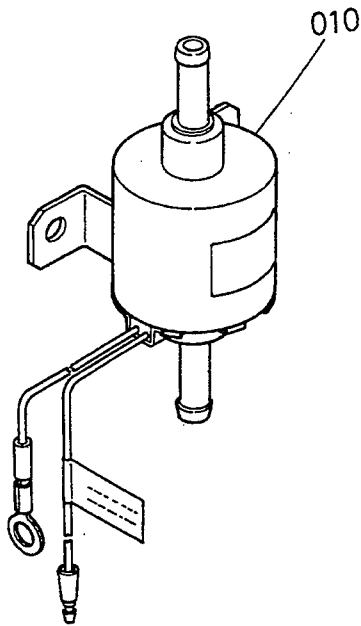










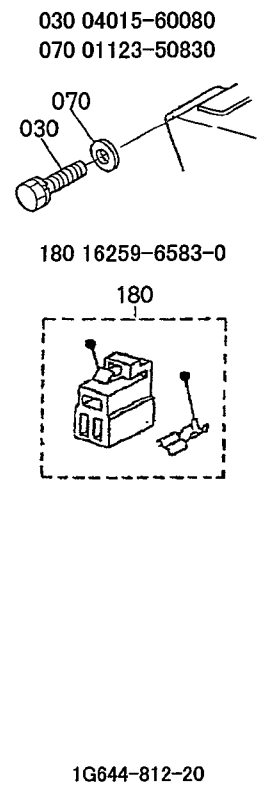
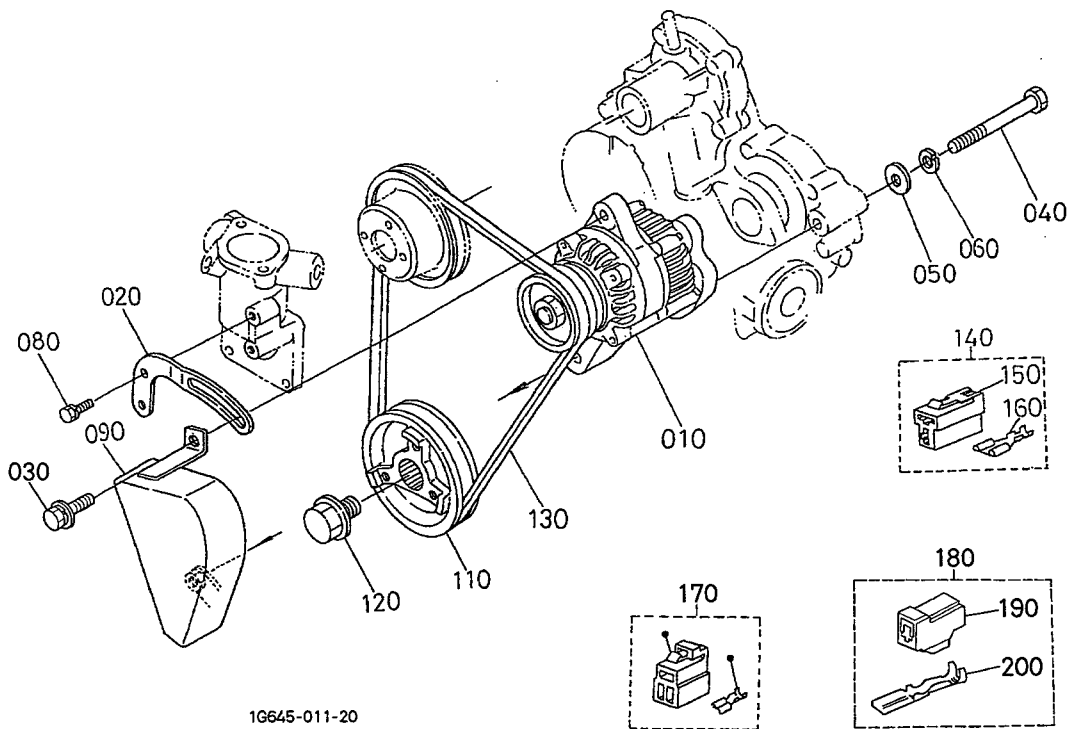


16682-069-10

A:V1505-EB-FISHER-1 B:V1505-B-FISHER-1

REF.No.	PART No.	PART NAME	Q' TY/S. No.		I. C.	REMARKS
			A	B		
010	17476-5203-2	ASSY PUMP, FUEL	1	1		

# 0402 ALTERNATOR AND PULLEY

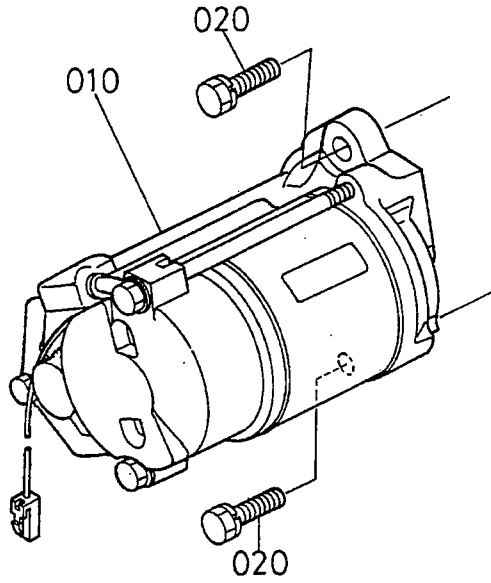


A:V1505-EB-FISHER-1 B:V1505-B-FISHER-1

REF. No.	PART No.	PART NAME	Q' TY/S. No.		I. C.	REMARKS
			A	B		
010	16231-6401-0	ASSY ALTERNATOR	≤197969	≤197969		
010	16231-6401-2	ASSY ALTERNATOR	≥1S0005	≥1S0005	←	
020	16241-6442-0	STAY, DYNAMO				
030	01123-50830	BOLT	≤4E9526	≤4E9526	#	
030	01127-50830	BOLT	≥4G0001	≥4G0001	≠#	
040	01173-51085	BOLT				
050	04011-50100	WASHER, PLAIN				
060	04512-60100	WASHER, SPRING				
070	04015-60080	WASHER, PLAIN	≤4E9526	≤4E9526	#	
080	01023-50616	BOLT				
090	16616-1386-0	COVER, BELT	1	1		
100		BLANK	-	-		
110	16249-7428-0	PULLEY, FAN DRIVE	1	1		
120	16241-9102-0	BOLT, FAN DRIVE	1	1		
130	16282-9701-0	V BELT	1	1		37.5IN
140	19838-6583-0	ASSY COUPLER	1	1		
150	19872-6588-0	CONNECTOR	1	1		
160	19237-6591-0	TERMINAL	2	2		
170	16259-6583-0	ASSY COUPLER, LOCK	-	1		
180	16259-6583-0	ASSY COUPLER, LOCK	1	-		#
180	1C010-6583-0	ASSY COUPLER	≤2M0758	-	≠#	
190	1C010-6588-0	CONNECTOR	≥2N0006	-	#	
200	1C010-6591-0	TERMINAL	≥2N0006	-	#	
			≥2N0006	-	#	

↔ Interchangeable; ≠ not interchangeable; ← new for old; → old for new





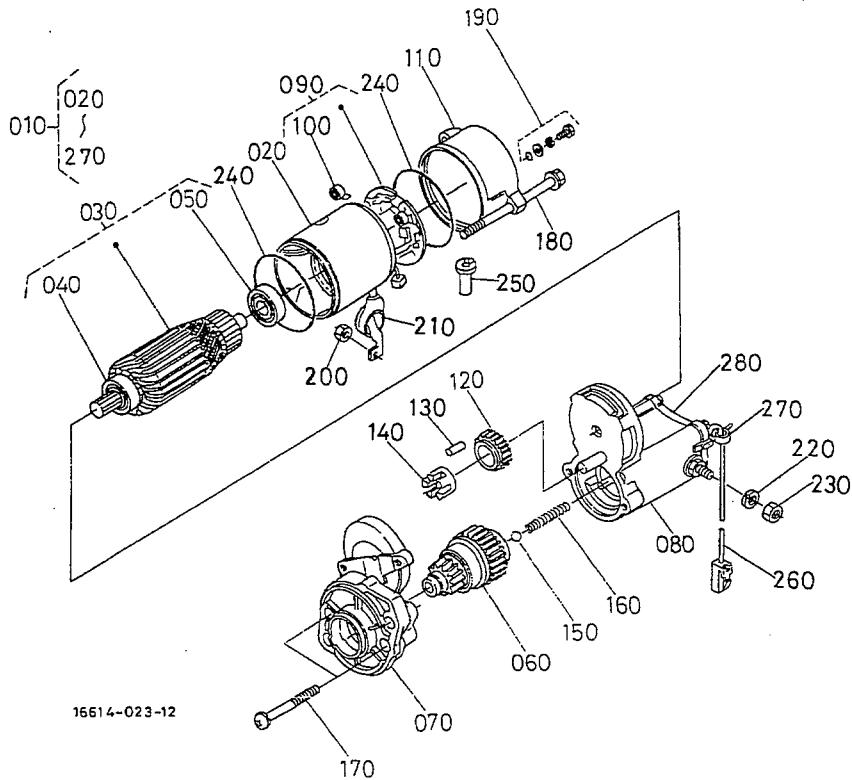
16614-022-10

A:V1505-EB-FISHER-1 B:V1505-B-FISHER-1

REF.No.	PART No.	PART NAME	Q' TY/S. No.		I. C.	REMARKS
			A	B		
010	37560-6301-0	ASSY STARTER	1	1		12V 1.4KW
020	01123-50830	BOLT	2	2		

# 0405 STARTER (COMPONENT PARTS)

**B15-L**

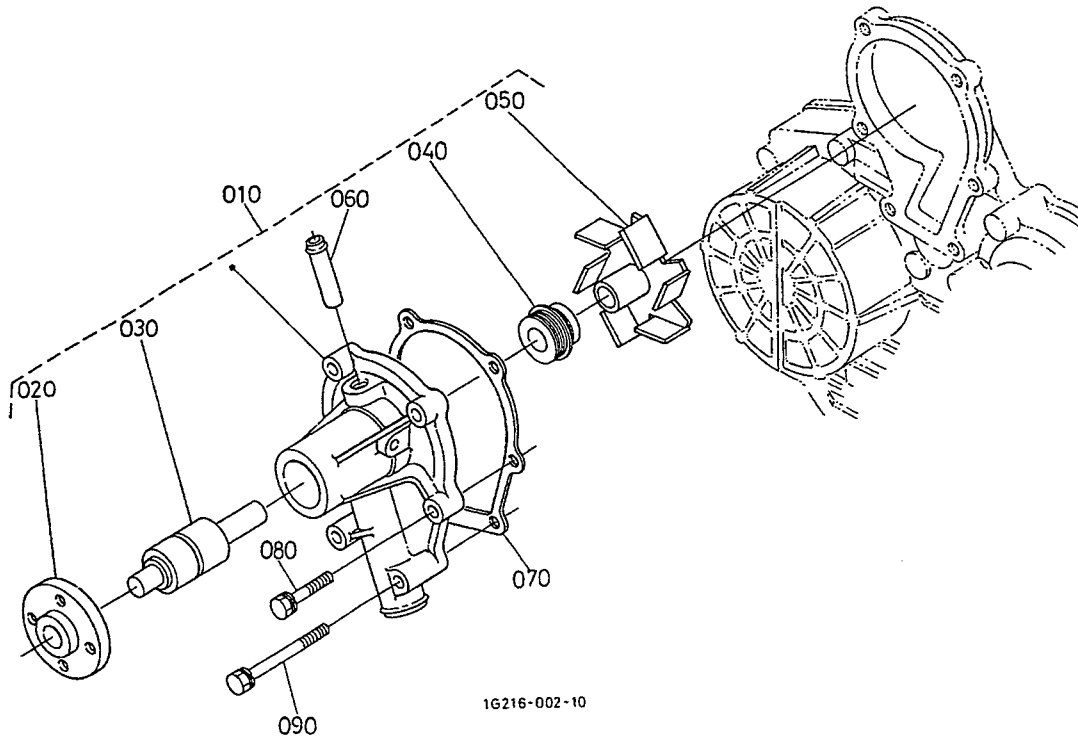


A:V1505-EB-FISHER-1 B:V1505-B-FISHER-1

REF.No.	PART No.	PART NAME	Q' TY/S. No.		I. C.	REMARKS
			A	B		
010	37560-6301-0	ASSY STARTER	1	1		
020	37560-6308-0	YOKE	1	1		
030	11460-6307-0	ARMATURE	1	1		
040	11460-6350-0	BEARING	1	1		
050	11460-6353-0	BEARING	1	1		
060	16285-6304-0	ASSY CLUTCH	1	1		
070	16285-6303-0	ASSY HOUSING	1	1		
080	16611-6302-0	ASSY SWITCH, MAGNETIC	1	1		
090	11470-6338-0	ASSY HOLDER, BRUSH	1	1		
100	11460-6339-0	SPRING, BRUSH	4	4		
110	16285-6320-0	ASSY FRAME, END	1	1		
120	11460-6327-0	GEAR	1	1		
130	19212-6310-0	ROLLER	5	5		
140	11460-6311-0	RETAINER	1	1		
150	19212-9713-0	BALL	1	1		
160	11460-6312-0	SPRING	1	1		
170	11460-9331-0	BOLT	2	2		
180	11460-6332-0	BOLT, THROUGH	2	2		
190	15511-6376-0	ASSY BOLT	2	2		
200	16285-9201-0	NUT, HEXAGON	1	1		
210	16611-6345-0	COVER	1	1		
220	13801-9410-0	WASHER, SPRING	1	1		
230	16611-9202-0	NUT, HEXAGON	1	1		
240	15511-9666-0	O RING	2	2		
250	16285-6357-0	PIPE, DRAIN	1	1		
260	16611-6366-0	CORD, STOP SOLENOID	1	1		
270	16612-6310-0	BAND, COVER	1	1		
280	16285-9805-0	ASSY COVER	1	1		

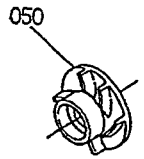




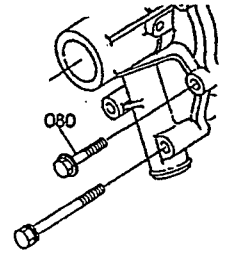


1G216-002-10

050 16241-7351-0



080 01754-50625



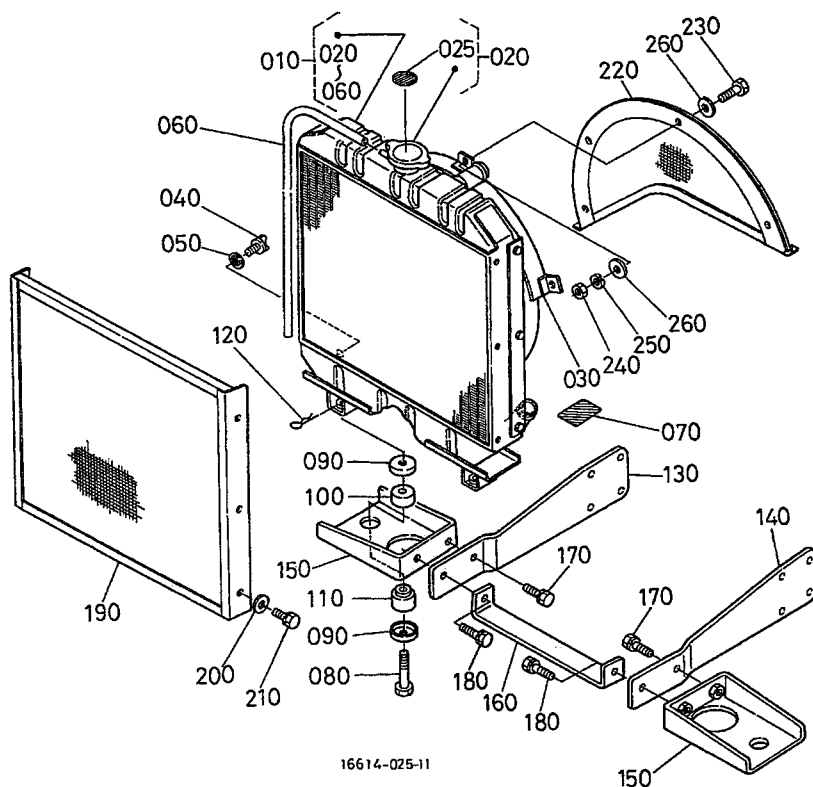
1G664-801-10

A:V1505-EB-FISHER-1 B:V1505-B-FISHER-1

REF.No.	PART No.	PART NAME	Q' TY/S. No.		I. C.	REMARKS
			A	B		
010	16241-7303-4	ASSY PUMP, WATER	~1U7903	~1U7903	3	#
010	16251-7303-4	ASSY PUMP, WATER	1W0006~	1W0006~	3	#
020	16241-7352-0	FLANGE, WATER PUMP	~1U7903	~1U7903	3	#
020	16259-7352-0	FLANGE, WATER PUMP	1W0006~	1W0006~	3	#
030	16241-7355-0	BEARING	~1U7903	~1U7903	3	#
030	16259-7355-2	BEARING	1W0006~	1W0006~	3	#
040	16241-7305-2	ASSY SEAL, MECHANICAL	~1U7903	~1U7903	3	#
040	1G642-7305-0	ASSY SEAL, MECHANICAL	1W0006~	1W0006~	3	#
050	16241-7351-0	IMPELLER, WATER PUMP	~1U7903	~1U7903	3	#
050	16259-7351-2	IMPELLER, WATER PUMP	1W0006~	1W0006~	3	#
060	16241-7334-0	PIPE, WATER RETURN	1	1		
070	16261-7343-0	GASKET, WATER PUMP	~1U7903	~1U7903	3	#
070	16239-7343-0	GASKET, WATER PUMP	1W0006~	1W0006~	3	#
080	01754-50625	BOLT, FLANGE	~1U7903	~1U7903	3	#
080	01023-50630	BOLT	4 1W0006~	4 1W0006~	3	#
090	01023-50680	BOLT	2 ~1U7903	2 ~1U7903	3	#
090	01023-50685	BOLT	2 1W0006~	2 1W0006~	3	#



# 0502 RADIATOR



16614-025-11

A:V1505-EB-FISHER-1 B:V1505-B-FISHER-1

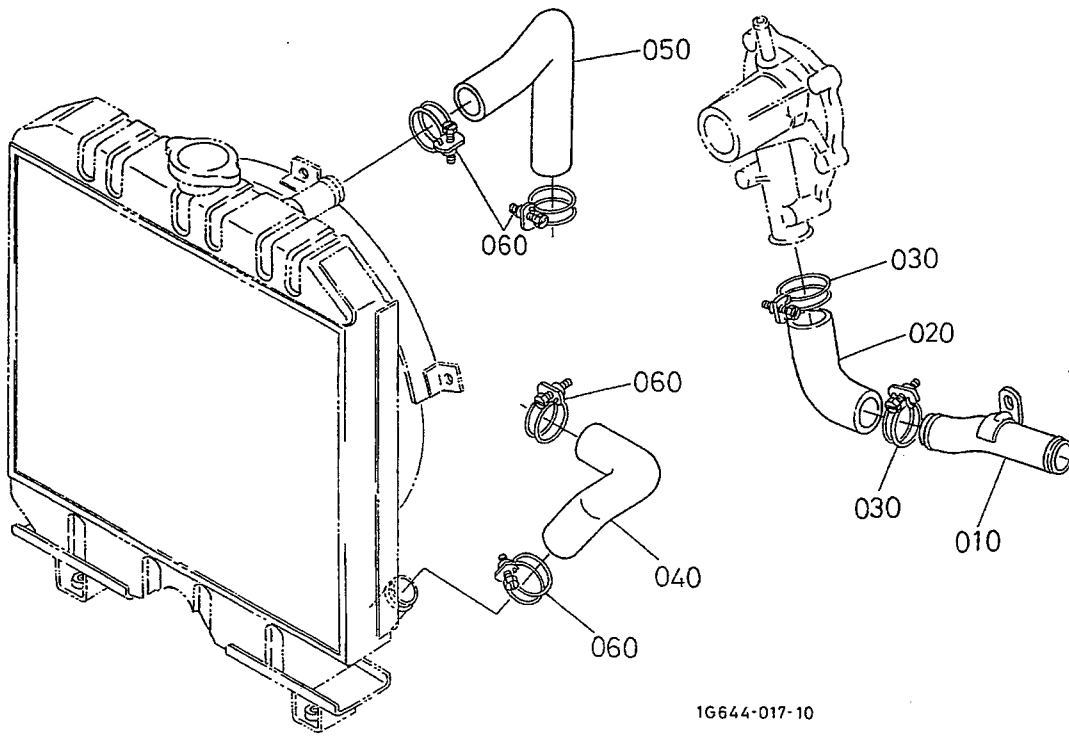
REF. No.	PART No.	PART NAME	Q' TY/S. No.		I. C.	REMARKS
			A	B		
010	16626-7206-0	ASSY RADIATOR	1	1		
020	15272-7202-0	ASSY CAP	1	1		
025	19077-8724-0	LABEL, CAUTION	1	1		
030	16626-7233-0	SHROUD, FAN	1	1		
040	15231-7311-0	COCK, DRAIN	1	1		
050	15231-9669-0	GASKET	1	1		
060	15596-7271-0	PIPE, WATER OVER FLOW	1	1		
070	19426-8788-0	LABEL, INSTRUCTION	1	1		
080	15108-7238-0	BOLT	2	2		
090	15111-7220-0	WASHER	4	4		
100	15111-7218-0	CUSHION	2	2		
110	15111-7219-0	CUSHION	2	2		
120	05515-61000	PIN, SNAP	2	2		
130	16616-7213-2	SUPPORT, RADIATOR	1	1		
140	16616-7214-0	SUPPORT, RADIATOR	1	1		
150	16616-7216-2	STAY, RADIATOR	2	2		
160	16616-7215-0	STAY, RADIATOR	1	1		
170	01123-50822	BOLT	2	2		
180	01123-50830	BOLT	2	2		
190	19416-7225-0	NET, RADIATOR	1	1		
200	04015-60060	WASHER, PLAIN	6	6		
210	01023-50612	BOLT	6	6		
220	16616-7412-0	COVER, FAN	1 ≤309649	1 ≤309649		#
220	16698-7412-0	COVER, FAN	1 ≥3S0001	1 ≥3S0001	↔	#
230	01053-50614	BOLT	4	4		
240	02056-50060	NUT	4	4		
250	04512-60060	WASHER, SPRING	4	4		
260	04014-50060	WASHER, PLAIN	8	8		

↔ Interchangeable; ≠ not interchangeable; ← new for old; → old for new

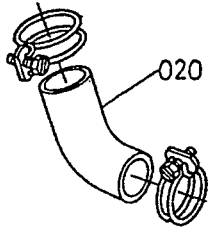
0503 WATER PIPE

C01-R

REV.JUN. 20 '02



020 16241-7287-0

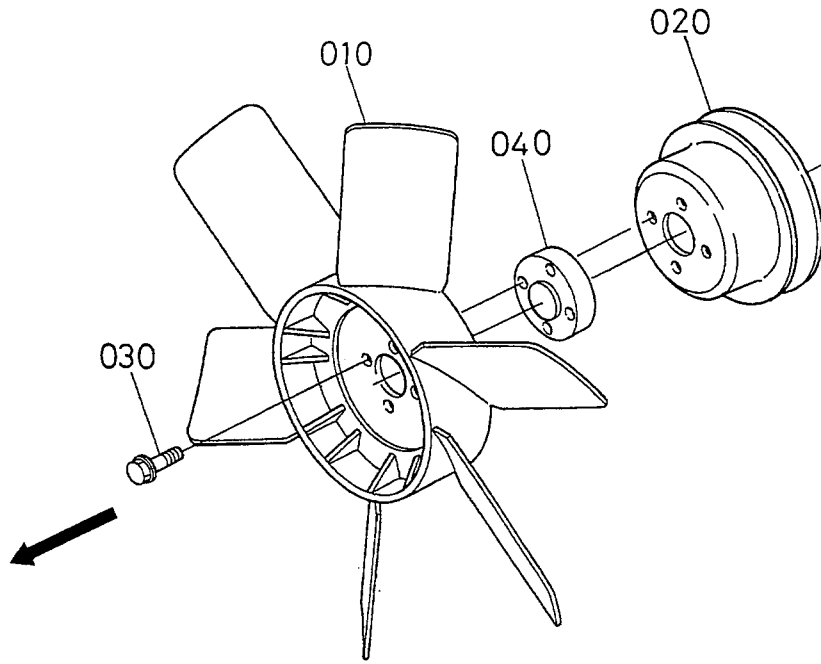


1G644-017-10

1G216-804-10

A:V1505-EB-FISHER-1 B:V1505-B-FISHER-1

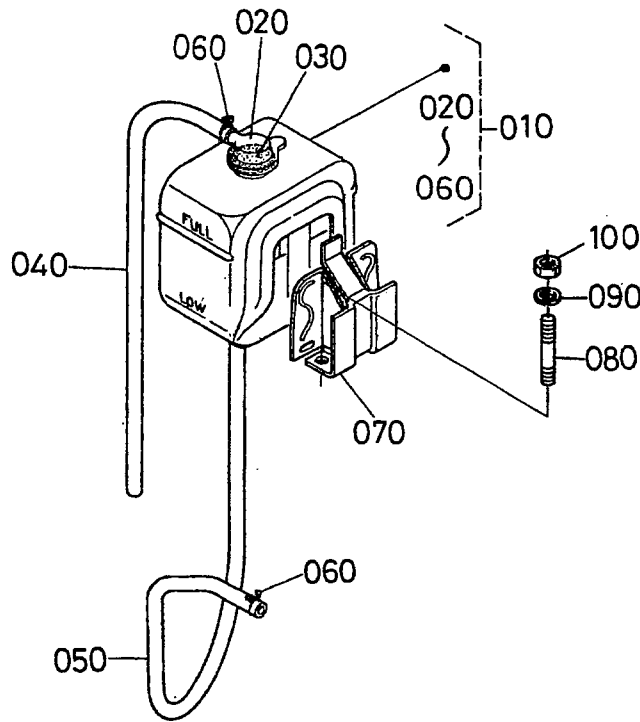
REF.No.	PART No.	PART NAME	Q' TY/S. No.		I. C.	REMARKS
			A	B		
010	17203-7286-0	PIPE, WATER	1	1		
020	16241-7287-0	PIPE, WATER	1 ~1U7903	1 ~1U7903	3	#
020	1G680-7287-0	PIPE, WATER	1 1W0006~	1 1W0006~		#
030	36200-8272-0	CLAMP	2	2		
040	16626-7285-0	HOSE, WATER	1	1		
050	16266-7294-0	PIPE, WATER	1	1		
060	09318-89039	CLAMP, HOSE	4	4		



1E058-009-10

A:V1505-EB-FISHER-1 B:V1505-B-FISHER-1

REF.No.	PART No.	PART NAME	Q' TY/S. No.		I. C.	REMARKS
			A	B		
010	16299-7411-0	FAN	1	1		
020	16241-7425-0	PULLEY, FAN	1	1		
030	01754-50620	BOLT, FLANGE	4	4		
040	15876-7415-0	COLLAR, FAN	1	1		

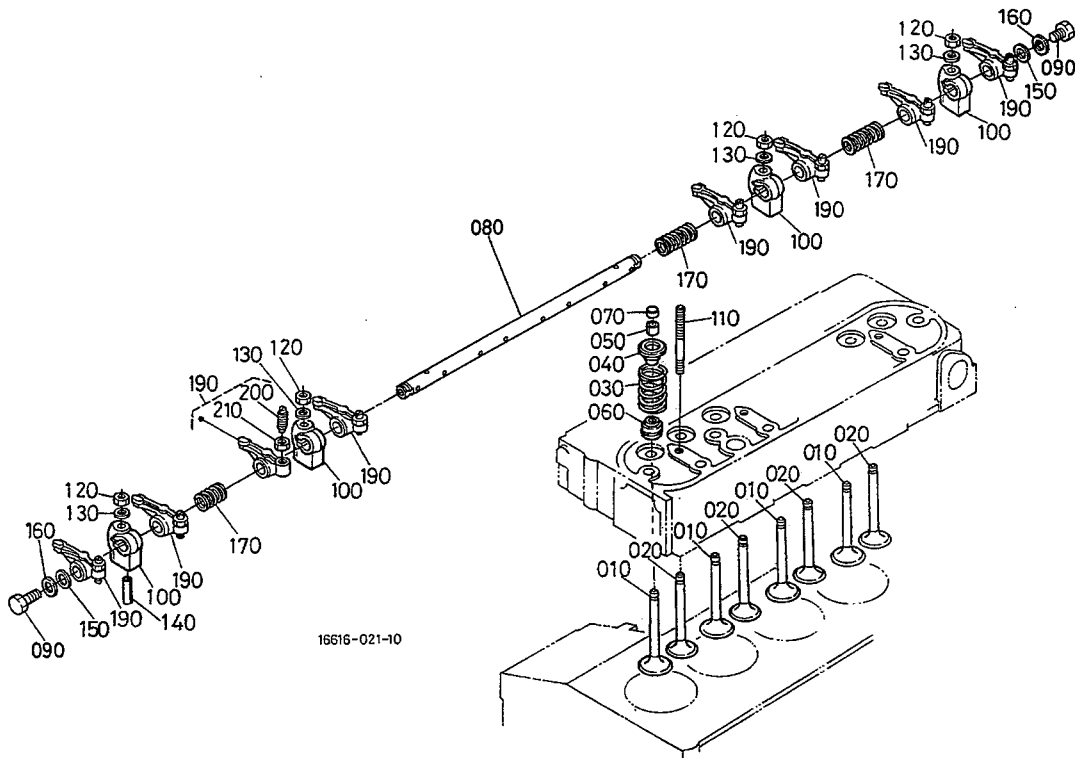


16614-061-10

A:V1505-EB-FISHER-1 B:V1505-B-FISHER-1

REF.No.	PART No.	PART NAME	Q' TY/S. No.		I. C.	REMARKS
			A	B		
010	15501-7240-0	ASSY TANK, RESERVE	1	1		
020	15272-7242-0	CAP	1	1		
030	15531-7243-2	GASKET	1	1		
040	15501-7271-0	PIPE, WATER OVER FLOW	1	1		
050	68111-4239-0	PIPE, WATER OVER FLOW	1	1		
060	15501-7247-0	CLIP, PIPE	2	2		
070	15527-7246-0	STAY, RESERVE TANK	1	1		
080	01513-50870	STUD	2	2		
090	04512-50080	WASHER, SPRING	2	2		
100	02156-50080	NUT	2	2		

# 0600 VALVE AND ROCKER ARM

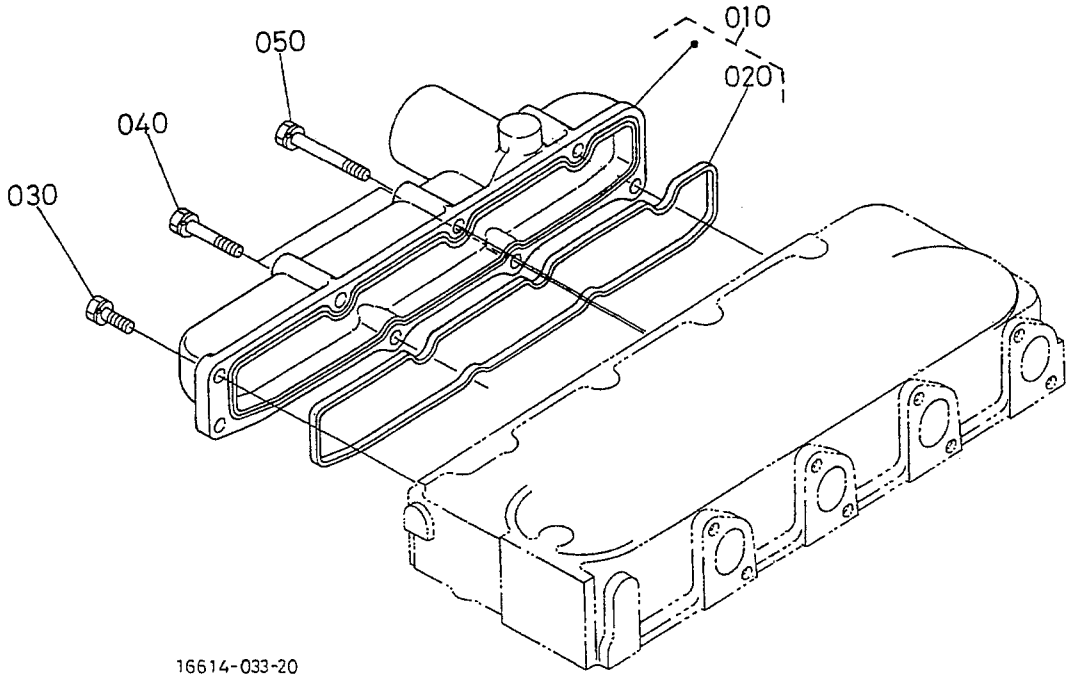


16616-021-10

A:V1505-EB-FISHER-1 B:V1505-B-FISHER-1

REF. No.	PART No.	PART NAME	Q' TY/S. No.		I. C.	REMARKS
			A	B		
010	16241-1311-0	VALVE, INLET	4	4		
020	16241-1312-0	VALVE, EXHAUST	4	4		
030	16271-1324-0	SPRING, VALVE	8	8		
040	16241-1333-0	RETAINER, VALVE SP.	8	8		#
040	16261-1333-0	RETAINER, SPRING	≤2V0293 8 ≥2W0003	≤2V0293 8 ≥2W0003	↔	#
050	15261-1336-0	COLLET, VALVE SPRING	8	8		SET
060	1C010-1315-0	SEAL, VALVE STEM	8	8		
070	16241-1328-0	CAP, VALVE	8	8		
080	16241-1426-4	SHAFT, ROCKER ARM	1	1		
090	01023-50610	BOLT	2	2		
100	16241-1435-0	BRACKET, ROCKER ARM	4	4		
110	16241-1441-0	STUD	4	4		
120	15261-9201-0	NUT	4	4		
130	15261-9401-0	WASHER, PLAIN	4	4		
140	05411-00428	PIN, SPRING	1	1		
150	16241-1443-0	WASHER, R-ARM. SHAFT	2	2		
160	15841-9402-2	WASHER, PLAIN	2	2		
170	16241-1431-0	SPRING, ROCKER ARM	3	3		
180	—	BLANK	—	—		
190	16241-1403-2	ASSY ROCKER ARM	8	8		
200	16241-1423-0	SCREW, ADJUSTING	8	8		
210	16241-1424-0	NUT	8	8		

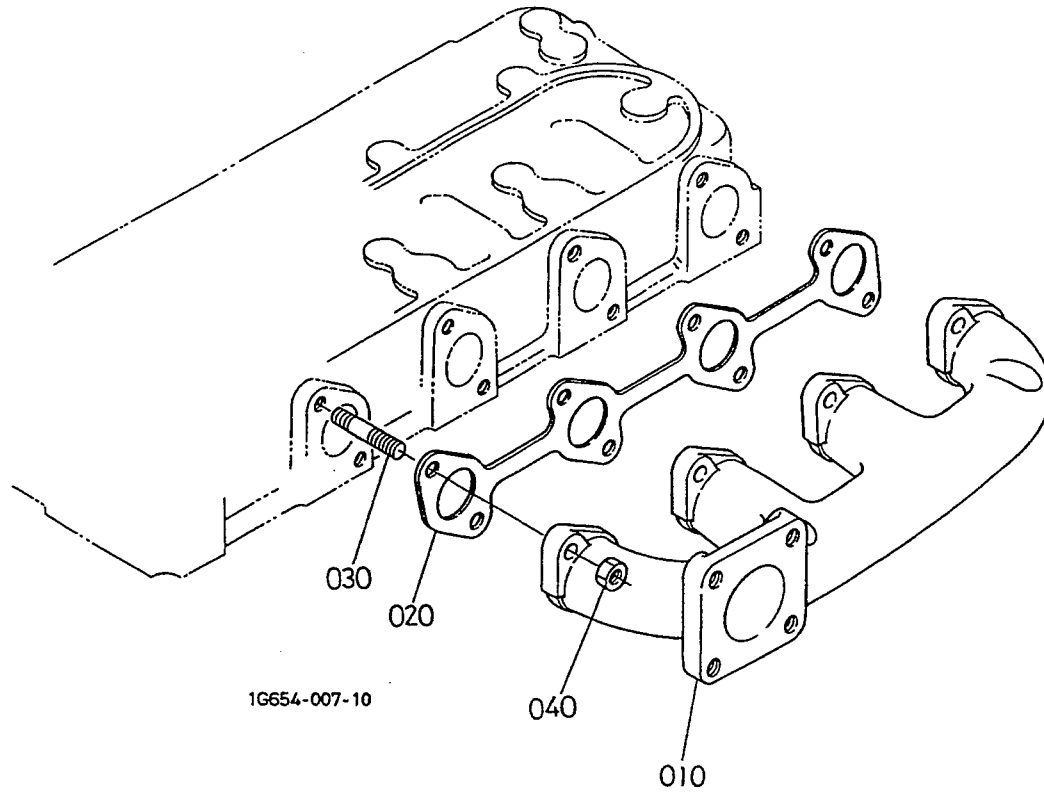
↔ Interchangeable; ≠ not interchangeable; ← new for old; → old for new



16614-033-20

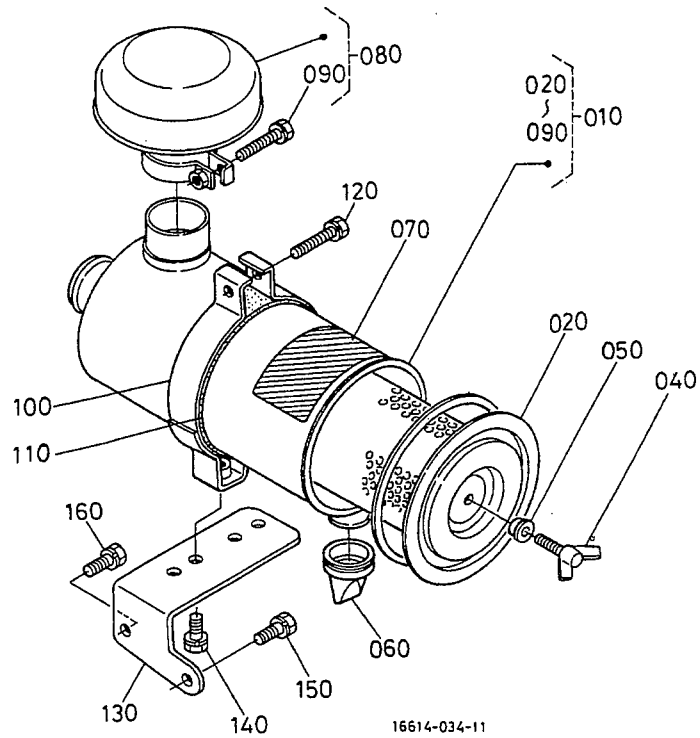
A:V1505-EB-FISHER-1 B:V1505-B-FISHER-1

REF.No.	PART No.	PART NAME	Q' TY/S. No.		I. C.	REMARKS
			A	B		
010	16271-1177-0	ASSY MANIFOLD, INLET	1	1		
020	16241-1182-0	GASKET, IN-MANIFOLD	1	1		
030	01023-50618	BOLT	3	3		
040	01023-50630	BOLT	2	2		
050	01023-60650	BOLT	3	3		



A:V1505-EB-FISHER-1 B:V1505-B-FISHER-1

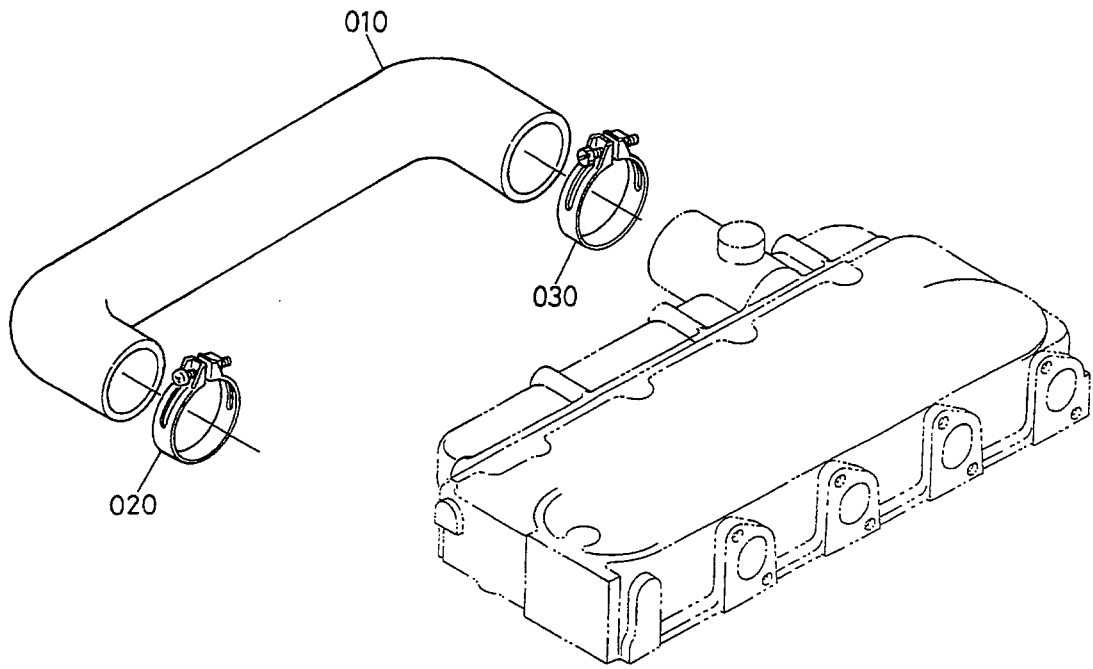
REF.No.	PART No.	PART NAME	Q' TY/S. No.		I. C.	REMARKS
			A	B		
010	16616-1231-2	MANIFOLD, EXHAUST	1	1		
020	16299-1236-0	GASKET, EX-MANIFOLD	1	1		
030	16241-9149-0	STUD	8	8		
040	16271-9201-0	NUT	8	8		



A:V1505-EB-FISHER-1 B:V1505-B-FISHER-1

REF.No.	PART No.	PART NAME	Q' TY/S. No.		I. C.	REMARKS
			A	B		
010	16616-1101-3	ASSY CLEANER, AIR	1	1		
020	15741-1108-3	ASSY ELEMENT, A/C	-	-		
030	----	BLANK				
040	15741-9262-0	BOLT, WING	1	1		
050	15741-9443-0	ASSY GASKET	1	1		
060	15741-1147-0	VALVE	1	1		
070	16271-8745-0	LABEL, A/C ELEMENT	1	1		
080	16616-1135-0	CAP, AIR CLEANER	1	1		
090	01123-50835	BOLT	1	1		
100	15000-3693-0	BAND, AIR CLEANER	1	1		
110	15000-3692-0	CUSHION	1	1		
120	01123-50835	BOLT	1	1		
130	16616-1157-0	STAY, AIR CLEANER	1	1		
140	01123-50814	BOLT	2	2		
150	01123-50816	BOLT	1	1		
160	01123-50820	BOLT	1	1		

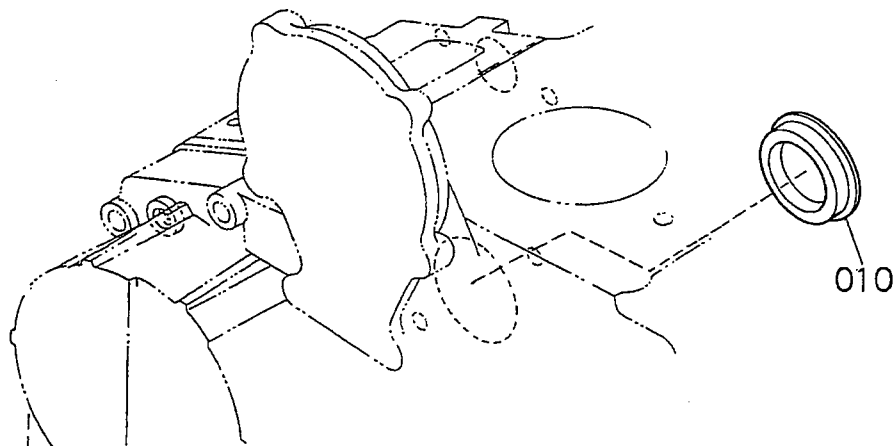




16665-014-10

A:V1505-EB-FISHER-1 B:V1505-B-FISHER-1

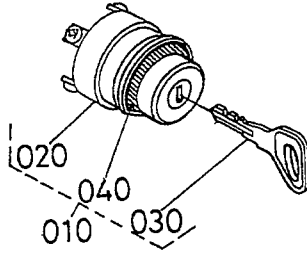
REF.No.	PART No.	PART NAME	Q' TY/S. No.		I. C.	REMARKS
			A	B		
010	16616-1162-0	PIPE, INLET	1	1		
020	15401-1172-0	BAND, PIPE	1	1		
030	15221-1172-0	BAND, PIPE	1	1		



1K571-016-10

A:V1505-EB-FISHER-1 B:V1505-B-FISHER-1

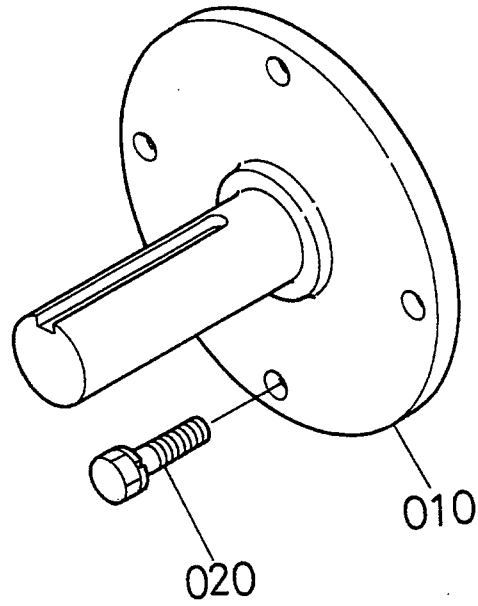
REF.No.	PART No.	PART NAME	Q' TY/S. No.		I. C.	REMARKS
			A	B		
010	16264-8315-2	COVER, HYDRAULIC PUMP	1	1		



17142-004-10

A:V1505-EB-FISHER-1 B:V1505-B-FISHER-1

REF.No.	PART No.	PART NAME	Q' TY/S. No.		I. C.	REMARKS
			A	B		
010	66706-5512-0	ASSY SWITCH, STARTER	1	1		
020	66711-5513-0	SWITCH, STARTER	1	1		
030	66711-5524-0	KEY, START	2	2		
040	66706-5515-0	LABEL, STARTER SWITCH	1	1		

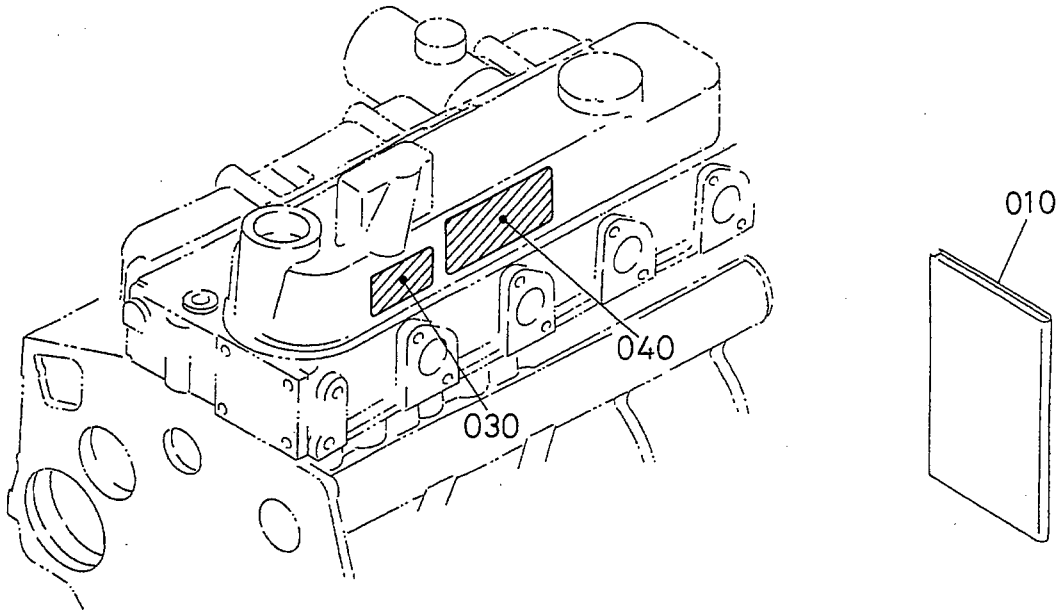


16623-011-10

A:V1505-EB-FISHER-1 B:V1505-B-FISHER-1

REF.No.	PART No.	PART NAME	Q' TY/S. No.		I. C.	REMARKS
			A	B		
010	16616-8451-0	SHAFT, PULLEY	1	1		OPTION
020	01133-51028	BOLT	4	4		OPTION





1G645-010-10

A:V1505-EB-FISHER-1 B:V1505-B-FISHER-1

REF.No.	PART No.	PART NAME	Q' TY/S. No.		I. C.	REMARKS
			A	B		
010	16622-8916-4	MANUAL, INSTRUCTION	1	1		
020	-----	BLANK	-	-		
030	19426-8790-3	LABEL	1	1		
040	19426-8788-0	LABEL, INSTRUCTION	1	1		

NUMERICAL INDEX

PART No.	LOCATION No.	PART No.	LOCATION No.	PART No.	LOCATION No.	PART No.	LOCATION No.
01023-50610	C03-L-090	04512-50060	B10-R-190	15261-0337-0	B02-L-090	15841-5386-0	B11-L-130
01023-50612	B01-R-030		B12-R-040	15261-1336-0	C03-L-050	15841-7302-0	B01-L-220
	B07-L-110		C01-L-250	15261-9119-0	B06-R-050	15841-9104-0	B02-R-150
	C01-L-210	04512-50080	C02-R-090	15261-9201-0	C03-L-120	15841-9150-0	B09-L-060
01023-50614	B05-L-090	04512-50100	B13-R-060	15261-9401-0	C03-L-130	15841-9202-0	B07-R-030
	B10-L-130	04612-00090	B10-L-100	15261-9601-0	B01-L-040		B08-L-030
01023-50616	B05-L-160	04814-00090	B04-L-030		B02-L-060		B08-L-080
	B10-R-140	04814-00100	B10-R-040	15263-1237-0	C07-L-010	15841-9232-0	B09-L-070
	B13-R-080	04814-00150	B02-R-220	15272-7202-0	C01-L-020	15841-9233-0	B07-R-040
	B16-L-070	04814-00160	B01-R-100	15272-7242-0	C02-R-020		B07-R-090
01023-50618	B07-L-070	04814-06100	B02-R-210	15291-4301-0	B12-L-010	15841-9233-0	B08-L-040
	C03-R-030	04814-10280	B05-R-170	15291-4320-0	B12-L-030		B08-L-090
01023-50620	B04-R-080	04814-50300	B03-L-120	15291-8776-0	B12-L-090	15841-9311-0	B09-R-220
01023-50625	B04-R-070	05411-00420	B10-R-050	15321-9626-0	B02-L-050	15841-9402-2	C03-L-160
01023-50630	C03-R-040	05411-00428	C03-L-140	15401-1172-0	C05-L-020	15841-9457-0	B09-R-090
01023-50645	B02-R-120	05515-61000	C01-L-120	15451-9627-0	B01-L-020	15841-9602-0	B15-R-020
01023-50655	B02-R-140	05712-00518	B05-L-070	15451-9667-0	B01-R-050	15841-9665-0	B09-R-250
	B16-L-080	06311-55030	B16-L-030	15471-5798-0	B10-R-100	15841-9666-0	B09-R-270
01023-50680	B16-R-090	07715-00201	B02-R-070	15501-7240-0	C02-R-010	15841-9676-0	B09-R-070
01023-60650	B02-R-130	07715-00401	B05-R-110	15501-7247-0	C02-R-060	15852-3314-0	B03-L-110
01023-60650	C03-R-050	08101-06304	B07-L-220	15501-7271-0	C02-R-040	15852-5285-0	B12-R-010
01053-50614	C01-L-230	08103-06202	B07-L-020	15511-6376-0	B15-L-190	15862-9143-0	B09-R-110
01053-50618	B10-R-150	08103-06204	B07-L-030	15511-9666-0	B15-L-240	15876-7415-0	C02-L-040
01123-50814	B02-L-030	09318-89039	C01-R-060	15521-2353-0	B06-L-210	15881-6404-0	B14-L-050
	B04-L-040	11460-6307-0	B15-L-030	15521-2395-0	B06-L-210	15881-6409-0	B14-L-190
	C04-R-140	11460-6311-0	B15-L-140	15521-2396-0	B06-L-210	15881-6411-0	B14-L-020
01123-50816	B01-R-090	11460-6312-0	B15-L-160	15521-9361-0	B05-L-050	15881-6415-0	B14-L-040
	C04-R-150	11460-6327-0	B15-L-120	15521-9602-0	B01-L-070	15881-6426-0	B14-L-120
01123-50820	C04-R-160	11460-6332-0	B15-L-180	15527-7246-0	C02-R-070	15881-6431-0	B14-L-180
01123-50822	C01-L-170	11460-6339-0	B15-L-100	15531-7243-2	C02-R-030	15881-6433-0	B14-L-200
01123-50825	B12-L-100	11460-6350-0	B15-L-040	15596-7271-0	C01-L-060	15881-6460-0	B14-L-280
01123-50830	B13-R-030	11460-6353-0	B15-L-050	15601-9665-0	B07-R-050	15881-6471-0	B14-L-100
	B14-R-020	11460-9331-0	B15-L-170		B07-R-100	15881-6477-0	B14-L-070
	C01-L-180	11470-6338-0	B15-L-090		B08-L-050	15881-6478-0	B14-L-130
01123-50835	B16-L-140	12581-4301-2	B12-L-120		B08-L-100	15881-6480-0	B14-L-060
	C04-R-090	13801-9410-0	B15-L-220		B10-R-160	15881-6481-0	B14-L-080
	C04-R-120	14182-9203-0	B14-L-270		B11-L-030	15881-9104-0	B14-L-240
01133-51028	C06-R-020	14971-4275-0	B11-L-050	15741-1108-3	C04-R-020	15881-9105-0	B14-L-260
01173-51085	B13-R-040	15000-3692-0	C04-R-110	15741-1147-0	C04-R-060	15881-9201-0	B14-L-030
01311-10614	B08-R-030	15000-3693-0	C04-R-100	15741-9262-0	C04-R-040	15881-9202-0	B14-L-250
01311-10620	B09-L-050	15021-3366-0	B01-L-200	15741-9443-0	C04-R-050	15881-9301-0	B14-L-110
01513-50870	C02-R-080	15108-4329-0	B12-L-080	15841-3901-0	B15-R-010	15881-9302-0	B14-L-210
01754-50620	C02-L-030	15108-4361-0	B12-L-050	15841-4250-0	B11-L-040	15881-9303-0	B14-L-220
01754-50625	B16-R-080	15108-4378-0	B12-L-060	15841-5103-0	B09-R-030	15881-9304-0	B14-L-230
02056-50060	B02-R-180	15108-7238-0	C01-L-080	15841-5107-0	B09-R-130	15951-9666-0	B03-L-100
	B10-R-180	15111-7218-0	C01-L-100	15841-5120-0	B09-R-100	15952-9233-0	B03-L-090
	B12-R-030	15111-7219-0	C01-L-110	15841-5123-0	B09-R-040	16030-5105-2	B09-R-020
	C01-L-240	15111-7220-0	C01-L-090	15841-5124-0	B09-R-050	16030-5132-0	B09-R-240
02156-50080	C02-R-100	15221-0349-0	B01-L-030	15841-5125-0	B09-R-140	16032-5300-0	B11-L-060
02761-50040	B11-L-170	15221-1172-0	C05-L-030	15841-5127-0	B09-R-170		B11-R-010
03024-50510	B03-L-080	15221-3361-0	B01-L-190	15841-5128-0	B09-R-160	16032-5316-0	B11-R-060
03024-50520	B11-L-140	15221-3370-0	B01-L-210	15841-5129-0	B09-R-180	16032-5317-0	B11-R-040
04011-50100	B13-R-050		B02-L-120	15841-5135-0	B09-R-260	16032-5323-0	B11-R-030
04011-50180	B02-R-030	15221-3375-0	B01-R-060	15841-5136-0	B11-L-020	16032-5328-0	B11-R-070
04014-50060	C01-L-260	15221-4317-0	B12-L-020	15841-5138-0	B09-R-230	16032-5335-0	B11-R-050
04015-50060	C01-L-200	15221-4321-0	B12-L-040	15841-5149-0	B09-R-190	16032-5361-0	B11-R-090
04015-50080	B13-R-070	15231-3396-0	B01-L-130	15841-5156-0	B09-R-080	16032-5390-0	B11-L-180
04512-50060	B02-R-190	15231-7311-0	C01-L-040	15841-5362-2	B11-L-070		B11-R-005
	B08-R-040	15231-9669-0	C01-L-050		B11-R-120	16032-9203-0	B11-R-020
	B09-L-080	15241-3229-0	B02-R-040	15841-5385-0	B11-L-120	16032-9404-0	B11-R-080

## NUMERICAL INDEX

PART No.	LOCATION No.	PART No.	LOCATION No.	PART No.	LOCATION No.	PART No.	LOCATION No.
16032-9810-0	B11-R-100	16241-1311-0	C03-L-010	16241-5621-0	B10-L-140	16271-3209-2	B03-R-010
16032-9850-0	B11-R-110	16241-1312-0	C03-L-020	16241-5625-0	B10-L-110	16271-4250-2	B11-L-010
16032-9851-0	B11-R-110	16241-1328-0	C03-L-070	16241-5633-0	B10-L-090	16271-5122-0	B09-R-060
16032-9852-0	B11-R-110	16241-1333-0	C03-L-040	16241-5634-0	B10-L-150	16271-5143-0	B09-R-150
16032-9853-0	B11-R-110	16241-1354-0	B02-L-070	16241-5716-0	B10-R-030	16271-5371-2	B11-L-080
16032-9854-0	B11-R-110	16241-1355-0	B02-L-080	16241-6406-0	B14-L-140	16271-5372-2	B11-L-090
16032-9855-0	B11-R-110	16241-1403-2	C03-L-190	16241-6423-0	B14-L-150	16271-5373-2	B11-L-100
16032-9856-0	B11-R-110	16241-1423-0	C03-L-200	16241-6442-0	B13-R-020	16271-5374-2	B11-L-110
16032-9857-0	B11-R-110	16241-1424-0	C03-L-210	16241-6490-0	B14-L-170	16271-5531-3	B07-L-130
16032-9858-0	B11-R-110	16241-1426-4	C03-L-080	16241-7287-0	C01-R-020	16271-5535-0	B01-L-180
16032-9859-0	B11-R-110	16241-1431-0	C03-L-170	16241-7303-2	B16-R-010	16271-5541-0	B07-L-230
16040-1617-0	B07-L-010	16241-1435-0	C03-L-100	16241-7305-2	B16-R-040	16271-5602-3	B10-R-080
16040-5209-2	B09-L-030	16241-1441-0	C03-L-110	16241-7334-0	B16-R-060	16271-5648-0	B10-L-010
16040-5211-2	B09-L-030	16241-1443-0	C03-L-150	16241-7335-0	B16-L-090	16271-5715-0	B10-R-020
16040-5212-2	B09-L-040	16241-1450-0	B03-L-010	16241-7336-0	B16-L-100	16271-5772-0	B10-R-090
16060-0304-2	B02-L-040	16241-1452-0	B03-L-020	16241-7337-0	B16-L-020	16271-5774-0	B10-R-120
16060-2111-0	B05-R-010	16241-1511-0	B05-L-020	16241-7351-0	B16-R-050	16271-6556-0	B11-L-160
16060-2191-0	B05-R-010	16241-1627-0	B05-L-080	16241-7352-0	B16-R-020	16271-8745-0	C04-R-070
16060-5101-0	B09-L-020	16241-1632-0	B07-L-100	16241-7355-0	B16-R-030	16271-9201-0	C04-L-040
	B09-R-010	16241-1651-0	B05-L-060	16241-7425-0	C02-L-020	16271-9523-0	B05-R-130
16060-5106-0	B09-R-200	16241-2131-0	B05-R-030	16241-9102-0	B13-R-120	16271-9616-0	B01-L-090
16060-5154-0	B09-R-210	16241-2133-0	B05-R-040	16241-9104-0	B02-R-160	16272-5115-0	B07-L-040
16060-5604-4	B10-L-040	16241-2198-0	B05-R-060	16241-9149-0	C04-L-030	16282-0406-0	B04-R-140
16060-5605-4	B10-L-030	16241-2201-2	B05-R-050	16241-9202-0	B10-R-070	16282-2301-3	B05-R-090
16219-7326-0	B16-L-120	16241-2214-0	B05-R-070	16241-9233-0	B07-L-080	16282-3650-0	B04-L-020
16221-5442-0	B07-R-060	16241-2231-0	B05-R-080	16241-9312-0	B02-R-100	16282-5501-3	B07-L-120
	B08-L-060	16241-2297-0	B05-R-080	16241-9401-0	B10-L-080	16282-5532-0	B07-L-150
	B08-L-110	16241-2298-0	B05-R-080	16241-9402-0	B10-R-060	16282-9601-0	B01-L-170
16221-5628-0	B01-L-160	16241-2325-0	B05-R-160	16241-9523-0	B07-L-090	16282-9701-0	B13-R-130
16221-7327-0	B16-L-130	16241-2328-0	B05-R-150	16241-9569-0	B09-L-010	16285-5409-0	B07-R-010
16221-9452-0	B01-L-120	16241-2347-0	B05-R-180	16241-9601-0	B01-L-060	16285-5409-0	B08-L-010
16221-9453-0	B01-L-110	16241-2348-0	B05-R-190	16241-9602-0	B02-R-020	16285-5410-2	B07-R-020
16222-5613-0	B10-L-060	16241-2391-0	B05-R-180	16241-9626-2	B01-L-150		B08-L-020
16222-5751-0	B10-R-110	16241-2392-0	B05-R-180	16245-9153-0	B02-R-170	16285-5641-2	B10-L-020
16225-9451-0	B01-L-100	16241-2393-0	B05-R-190	16245-9154-0	B02-R-230	16285-6303-0	B15-L-070
16226-3211-0	B01-R-080	16241-2394-0	B05-R-190		B10-R-170	16285-6304-0	B15-L-060
16231-6401-0	B13-R-010	16241-2411-0	B05-R-120	16249-7428-0	B13-R-110	16285-6320-0	B15-L-110
	B14-L-010	16241-2425-0	B05-L-150	16259-6583-0	B13-R-170	16285-6357-0	B15-L-250
16231-6402-0	B14-L-090	16241-2432-0	B05-L-140	16261-0404-0	B04-R-090	16285-9201-0	B15-L-200
16231-6485-0	B14-L-160	16241-2436-0	B05-L-120	16261-0405-0	B04-R-120	16285-9805-0	B15-L-280
16241-0175-0	B02-L-010	16241-2437-0	B05-L-130	16261-1555-0	B05-L-010	16286-3375-0	B01-R-040
16241-0177-0	B02-L-020	16241-2516-0	B06-R-030	16261-2105-0	B05-R-020	16292-0331-0	B02-L-110
16241-0345-0	B02-L-100	16241-3365-0	B01-L-140	16261-2109-0	B05-R-020	16292-2349-0	B05-R-200
16241-0409-2	B04-R-010	16241-3507-0	B02-R-080	16261-7343-0	B16-R-070	16292-2386-0	B05-R-200
16241-0421-2	B02-R-200	16241-3513-0	B02-R-090	16261-9671-0	B16-L-040	16292-2387-0	B05-R-200
16241-0446-0	B04-R-050	16241-3563-0	B05-R-140	16264-0413-0	B02-R-110	16299-1236-0	C04-L-020
16241-0454-0	B04-R-020	16241-3693-0	B02-R-060	16264-0436-0	B04-R-030	16299-5626-0	B10-L-120
	B04-R-100	16241-3695-0	B02-R-050	16264-0482-0	B04-R-060	16299-5701-5	B10-R-010
	B04-R-130	16241-5111-3	B07-L-050	16264-5214-0	B12-R-020	16299-6015-0	B08-R-020
	B04-R-150	16241-5119-0	B07-L-060	16264-5721-0	B10-R-130	16299-7411-0	C02-L-010
16241-0456-0	B04-R-110	16241-5412-0	B07-R-070	16264-7292-0	B16-L-060	16611-3641-2	B04-L-010
16241-0462-0	B06-R-040		B08-L-070	16264-8315-2	C05-R-010	16611-6302-0	B15-L-080
16241-0481-3	B04-R-040	16241-5506-2	B07-L-170	16264-8334-2	B02-R-240	16611-6345-0	B15-L-210
16241-0514-0	B03-L-040	16241-5526-0	B07-L-180	16266-7294-0	C01-R-050	16611-6366-0	B15-L-260
16241-0515-0	B03-L-050	16241-5527-0	B07-L-160	16271-0402-0	B02-R-010	16611-9202-0	B15-L-230
16241-0537-0	B03-L-070	16241-5539-2	B07-L-140	16271-1177-0	C03-R-010	16612-6310-0	B15-L-270
16241-0551-0	B03-L-130	16241-5545-0	B07-L-200	16271-1324-0	C03-L-030	16614-2501-2	B06-R-010
16241-0555-0	B03-L-030	16241-5546-3	B07-L-210	16271-1601-0	B05-L-030	16616-0150-0	B01-R-010
16241-0567-0	B03-L-060	16241-5555-4	B07-L-240	16271-2401-0	B05-L-100	16616-1101-3	C04-R-010
16241-1182-0	C03-R-020	16241-5615-3	B10-L-070	16271-2498-0	B05-L-110	16616-1135-0	C04-R-080



## NUMERICAL INDEX

PART No.	LOCATION No.	PART No.	LOCATION No.	PART No.	LOCATION No.	PART No.	LOCATION No.
16616-1157-0	C04-R		130				
16616-1162-0	C05-L		010				
16616-1231-2	C04-L		010				
16616-1386-0	B13-R		090				
16616-7213-2	C01-L		130				
16616-7214-0	C01-L		140				
16616-7215-0	C01-L		160				
16616-7216-2	C01-L		150				
16616-7412-0	C01-L		220				
16616-8451-0	C06-R		010				
16622-8916-4	C07-R		010				
16626-0101-4	B01-L		010				
16626-7206-0	C01-L		010				
16626-7233-0	C01-L		030				
16626-7285-0	C01-R		040				
16683-9602-0	B01-L		050				
16813-6382-0	B06-R		020				
16851-6551-0	B11-L		150				
17203-7286-0	C01-R		010				
17391-9616-0	B01-L		080				
17454-6001-0	B08-R		010				
17476-5203-2	B13-L		010				
19008-7270-0	B16-L		010				
19077-5365-0	B11-L		075				
	B11-R		130				
19077-8724-0	C01-L		025				
19202-2354-0	B06-L		220				
19202-2397-0	B06-L		220				
19202-2398-0	B06-L		220				
19212-6310-0	B15-L		130				
19212-9713-0	B15-L		150				
19222-4328-0	B12-L		070				
19237-6591-0	B13-R		160				
19416-4343-3	B12-L		110				
19416-7225-0	C01-L		190				
19426-8788-0	C01-L		070				
	C07-R		040				
19426-8790-3	C07-R		030				
19434-7301-0	B16-L		110				
19484-5544-0	B07-L		190				
19484-5544-0	B10-L		050				
19838-6583-0	B13-R		140				
19872-6588-0	B13-R		150				
1C010-1315-0	C03-L		060				
1G031-5421-0	B07-R		080				
1G031-9665-0	B07-R		110				
36200-8272-0	C01-R		030				
37560-6301-0	B14-R		010				
	B15-L		010				
37560-6308-0	B15-L		020				
51601-3767-0	C07-L		020				
66706-5512-0	C06-L		010				
66706-5515-0	C06-L		040				
66711-5513-0	C06-L		020				
66711-5524-0	C06-L		030				
68111-4239-0	C02-R		050				
6C090-5896-0	B01-R		070				

PIES.No.		EDK0000393	
BLOCK No.	LINE No.	A(1)	B(2)
01	01	1G645-26000 V1505-EB-FISHER-1	16616-16000 V1505-B-FISHER-1

103·KS·NA×KSI·0·KSI

# **KUBOTA**

## **THE BASIC NECESSITIES GIANT**

"Technology for the Needs of Tomorrow" is the ambition of everyone at KUBOTA. Through research and the development of new products for agriculture, industry, construction, and many other areas of modern life, we at KUBOTA hope to realize this goal.